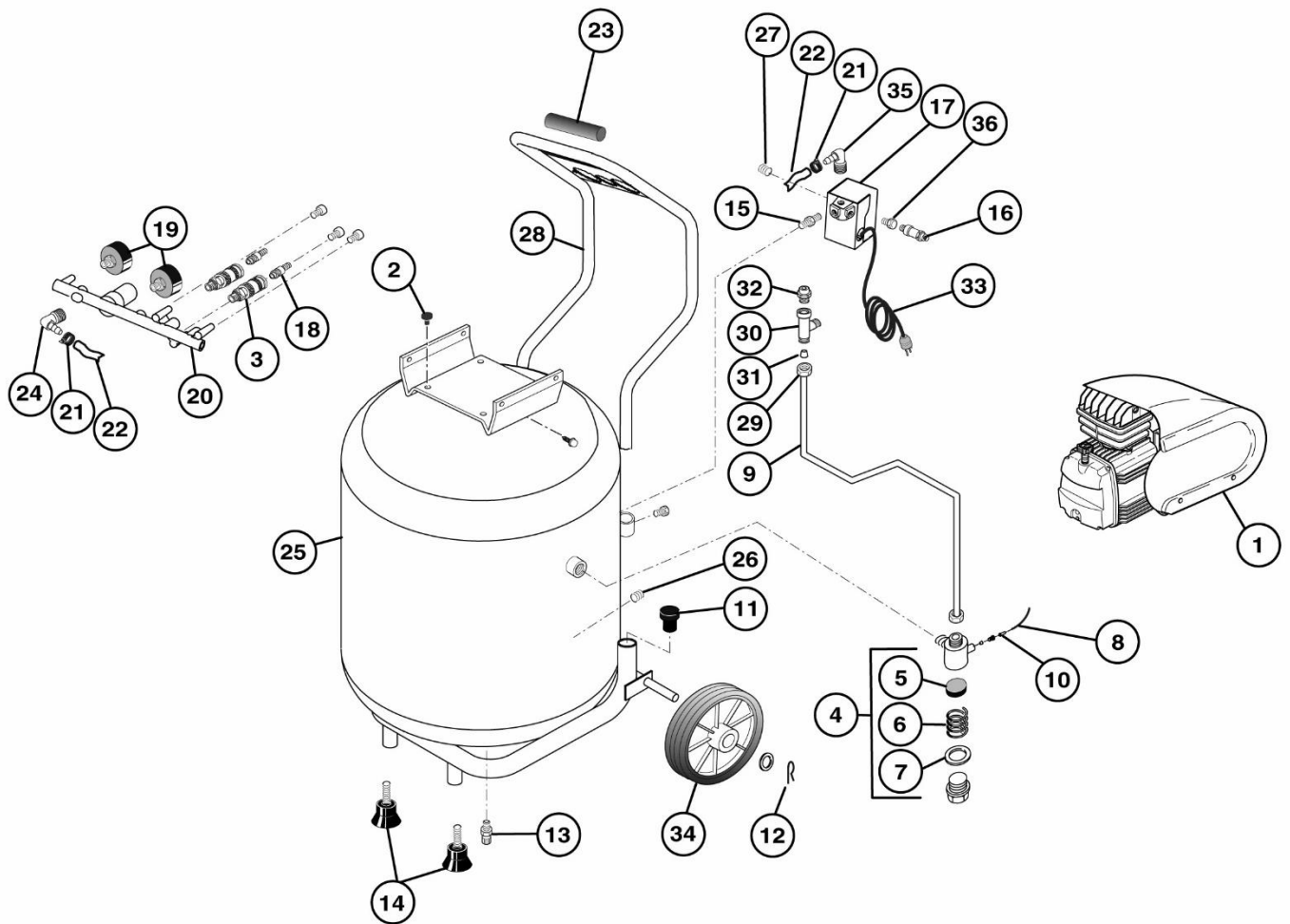
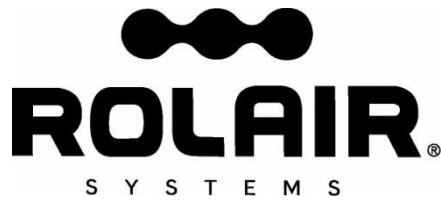


# ROLAIR®

SCHEMATIC FOR  
FC250090L






**PARTS LIST FOR FC250090L**

Schematic #	Description	Part #	Qty.
1	Complete Motor/Pump Assembly	PMP11MK256FC	1
2	Vibration Dampener	FC199575000	4
3	Quick Disconnect	U9001	2
4	Check Valve	FC347043000	1
5	Disc*	NLA	1
6	Spring	FC047113002	1
7	O-Ring	FC010024000	1
8	Nylon Tubing	FC046001000	1.5'
9	Discharge Tube	FC172QC0001	1
10	Brass Insert	FC011304000	2
	Brass Compressor Ring	011077000F	2
11	Rubber Plug	FC020093000	2
12	Hair Pin Cotter	FC127QC4018	2
13	Drain Valve	U6006	1
14	Rubber Foot	FC020004000	2
15	Nipple	FC011080000	1
16	Safety Relief Valve	FC047208000	1
17	Pressure Switch	FC321099000	1
18	Plug	FC011731001	2
19	Gauge	FC330063001	2
20	Manifold	FC127QC0315	1
21	Clamp	FC127QC0290	2
22	Tubing	178A	1.5'
23	Handle Grip	FC020306001	1
24	Elbow	FC127QC0181	1
25	Tank Assembly	FC173079001V88	1
26	Plug	FC011008000	1
27	Plug	FC011018000	1
28	Handle Assembly	FC199000045V51	1
29	Lock Nut	FC011117002	1
30	Discharge Tee	FC199617000	1
31	Ring	FC011117000	1
32	Cold Start Valve	FC011158000	1
33	Cord with Plug	FC164A08400	1
34	Wheel	FC020296000	2
35	Elbow	FC011100013	1
36	Nipple	FC199000037	1

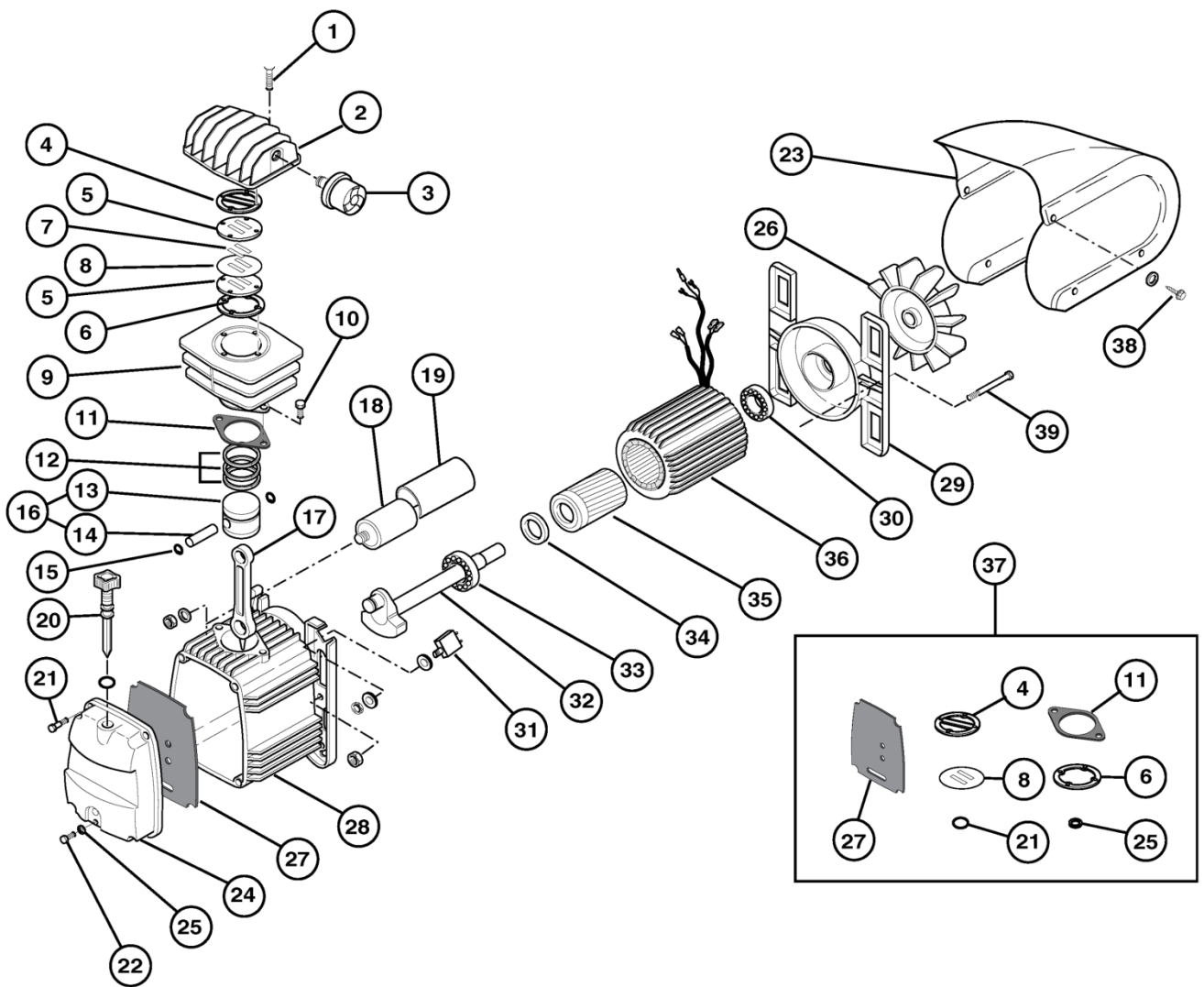
\*No longer available, must order complete check valve.

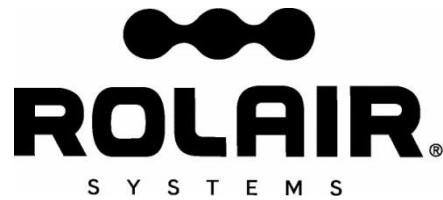




# ROLAIR®

SCHMATIC FOR  
PMP11MK256FC





### PARTS LIST FOR PMP11MK256FC

Schematic #	Description	Part #	Qty.
1	Bolt	FC014002021	4
2	Head	FC116022002	1
3	Intake Filter Assembly	FC317081000	1
4	Gasket	U1100	1
5	Valve Plate	U1103	2
6	Gasket	U1102	1
7	Reed Valve	U1104	2
8	Gasket	U1101	1
9	Cylinder	FC116QR0001	1
10	Bolt	FC014011064	2
11	Gasket	FC116091016	1
12	Ring Set*	NLA	1
13	Piston*	NLA	1
14	Piston Pin	U1115	1
15	Snap Ring	U1116	2
16	Piston Assembly	U1105	1
17	Connecting Rod	U1106	1
18	Capacitor	U1107	1
19	Capacitor Cover	FC116034013	1
20	Dipstick	U1110	1
21	Screw	FC014013021	4
22	Drain Plug	FC014013024	1
23	Shroud	FC116117030	1
24	Crankcase Cover	FC116091002	1
25	O-Ring	FC010072000	1
26	Fan	U1109	1
27	Diaphragm	FC116091011	1
28	Motor Housing	FC116091001	1
29	End Bell	U1108	1
30	Bearing	FC033118000	1
31	Manual Reset Button	FC008331000	1
32	Crankshaft	FC116022011	1
33	Bearing	U1114	1
34	Seal	FC010029000	1
35	Rotor	FC134102000	1
36	Stator	FC416GH3652	1
37	Gasket Set	FC216093003	1
38	Screw	FC014006121	2
39	Bolt	FC116011038	2
	Valve Kit (Includes Ref#4,6,7,8)	VKMK246	1

\*Order Ref#16, Part#U1105

