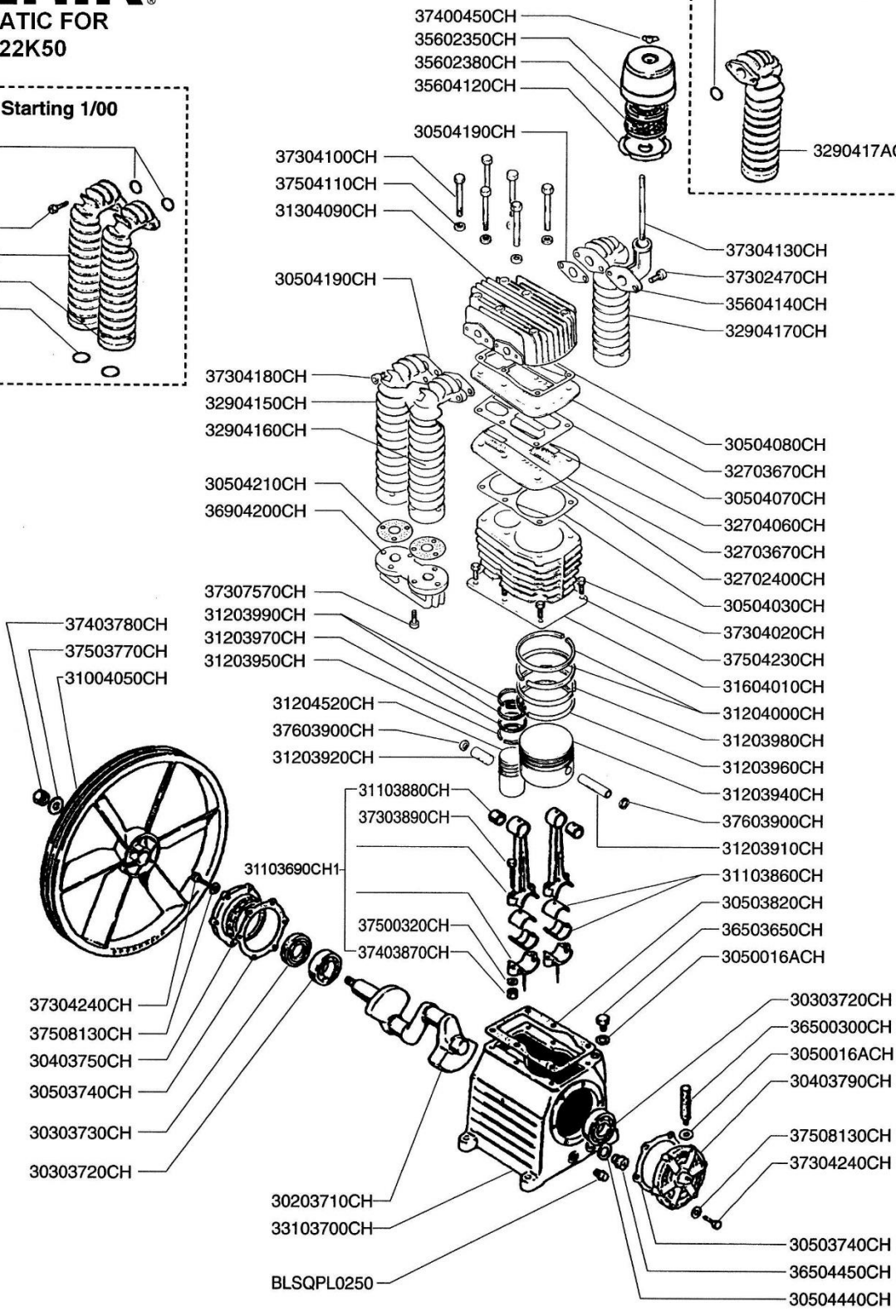
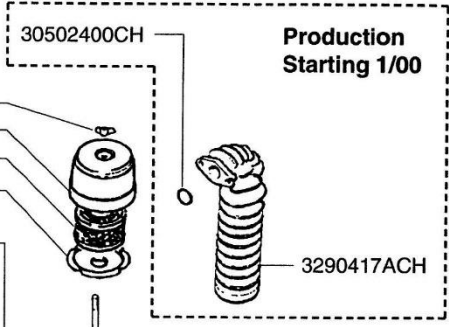
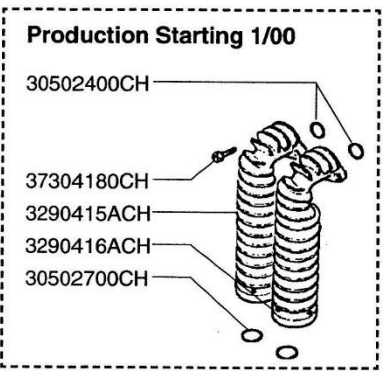
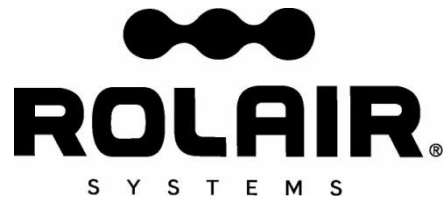


# ROLAIR®

SCHMATIC FOR  
PMP22K50





### PARTS LIST FOR PMP22K50

Description	Part #	Qty.	Description	Part #	Qty.
Crankshaft	30203710CH	1	Filter Base***	35604120CH	NLA
Bearing	30303720CH	2	Elbow	35604140CH	1
Oil Seal	30303730CH	1	3/8" Breather/Oil Fill Plug	36500300CH	1
Bearing Carrier	30403750CH	1	Oil Fill Plug	36503650CH	1
Bearing Carrier	30403790CH	1	Sight Gauge (Includes 30504440CH Gasket)	36504450CH	1
Gasket	3050016ACH	2	Connector	36904200CH	1
Gasket	30503740CH	2	Bolt	37302470CH	2
Gasket	30503820CH	1	Bolt	37303890CH	4
Gasket	30504030CH	1	Bolt	37304020CH	6
Gasket	30504070CH	1	Bolt	37304100CH	6
Gasket	30504080CH	1	Tension Rod	37304130CH	1
Gasket	30504190CH	3	Bolt	37304180CH	4
Gasket	30504210CH	2	Bolt	37304240CH	12
Gasket	30504440CH	1	Bolt	37307570CH	6
Flywheel	31004050CH	1	Bolt	37400450CH	1
Connecting Rod Assembly	31103690CH1	2	Wing Nut	37403780CH	1
Bearing Shell	31103860CH	2	Nut	37403870CH	4
Bushing*	31103880CH	2	Nut	37500320CH	4
Piston Pin – LP	31203910CH	1	Washer	37508130CH	12
Piston Pin – HP	31203920CH	1	Washer	37503770CH	1
Piston – LP	31203940CH	1	Washer	37504110CH	6
Ring - HP	31203950CH	1	Washer	37504230CH	6
Ring - LP	31203960CH	1	Washer	37603900CH	4
Ring - HP	31203970CH	1	Snap Ring	BLSQPL0250	1
Ring - LP	31203980CH	1	Plug	K50RINGS	1
Ring - HP	31203990CH	2	Ring Set	K50GASKETS	1
Ring - LP	31204000CH	2	Gasket Set	5000VK50	1
Piston – HP	31204520CH	1	Valve Plate Assembly (Reed Valves, Valve Plates & Upper 3 Gaskets)	VKK50	1
Head	31304090CH	1	Valve Kit (Reed Valves & Upper 3 Gaskets)		
Cylinder	31604010CH	1			
Valve – HP	32702400CH	2	<b>Intercooler/Aftercooler Parts Starting 1/00</b>		
Valve Plate	32703670CH	2	O-Ring	30502400CH	3
Valve – LP	32704060CH	2	O-Ring	30502700CH	2
Left Intercooler**	NLA	1	Left Intercooler	3290415ACH	1
Right Intercooler**	NLA	1	Right Intercooler	3290416ACH	1
Aftercooler	32904170CH	1	Aftercooler	3290417ACH	1
Crankcase	33103700CH	1	Bolt	37304180CH	6
Filter Cover***	35602350CH	NLA			
Filter Element	35602380CH	1			

\*Bushing is not machined to fit piston pin if ordered separate from connecting rod.

\*\* Use new style intercoolers with corresponding o-rings. Due to a difference in length, if one older intercooler is replaced with the newer o-ring style, both must be replaced.

\*\*\* If an air filter cover or base is needed order part number SP81000. Includes cover, base, and element.

