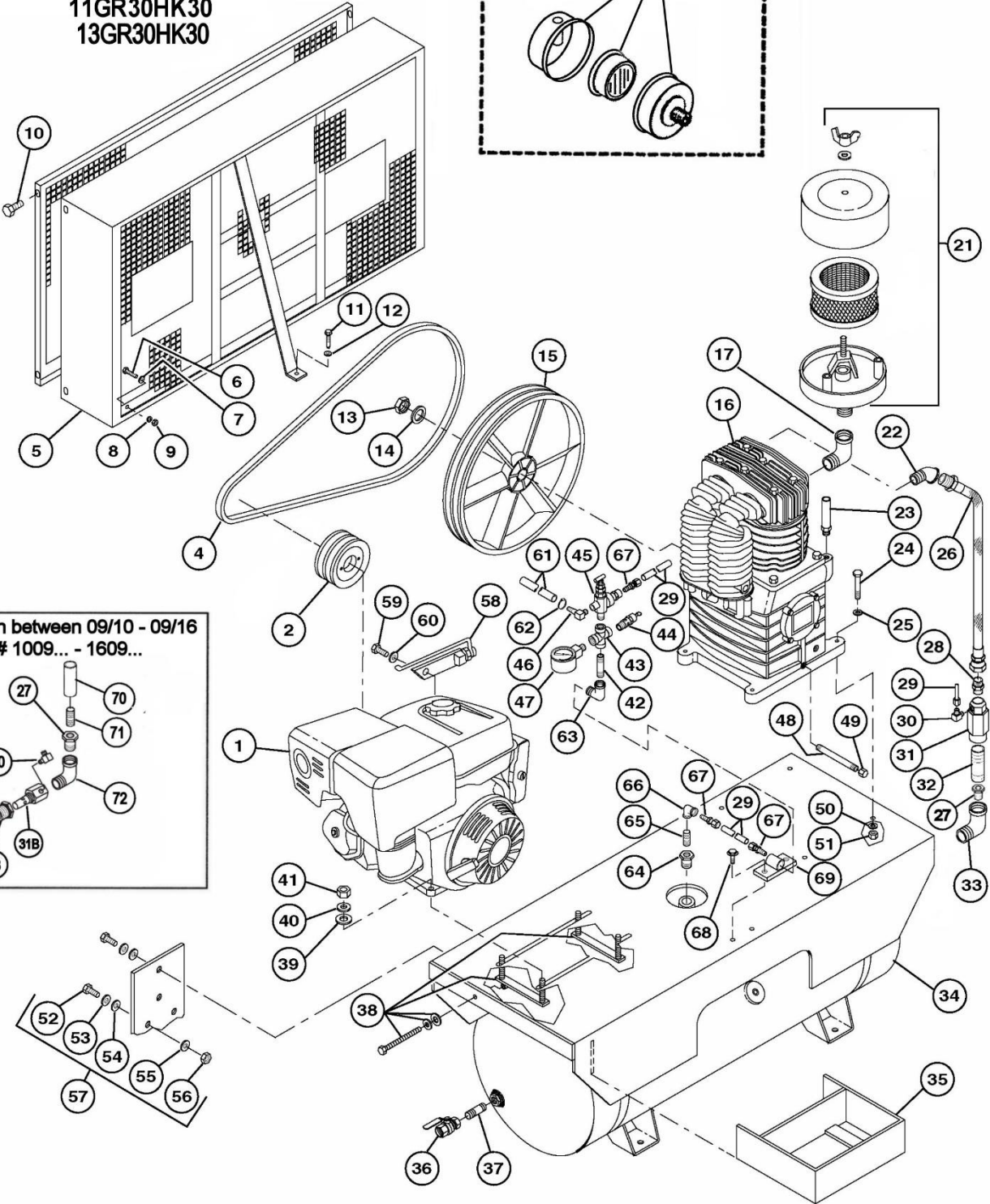
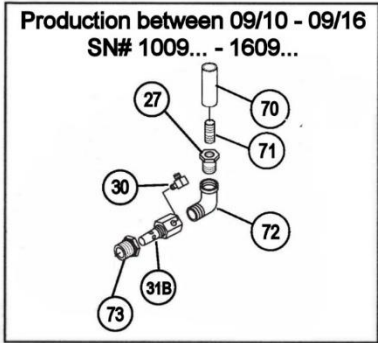
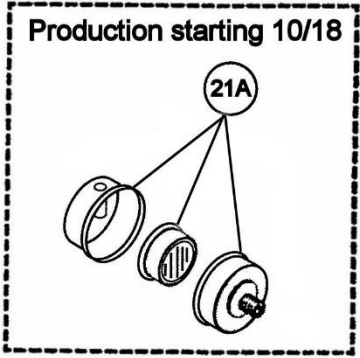


**ROLAIR**  
 SCHEMATIC FOR  
 11GR30HK30  
 13GR30HK30



# PARTS LIST FOR 11GR30HK30 & 13GR30HK30

Sch #	Description	Part #	Qty.	Sch #	Description	Part #	Qty.	
1	Engine – Honda GX340 Kohler CH11S Briggs 254427	ENG11H01 ENG11KOC1 ENG11BR1	1 1 1	31B	Check Valve*	CV6X6TF	1	
				32	Nipple	BLNP0500X1500	1	
				33	Elbow	BLEL0500X90S	1	
				34	Tank Assembly	TNK030AH	1	
2	Pulley – MDL 11GR30HK30 Pulley – MDL 13GR30HK30	PU2AK46X1000 PU2AK54X1000	1 1	35	Battery Tray	BT5250X8250	1	
				36	Shut-Off Valve	SOV0500	1	
4	Belt <b>Used prior to 8/10</b> Belt – MDL11GR30HK30 Belt – MDL13GR30HK30	BTA66 BTA70 BTA72	2 2 2	37	Nipple	BLNP0500X2000	1	
				38	Belt Tightener - Mounting Kit	SBT11HP-ANGLE	1	
				39	Washer	MIS10103	4	
5	Belt Guard	BG131ASSY	1	40	Lock Washer	MIS10100	4	
6	Bolt	MIS10023	2	41	Nut	MIS10040	4	
7	Washer	MIS10106	2	42	Nipple (used prior to 9/10) Nipple (used after 9/10)	BLNP0250X4000	1	
8	Lock Washer	MIS10098	2			BLNP0250X2500	1	
9	Nut	MIS10020	2	43	Cross	BLCR0250	1	
10	Bolt	MIS10094	5	44	Safety Relief Valve	SRV0250A200	1	
11	Bolt	MIS10023	1	45	Pilot Unloader Valve (used prior to 4/08)	131B	1	
12	Washer	MIS10106	1			Pilot Unloader Valve (used after 4/08)	131BIG	1
13	Nut	37403780CH	1		Brass Elbow (used with 131BIG only, prior to 9/10)		BREL0375X025039	1
14	Washer	37502450CH	1			Brass Straight (used with 131BIG only, after 9/10)	BRST0375X025038	1
15	Flywheel	31003040CH	1					
16	II-Stage Pump with Flywheel II-Stage Pump less Flywheel	PMP22K30CH PMP22K30CHLF	1 1					
17	Elbow	BLEL0750X90S	1	46	Brass Elbow	BREL0250X0125H16	1	
21	Intake Filter Assembly (before 10/18) Filter Element for FS14075	FS14075 431	1 1	47	Pressure Gauge	GA0250300	1	
				48	Nipple	BLNP0250X5000	1	
21A	Intake Filter Assembly (after 10/18) Filter Element for FS10072	FS10072 433	1 1	49	Cap	BLCA0250	1	
				50	Lock Washer	MIS10100	4	
				51	Nut	MIS10040	4	
22	Elbow	BLEL0750X90S	1	52	Bolt	MIS10022	4	
23	3/8" Breather/Oil Fill	36507050CH	1	53	Lock Washer	MIS10098	4	
24	Bolt	MIS10045	4	54	Washer	MIS10106	4	
25	Washer	MIS10103	4	55	Lock Washer	MIS10098	4	
26	Braided Discharge Tube <b>Used between 9/10 to 9/16</b> Braided Discharge Tube	FDT23 FDT26	1 1	56	Nut	MIS10020	4	
				57	Vibration Dampening Kit	VIBBR11GR	1	
						58	Throttle Control Kit Honda GX340 Kohler CH11S Briggs 254427	207GX340&390K1QAE 207CH11&CH14S 207BR11HP
27	Bushing	BLBS0750X0500	1	59	Bolt	MIS10041	1	
28	Brass Straight	BRST0500X0750FL	1	60	Lock Washer	MIS10100	1	
29	<b>Used prior to 4/08</b> 1/4" Nylon Tubing 1/4" Brass Nut 1/4" Brass Ring 1/4" Brass Sleeve	178D BRNT0250 BRRG0250 BRSL0250	3' 2 2 2	61	Rubber Hose	178	1	
				62	Hose Clamp	177	2	
				63	Elbow	BLEL0250X90S	1	
				64	Bushing	BLBS0750X0250	1	
				65	Nipple (Schedule 80)	BLNP0250X2500	1	
29	<b>Used after 4/08</b> Nylon Tubing 3/8" Brass Nut 3/8" Brass Ring 3/8" Brass Sleeve	NYTUBE38 BRNT0375 BRRG0375 BRSL0375	2.66' 2 2 2	66	Elbow	BLEL0250X90	1	
				67	Brass Straight	BRST0375X025038	3	
				68	Screw	MIS10094	2	
				69	Bracket	211	1	
30	<b>Used prior to 4/08</b> Brass Elbow	BREL0250X012539	1	70	Coupling	BLCPO500	1	
				71	Nipple	BLNP0500X1500	1	
30	<b>Used after 4/08</b> Brass Elbow	BREL0375X012539	1	72	Elbow	BLEL0750X90S	1	
				73	Bushing	BLBS1500X0750	1	
31	Check Valve	CV4X4L1	1					

\*See inset for reference numbers of additional plumbing parts used to facilitate this production change.