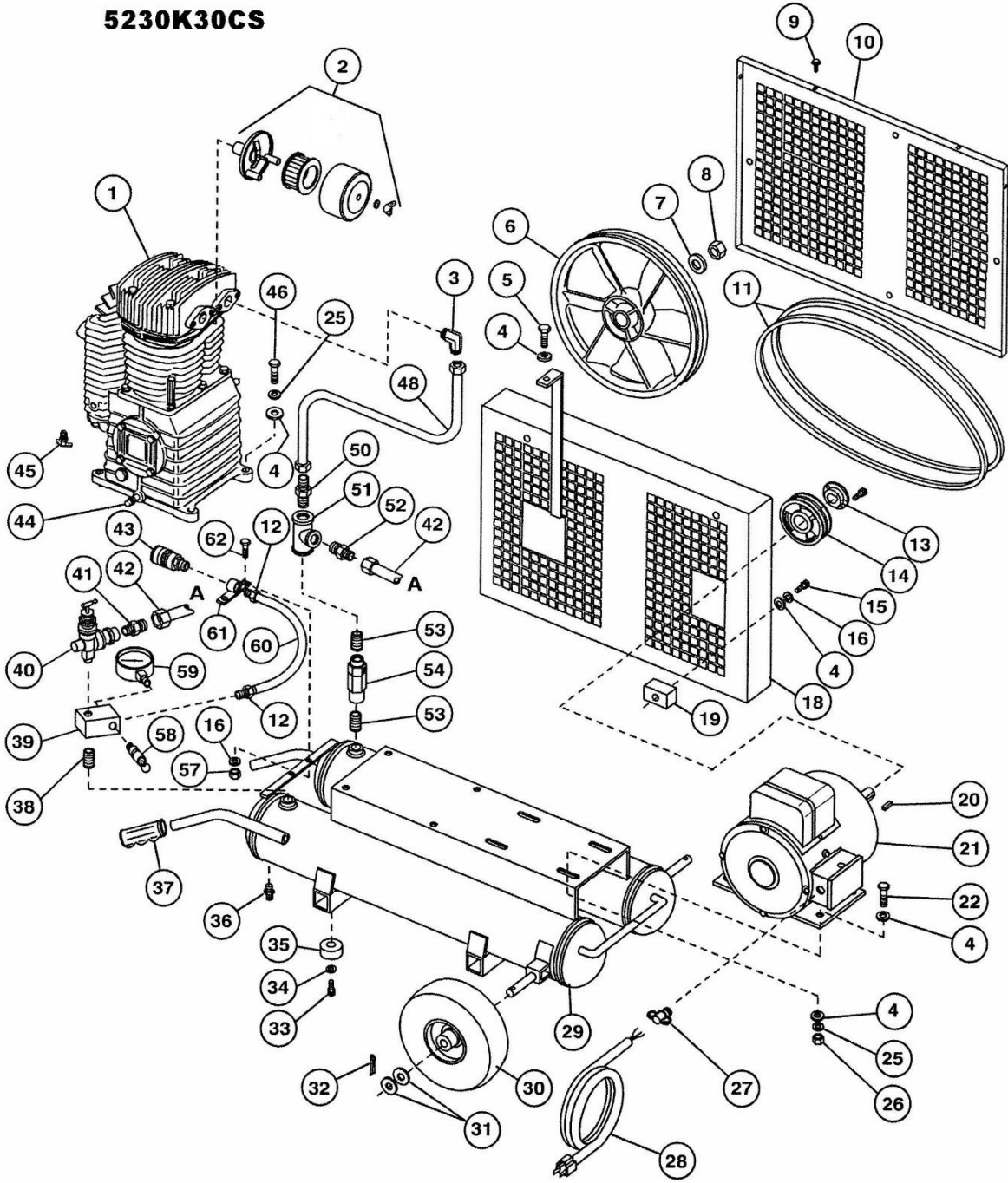
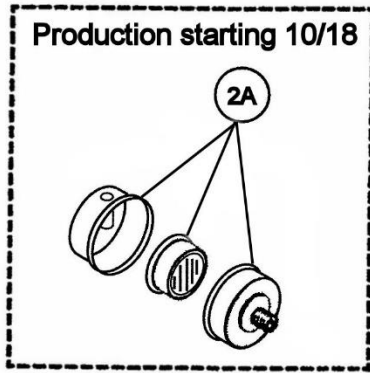
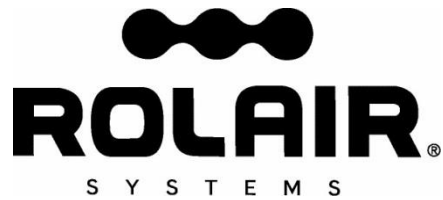


# ROLAIR®

**SCHEMATIC FOR MODELS**  
**3230K24CS**  
**4230K28CS**  
**5230K30CS**





**PARTS LIST FOR MODELS  
3230K24CS, 4230K28CS & 5230K30CS**

| Schem # | Description                                                          | Part #           | Qty. | Schem # | Description                                                                          | Part #          | Qty. |                          |                        |                 |                 |                  |             |              |             |                       |                                     |                                        |            |                         |            |          |   |                        |                                    |                 |    |       |          |   |          |   |
|---------|----------------------------------------------------------------------|------------------|------|---------|--------------------------------------------------------------------------------------|-----------------|------|--------------------------|------------------------|-----------------|-----------------|------------------|-------------|--------------|-------------|-----------------------|-------------------------------------|----------------------------------------|------------|-------------------------|------------|----------|---|------------------------|------------------------------------|-----------------|----|-------|----------|---|----------|---|
| 1       | II Stage Pump with Flywheel – Model 5230K30CS                        | PMP22K30CH       | 1    | 21      | 5 HP Motor w/Overload – Model 5230K30CS<br>3 HP Motor – Models 3230K24CS & 4230K28CS | MTRG105         | 1    |                          |                        |                 |                 |                  |             |              |             |                       |                                     |                                        |            |                         |            |          |   |                        |                                    |                 |    |       |          |   |          |   |
|         | II Stage Pump with Flywheel – Model 3230K24CS                        | PMP22K24CH       | 1    |         |                                                                                      | MTRE101         | 1    |                          |                        |                 |                 |                  |             |              |             |                       |                                     |                                        |            |                         |            |          |   |                        |                                    |                 |    |       |          |   |          |   |
|         | II Stage Pump with Flywheel – Model 4230K28CS                        | PMP22K28CH       | 1    |         |                                                                                      |                 |      |                          |                        |                 |                 |                  |             |              |             |                       |                                     |                                        |            |                         |            |          |   |                        |                                    |                 |    |       |          |   |          |   |
| 2       | Intake Filter Assembly – Model 3230K24CS (before 10/18)              | FS14050          | 1    | 22      | Bolt                                                                                 | MIS10041        | 4    |                          |                        |                 |                 |                  |             |              |             |                       |                                     |                                        |            |                         |            |          |   |                        |                                    |                 |    |       |          |   |          |   |
|         | Intake Filter Assembly – Models 4230K28CS & 5230K30CS (before 10/18) | FS14075          | 1    | 25      | Lock Washer                                                                          | MIS10100        | 4    |                          |                        |                 |                 |                  |             |              |             |                       |                                     |                                        |            |                         |            |          |   |                        |                                    |                 |    |       |          |   |          |   |
|         | Filter Element for FS14050 & FS14075                                 | 431              | 1    | 26      | Nut                                                                                  | MIS10040        | 4    |                          |                        |                 |                 |                  |             |              |             |                       |                                     |                                        |            |                         |            |          |   |                        |                                    |                 |    |       |          |   |          |   |
| 2A      | Intake Filter Assembly - Model 3230K24CS (after 10/18)               | FS10052          | 1    | 27      | Box Connector                                                                        | 161             | 1    |                          |                        |                 |                 |                  |             |              |             |                       |                                     |                                        |            |                         |            |          |   |                        |                                    |                 |    |       |          |   |          |   |
|         | Intake Filter Assembly - Models 4230K28CS & 5230K30CS (after 10/18)  | FS10072          | 1    | 28      | Cord w/220V Plug                                                                     | 175             | 1    |                          |                        |                 |                 |                  |             |              |             |                       |                                     |                                        |            |                         |            |          |   |                        |                                    |                 |    |       |          |   |          |   |
|         | Filter Element for FS10052 & FS10072                                 | 433              | 1    | 29      | Twin Tank Assembly – Model 5230K30CS                                                 | TNKASY5230K30   | 1    |                          |                        |                 |                 |                  |             |              |             |                       |                                     |                                        |            |                         |            |          |   |                        |                                    |                 |    |       |          |   |          |   |
| 3       | Brass Elbow                                                          | BRELO750X075039  | 1    | 30      | Foam-Filled Flat-Free Tire                                                           | WLS50           | 2    |                          |                        |                 |                 |                  |             |              |             |                       |                                     |                                        |            |                         |            |          |   |                        |                                    |                 |    |       |          |   |          |   |
|         |                                                                      |                  |      |         |                                                                                      |                 |      | 4                        | Washer                 | MIS10103        | 10              | 31               | Washer      | MIS10104     | 4           |                       |                                     |                                        |            |                         |            |          |   |                        |                                    |                 |    |       |          |   |          |   |
|         |                                                                      |                  |      |         |                                                                                      |                 |      |                          |                        |                 |                 |                  |             |              |             | 5                     | Bolt – Models 5230K30CS & 4230K28CS | 37308060CH                             | 1          | 32                      | Cotter Pin | 181B     | 2 |                        |                                    |                 |    |       |          |   |          |   |
|         |                                                                      |                  |      |         |                                                                                      |                 |      |                          |                        |                 |                 |                  |             |              |             |                       |                                     |                                        |            |                         |            |          |   | Bolt – Model 3230K24CS | 37301130CH                         | 1               | 33 | Screw | MIS10008 | 4 |          |   |
|         |                                                                      |                  |      |         |                                                                                      |                 |      |                          |                        |                 |                 |                  |             |              |             |                       | 6                                   | Flywheel – Model 3230K24CS & 4230K28CS | 31004620CH |                         |            |          |   | 1                      | 34                                 | Washer          |    |       |          |   | MIS10102 | 4 |
|         |                                                                      |                  |      |         |                                                                                      |                 |      |                          |                        |                 |                 |                  |             |              |             |                       |                                     |                                        |            |                         |            |          |   |                        |                                    |                 |    |       |          |   |          |   |
| 7       | Washer – Models 5230K30CS & 4230K28CS                                | 37502450CH       | 1    | 36      | Drain Valve                                                                          | 132BV           | 2    |                          |                        |                 |                 |                  |             |              |             |                       |                                     |                                        |            |                         |            |          |   |                        |                                    |                 |    |       |          |   |          |   |
|         |                                                                      |                  |      |         |                                                                                      |                 |      | Washer – Model 3230K24CS | 37500730CH             | 1               | 37              | Handle Grip      | 328         | 2            |             |                       |                                     |                                        |            |                         |            |          |   |                        |                                    |                 |    |       |          |   |          |   |
| 8       | Models 5230K30CS & 4230K28CS                                         | 37403780CH       | 1    |         |                                                                                      |                 |      | 38                       | Nipple                 | BLNP0500X1500   |                 |                  |             |              | 1           |                       |                                     |                                        |            |                         |            |          |   |                        |                                    |                 |    |       |          |   |          |   |
|         |                                                                      |                  |      |         |                                                                                      |                 |      |                          |                        |                 |                 |                  |             |              |             | Nut – Model 3230K24CS | 37400720CH                          | 1                                      | 39         | Aluminum Block Manifold | 154        | 1        |   |                        |                                    |                 |    |       |          |   |          |   |
| 9       | Bolt                                                                 | MIS10094         | 5    |         |                                                                                      |                 |      |                          |                        |                 |                 |                  |             |              |             | 40                    | Pilot Unloader Valve                | 131BIG                                 |            |                         |            |          | 1 |                        |                                    |                 |    |       |          |   |          |   |
| 10      | Belt-Guard Cover                                                     | NLA              | 1    |         |                                                                                      |                 |      |                          |                        |                 |                 |                  |             |              |             |                       |                                     |                                        |            |                         |            |          |   | 41                     | Brass Straight                     | BRST0500X025038 | 1  |       |          |   |          |   |
| 11      | Belt                                                                 | BTA63            | 2    | 42      | 1/2" Copper Tubing – Specify Model                                                   | CTUBE12         | 1.2' |                          |                        |                 |                 |                  |             |              |             |                       |                                     |                                        |            |                         |            |          |   |                        |                                    |                 |    |       |          |   |          |   |
| 12      | Brass Coupler                                                        | BRCPO375X0375H12 | 2    |         |                                                                                      |                 |      |                          |                        |                 | 43              | Quick Disconnect | 309A        | 1            |             |                       |                                     |                                        |            |                         |            |          |   |                        |                                    |                 |    |       |          |   |          |   |
| 13      | Bushing                                                              | H1X1.125         | 1    |         |                                                                                      |                 |      | 44                       | Nipple – Cap #BLCA0250 | BLNP0250X1500   |                 |                  |             |              | 1           |                       |                                     |                                        |            |                         |            |          |   |                        |                                    |                 |    |       |          |   |          |   |
| 14      | Pulley                                                               | PU2BK80H         | 1    |         |                                                                                      |                 |      |                          |                        |                 |                 |                  |             |              |             |                       |                                     |                                        | 45         | Drain Valve             | 132        | 1        |   |                        |                                    |                 |    |       |          |   |          |   |
| 15      | Bolt                                                                 | MIS10023         | 2    |         |                                                                                      |                 |      |                          |                        |                 |                 |                  |             |              |             | 46                    | Bolt                                | MIS10043                               |            |                         |            |          | 4 |                        |                                    |                 |    |       |          |   |          |   |
| 16      | Lock Washer                                                          | MIS10099         | 4    |         |                                                                                      |                 |      |                          |                        |                 |                 |                  |             |              |             |                       |                                     |                                        |            |                         |            |          |   | 48                     | 3/4" Copper Tubing – Specify Model | CTUBE34         | 3' |       |          |   |          |   |
| 18      | Belt Guard Assembly – Models 3230K24CS & 4230K28CS                   | BG3230K24CS      | 1    | 50      | Brass Straight                                                                       | BRST0750X050038 | 1    |                          |                        |                 |                 |                  |             |              |             |                       |                                     |                                        |            |                         |            |          |   |                        |                                    |                 |    |       |          |   |          |   |
|         |                                                                      |                  |      |         |                                                                                      |                 |      |                          |                        |                 | Model 5230K30CS | BG5230K30CS      | 1           | 51           |             |                       |                                     |                                        |            |                         |            |          |   |                        |                                    |                 |    | Tee   | BLTE0500 | 1 |          |   |
| 19      | Aluminum Spacer                                                      | MTL1002          | 2    |         |                                                                                      |                 |      | 52                       | Brass Straight         | BRST0500X050038 | 1               |                  |             |              |             |                       |                                     |                                        |            |                         |            |          |   |                        |                                    |                 |    |       |          |   |          |   |
|         |                                                                      |                  |      |         |                                                                                      |                 |      |                          |                        |                 |                 | Keystock         | MIS10096C   |              | 1           |                       |                                     |                                        | 53         | Nipple                  | BLNP0500X  | 1        |   |                        |                                    |                 |    |       |          |   |          |   |
| 20      | Keystock                                                             | MIS10096C        | 1    |         |                                                                                      |                 |      |                          |                        |                 |                 | 54               | Check Valve |              | CV4X4L1     | 1                     |                                     |                                        |            |                         |            |          |   |                        |                                    |                 |    |       |          |   |          |   |
|         |                                                                      |                  |      |         |                                                                                      |                 |      |                          |                        |                 |                 |                  |             |              |             |                       |                                     |                                        |            |                         |            |          |   | 57                     | Nut                                | MIS10020        | 2  |       |          |   |          |   |
|         |                                                                      |                  |      | 58      | Safety Relief Valve                                                                  | SRV0250A175     | 1    |                          |                        |                 |                 |                  |             |              |             |                       |                                     |                                        |            |                         |            |          |   |                        |                                    |                 |    |       |          |   |          |   |
|         |                                                                      |                  |      |         |                                                                                      |                 |      |                          |                        |                 |                 |                  | 59          | Gauge – Tank | GA0250300GC | 1                     |                                     |                                        |            |                         |            |          |   |                        |                                    |                 |    |       |          |   |          |   |
|         |                                                                      |                  |      |         |                                                                                      |                 |      | 60                       | 3/8" Rubber Hose – 16" | 178A            | 1.34'           |                  |             |              |             |                       |                                     |                                        |            |                         |            |          |   |                        |                                    |                 |    |       |          |   |          |   |
|         |                                                                      |                  |      |         |                                                                                      |                 |      |                          |                        |                 |                 |                  |             |              |             |                       | 61                                  | Accessory Bracket                      | 210        | 1                       |            |          |   |                        |                                    |                 |    |       |          |   |          |   |
|         |                                                                      |                  |      |         |                                                                                      |                 |      |                          |                        |                 |                 | 62               |             |              |             |                       |                                     |                                        |            |                         | Bolt       | MIS10022 | 1 |                        |                                    |                 |    |       |          |   |          |   |

As an added safety measure, belt driven models built after August 1, 2015 include additional safety valve on check valve.  
\*Safety valve not shown but may be ordered separately.

