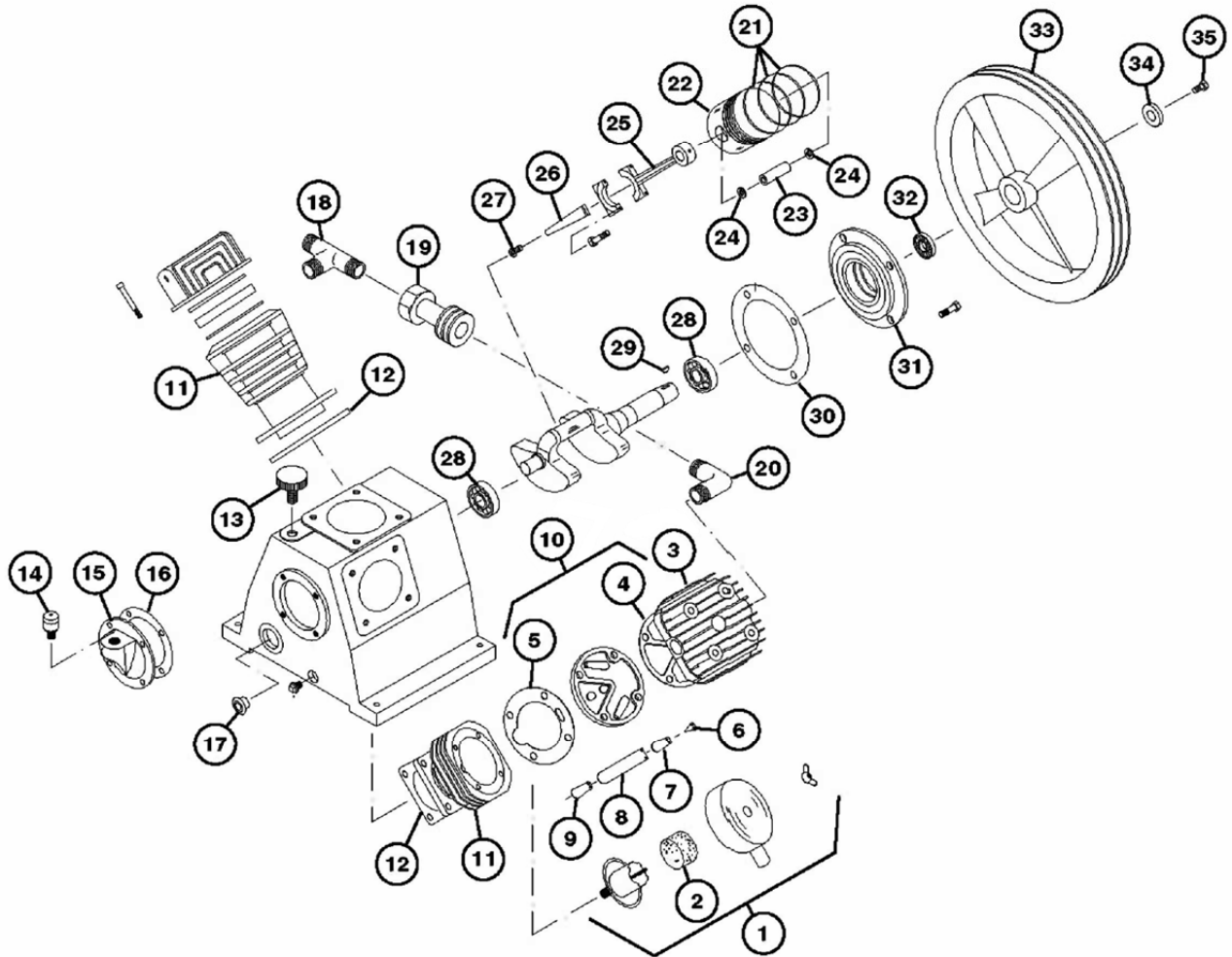
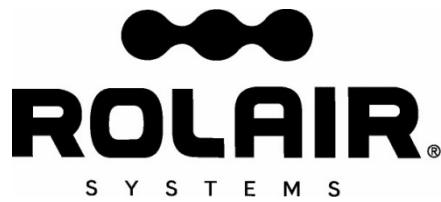


ROLAIR
SCHEMATIC FOR
PMP13PT03A





**PARTS LIST FOR MODEL
PMP13PT03A**

Schematic #	Description	Qty.	Part #
1	Intake Filter Assembly	3	LB51111-5600
2	Intake Element – After S/N 11100001 – Before S/N 1110001	1	LBFILTERPAKPAPER
		1	LBFILTERPAK
3	Cylinder Head	3	LB52122-0101
4	Gasket	3	LB52122-2105
5	Gasket	3	LB52122-2104
6	Triangle Valve Spring	6	LB51121-2102
7	Lift Limiter	6	LB51121-3102
8	Inlet Valve	3	LB52122-2103
9	Outlet Valve	6	LB51121-3103
	Lock Screws (not shown)	18	LB81505-2303010
10	Valve Plate Assembly	3	LB52122-2100
11	Cylinder	3	LB52122-4101
12	Gasket	3	LB51122-4103
13	Oil Fill Plug	1	LB51111-4719
14	Crankcase Vent	1	LB51111-4761
15	Bearing Carrier	1	LB51122-4706
16	Gasket	1	LB51122-4707
17	Oil Sight Gauge (includes gasket)	1	LB51111-4770
18	T-Fitting	2	LB51132-7702
19	Discharge Pipe	2	LB51132-7710
20	Elbow	1	LB51112-7701
21	Ring Set	3	LBRINGSET
22	Piston	3	LB51122-5101
23	Piston Pin	3	LB51122-5112
24	Snap Ring	6	LB51122-5107
25	Connecting Rod with Dipper	3	LB51122-5120
26	Dipper - Angled	2	LB51122-5128
	Dipper - Straight	1	LB52132-5127
27	Bolt - Dipper	6	LB81505-2304008
28	Bearing	2	LB83501-6205
29	Keystock	1	LB51122-4606
30	Gasket	1	LB51122-4704
31	Bearing Carrier - Front	1	LB51122-4703
32	Oil Seal	1	LB51122-4708
33	Flywheel	1	LB51132-6601
34	Washer	1	LB51111-6621
35	Bolt	1	LB81501-0308030

