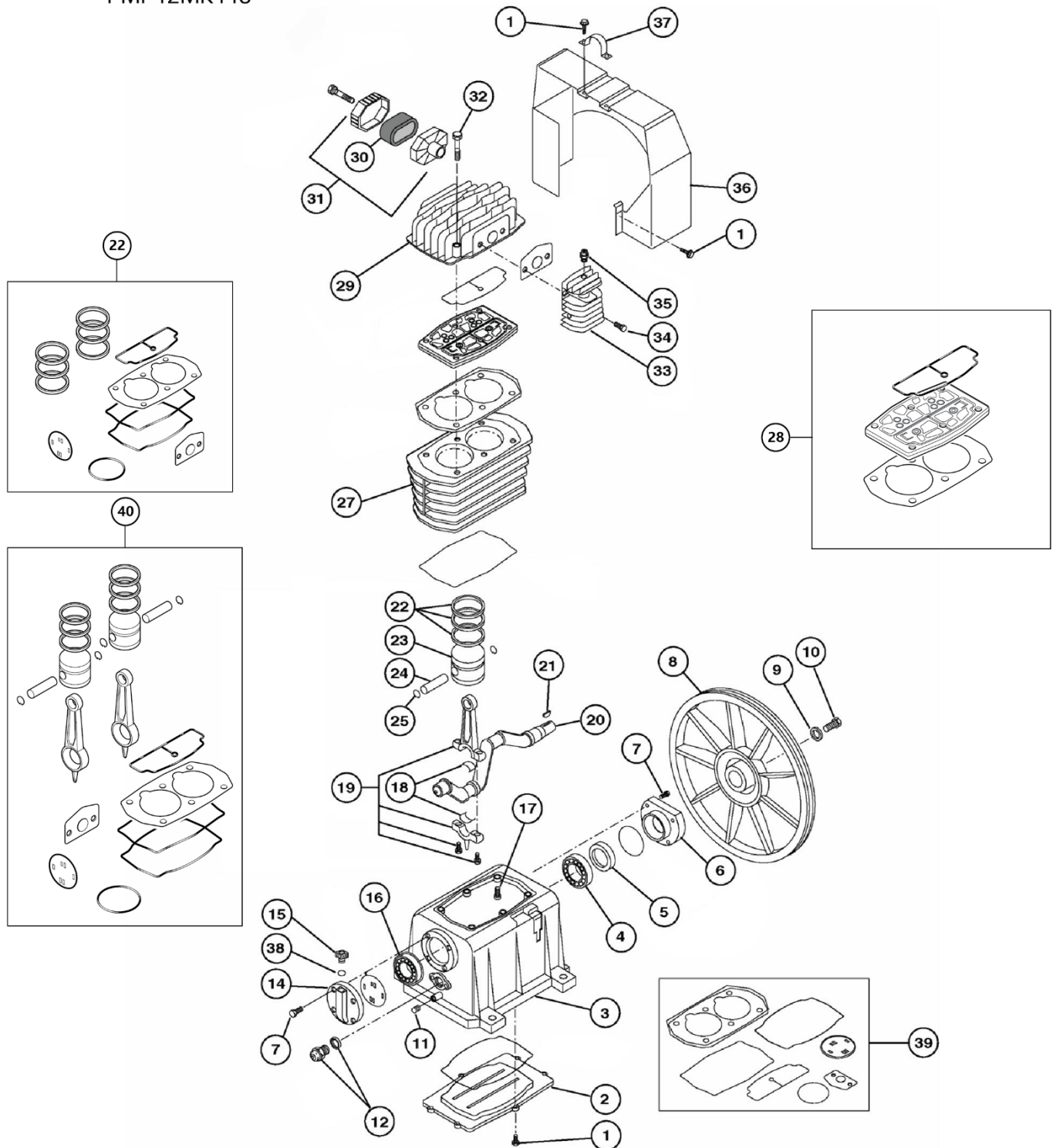


ROLAIR®

SCHEMATIC FOR MODEL
PMP12MK113





PARTS LIST FOR PMP12MK113

Schem #	Description	Part #	Qty.
1	Screw	FC014013054	10
2	Lower Cover	FC013164008	1
3	Crankcase	FC113164007	1
4	Bearing	FC033015000	1
5	Oil Seal	FC010008000	1
6	Bearing Carrier	FC113165008	1
7	Bolt	FC014013021	8
8	Flywheel	FC113164021	1
9	Washer	FC014005001	1
10	Bolt	FC014010041	1
11	Drain Plug	FC011001000	1
12	Sight Gauge with Gasket	FC012031000	1
14	Bearing Carrier	FC113141006	1
15	Breather/Oil Fill Plug	FC012047000	1
16	Bearing	FC033027000	1
17	Bolt	FC014011068	4
18	Bearing Shell	FC113144018	2
19	Connecting Rod with Bearing Shells	MK113REPKIT	1
20	Crankshaft	FC113164012	1
21	Keystock	FC018008000	1
22	Ring Set*	MK113RINGS/GASKETS	1
23	Piston	MK113REPKIT	1
24	Piston Pin	FC116025006	2
25	Snap Ring	FC015023000	4
27	Cylinder	FC113164001	1
28	Valve Plate Assembly**	FC413164006	1
29	Head	FC113164002	1
30	Element	FC017003000	1
31	Intake Filter with Element	FC317001000	1
32	Bolt	FC014011025	6
33	Aftercooler	FC113144004	1
34	Bolt	FC014011073	2
35	Cold Start Valve	FC011158000	1
36	Shroud	FC113144010	1
37	Eye Bolt	FC113164014	1
38	O-Ring	FC010024000	1
39	Gasket Set	FC213164002	1
40	Overhaul Kit***	MK113REPKIT	1

*Rings for both pistons and gasket set (#22 & 39)

**Includes "O" ring for head and upper cylinder gasket

***Two connecting rod/piston assemblies, ring set, and gasket set (#18, 19, 22, 23, 24, 25 & 39)

