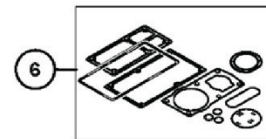
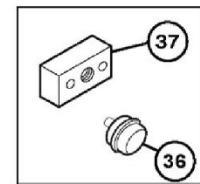
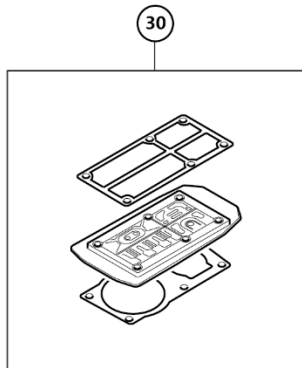
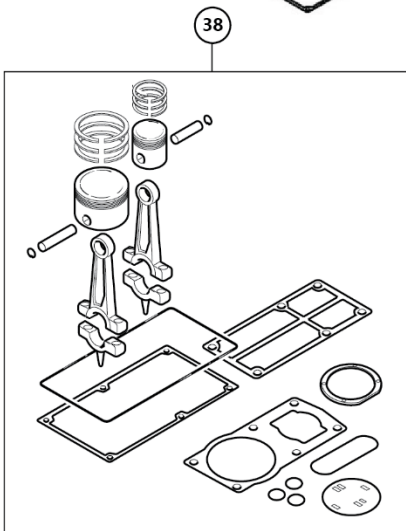
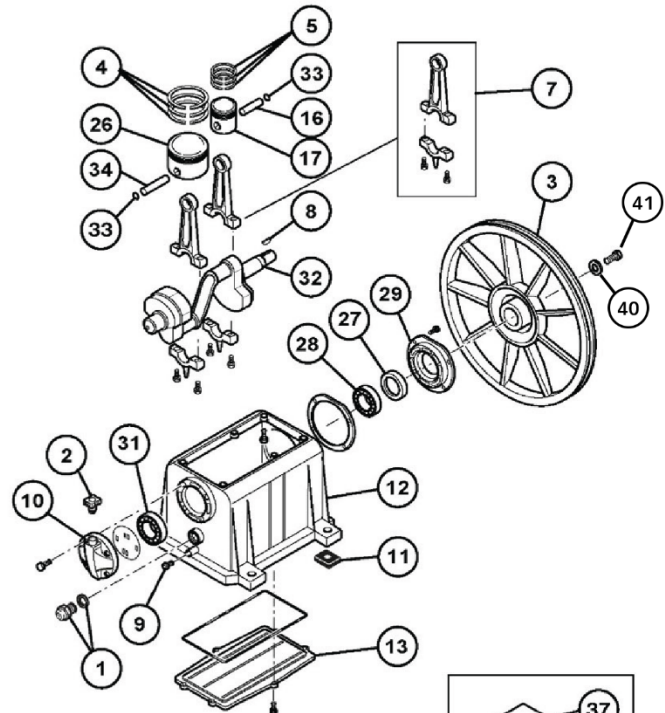
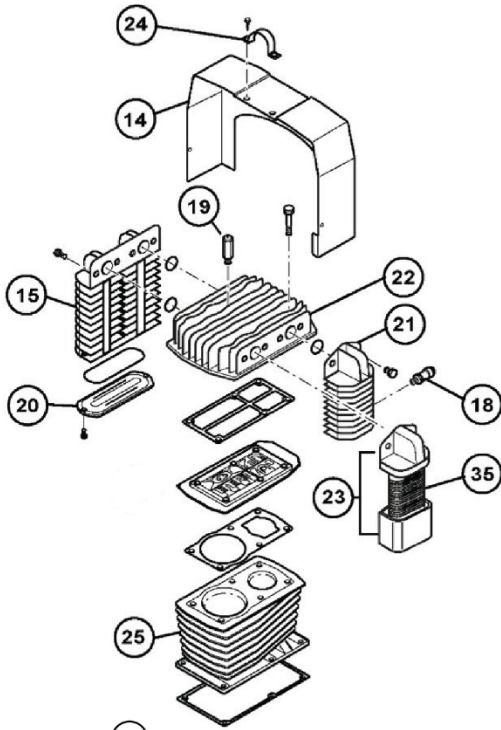
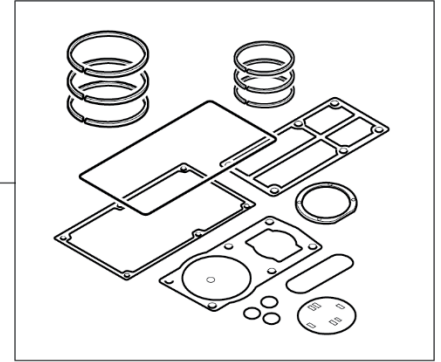
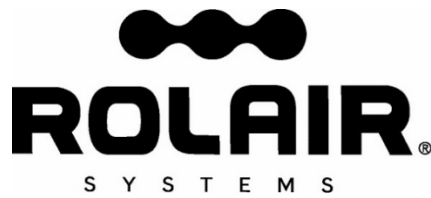


ROLAIR®

SCHEMATIC FOR MODEL
PMP22BK119





PARTS LIST FOR PMP22BK119

Schem #	Description	Part #	Qty.	
1	Sight Gauge	FC012031000	1	
2	Breather/Oil Fill Plug	FC312047000	1	
3	Flywheel	FC113178007	1	
4	Ring Set – LP***	BK119RINGS/GASKETS (-O, -N)	1	O = 105 mm x 52 mm bore N = 105 mm x 58 mm bore
5	Ring Set – HP***	BK119RINGS/GASKETS (-O, -N)	1	
6	Gasket Set	FC213153020	1	
7	Connecting Rod	FC413125016	2	
8	Keystock	FC018008000	1	
9	Oil Drain Plug	FC011001000	1	
10	End Cover	FC113141006	1	
11	Mounting Pad	FC113141028	4	
12	Crankcase	FC113153013	1	
13	Lower Cover	FC113153007	1	
14	Shroud	FC113178004	1	
15	Intercooler Assembly	FC013141042	1	
16	Piston Pin – HP	BK119REPKIT (-O, -N)	1	
17	Piston – HP	BK119REPKIT (-O, -N)	1	
18	Safety Valve – Aftercooler	FC047002000	1	
19	Safety Valve – Intercooler	FC047086000	1	
20	Intercooler Connector	FC113141040	1	
21	Aftercooler	FC113163025	1	
22	Head	FC113178002	1	
23	Complete Filter Assembly	FC317071000	1	
24	Lift Bracket	FC113178011	1	
25	Cylinder	FC113179001	1	
26	Piston – LP	BK119REPKIT (-O, -N)	1	
27	Oil Seal	FC010008000	1	
28	Ball Bearing	FC033015000	1	
29	Bearing Carrier	FC113141046	1	
30	Valve Plate Assembly**	FC413153004	1	
31	Ball Bearing	FC033027000	1	
32	Crankshaft	FC113178006	1	
33	Snap Ring	FC015013000	4	
34	Piston Pin – LP	FC113125022	1	
35	Filter Element Only*	NLA	1	
36	Metal Intake Assembly	FS10100	1	
37	BK119 Intake Flange	NPTFLANGE1.0	1	
38	Overhaul Kit**** (before 09/17)	BK119REPKIT-O	1	O = 105 mm x 52 mm bore N = 105 mm x 58 mm bore
	Overhaul Kit**** (after 09/17)	BK119REPKIT-N	1	
39	Ring & Gasket Set*** (before 09/17)	BK119RINGS/GASKETS-O	1	
	Ring & Gasket Set*** (after 09/17)	BK119RINGS/GASKETS-N	1	
40	Washer	FC014005001	1	
41	Bolt	FC014010041	1	

*As of 08/20 Filter Element Only (Ref#35) is NLA, order the Complete Filter Assembly (Ref#23).

**Includes head and upper cylinder gaskets

***Rings for both pistons and gasket set (#6)

****Two connecting rod/piston assemblies, ring set and gasket set (#4,5,6,7,16,17,26,33 & 34)

