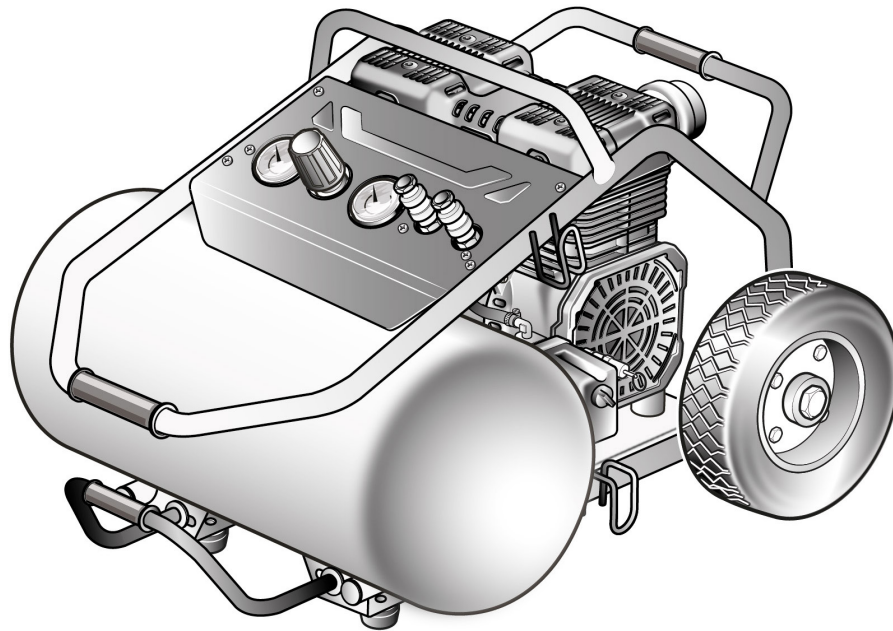


5.5 GALLON 2-STAGE QUIET WHEELED AIR COMPRESSOR

SET UP AND OPERATING INSTRUCTIONS



606 South Lake Street > P.O. Box 346 > Hustisford, WI 53034-0346 > 920.349.3281 > fax 920.349.3691 > www.rolair.com



IMPORTANT



DO NOT RETURN TO STORE

This unit was fully tested and inspected prior to shipment and will operate properly when instructions are followed. Refer to your owner's manual for basic troubleshooting. To avoid unnecessary return to the store, simply call Compressor Support toll free for additional assistance.



**PO Box 346, Hustisford, WI 53034,
1-800-310-3573**

Please have your model number and serial number available. These can be found on the data label on your product. Retain a copy of your receipt with purchase date for reference.

NOTICE

- Air Compressor will automatically shut off when maximum PSI is reached. When the tank pressure drops to the cut in pressure (low pressure) and the on/off switch is in the ON position, the unit will automatically restart.
- On occasion, maximum pressure in tank will remain until next use thus resulting in a sense of no power (See bullet above).
- To avoid power loss, overheating and ensure power, use additional air hose rather than extension cords.

TABLE OF CONTENTS

■ Introduction	2
■ General Safety Rules	3-4
■ Specific Safety Rules	5
■ Symbols.....	6-7
■ Electrical.....	8
■ Glossary of Terms	9
■ Features	10-11
■ Assembly.....	11-12
■ Transport	13
■ Operation.....	14-15
■ Maintenance.....	16
■ Troubleshooting.....	17
■ Replacement Parts List	18-21
■ Guarantee	22

INTRODUCTION

This compressor has many features for making its use more pleasant and enjoyable. Safety, performance, and dependability have been given top priority in the design of this product making it easy to maintain and operate.

DANGER

This compressor/pump is not equipped and should not be used to supply breathing quality air. Additional equipment would be necessary to properly filter and purify the air to meet minimal specifications for Grade D breathing as described in Compressed Gas Association Commodity Specification G 7.1 - 1996, OSHA 29 CFR 1910.134.

Compressed Gas Association, 14501 George Carter Way, Suite 103, Chantilly VA 20151-1788, (703) 788-2700, www.cganet.com. Any such additional equipment has not been examined and no implication of proper use for breathing air is intended or implied.

If this compressor is altered in any way, existing warranties shall be voided. Seller disclaims any liabilities whatsoever for any loss, personal injury, or damage.

GENERAL SAFETY RULES (continued)



WARNING:

Read and understand all instructions. Failure to follow all instructions listed below may result in electric shock, fire, and/or serious personal injury.

SAVE THESE INSTRUCTIONS

WORK AREA

- **Keep your work area clean and well lit.** Cluttered benches and dark areas invite accidents. The floor must not be slippery from wax or dust.
- **Do not operate compressor in explosive atmospheres, such as in the presence of flammable liquids, gases, or dust.** Compressors create sparks which may ignite the dust or fumes.
- **Keep bystanders, children, and visitors away while operating compressor and tools.** Distractions can cause you to lose control.
- **Operate the air compressor in an open area at least 18 in. away from any wall or object that could restrict the flow of fresh air to ventilation openings.**

ELECTRICAL SAFETY

- **Avoid body contact with grounded surfaces such as pipes, radiators, ranges, and refrigerators.** There is an increased risk of electric shock if your body is grounded.
- **Don't expose compressor to rain or wet conditions.** Water entering a compressor will increase the risk of electric shock.
- **Do not abuse the cord. Never use the cord to carry the compressor or pull the plug from an outlet. Keep the cord away from heat, oil, sharp edges, or moving parts. Replace damaged cords immediately.** Damaged cords increase the risk of electric shock.
- **When operating a compressor outside, use an outdoor extension cord marked "W-A" or "W".** These cords are rated for outdoor use and reduce the risk of electric shock.

PERSONAL SAFETY

- **Eye protection which conforms to ANSI specifications and provides protection against flying particles both from the FRONT and SIDE should ALWAYS be worn by the operator and others in the work area when loading, operating, or servicing this compressor.** Eye protection is required to guard against flying fasteners and debris, which could cause severe eye injury.
- **The employer and/or user must ensure that proper eye protection is worn.** We recommend a Wide Vision Safety Mask for use over eyeglasses or standard safety glasses that provide protection against flying particles both from the front and side. Always use eye protection which is marked to comply with ANSI Z87.1.

- **Additional safety protection will be required in some environments.** For example, the working area may include exposure to a noise level which can lead to hearing damage. The employer and user must ensure that any necessary hearing protection is provided and used by the operator and others in the work area. Some environments will require the use of head protection equipment. When required, the employer and user must ensure that head protection marked to comply with ANSI Z89.1 is used.
- **Stay alert, watch what you are doing, and use common sense when operating a compressor. Do not use compressor and tools while tired or under the influence of drugs, alcohol, or medication.** A moment of inattention while operating compressors may result in serious personal injury.
- **Dress properly. Do not wear loose clothing or jewelry. Contain long hair. Keep your hair, clothing, and gloves away from moving parts.** Loose clothes, jewelry, or long hair can be caught in moving parts.
- **Do not overreach. Keep proper footing and balance at all times.** Proper footing and balance enables better control of the tool in unexpected situations.
- **Use safety equipment. Always wear eye protection.** A dust mask, nonskid safety shoes, hard hat, or hearing protection must be used for appropriate conditions.
- **Do not use on a ladder or unstable support.** Stable footing on a solid surface enables better control of the tool in unexpected situations.
- **Air from your compressor is not safe for breathing and may contain carbon monoxide.** Never inhale compressed air directly from the pump, tank, receiver, or breathing device connected to the air compressor. The compressor is not equipped with suitable filters or in-line safety equipment for human consumption. Do not use discharge air for breathing.

COMPRESSOR USE AND CARE

- **Do not exceed the pressure rating of any component in the system.**
- **Protect electrical lines and air lines from damage or puncture.** Keep the hose and power cord away from sharp objects, chemical spills, oil, solvents, and wet floors.
- **Check hoses for leaks or worn condition before each use, making certain all connections are secure.** Do not use if a defect is found. Purchase a new hose or notify an authorized service center for examination or repair.
- **Release the pressure within the system slowly.** Dust and debris may be harmful (if expelled too quickly under pressure).
- **Store idle tools out of the reach of children and other untrained persons.** Tools are dangerous in the hands of untrained users.

GENERAL SAFETY RULES

- **Maintain tools with care.** Follow maintenance instructions. Properly maintained tools are easier to control.
- **Check for misalignment or binding of moving parts, breakage of parts, and any other condition that may affect the compressor's operation. If damaged, have the compressor serviced before using.** Many accidents are caused by poorly maintained compressors.
- **Never point any tool toward yourself or others.**
- **Keep the exterior of the air compressor dry, clean, and free from oil and grease.** Always use a clean cloth when cleaning. Never use brake fluids, gasoline, petroleum-based products, or any strong solvents to clean the unit. Following this rule will reduce the risk of deterioration of the enclosure plastic.
- **Do not use a generator as the power source.** Air compressors use induction motors. Most generators do not provide the wattage needed to properly start this type of motor. Failures that occur due to generator use will not be covered under warranty.

SERVICE

- **Compressor service must be performed only by qualified repair personnel.** Service or maintenance performed by unqualified personnel may result in a risk of injury.
- **Disconnect the power supply, open the drain valve slowly to decompress the tank and allow water to drain, and allow the air compressor to become cool to the touch before servicing.** Turn the pressure regulator knob fully counterclockwise after shutting off the compressor.
- **When servicing a compressor, use only identical replacement parts. Follow the instructions in the Maintenance section of this manual.** Use of unauthorized parts or failure to follow the Maintenance instructions may create a risk of injury.

SPECIFIC SAFETY RULES

- **Know your compressor.** Read the operator's manual carefully. Learn its applications and limitations, as well as the specific potential hazards related to this compressor. Following this rule will reduce the risk of electric shock, fire, or serious injury.
- **Drain the tank of moisture after each day's use.** If the unit will not be used for a while, it is best to leave the drain valve open until such time as it is to be used. This will allow moisture to completely drain out and help prevent corrosion on the inside of tank.
- **Risk of Fire or Explosion.** Do not spray flammable liquid in a confined area. The spray area must be well ventilated. Do not smoke while spraying or spray where sparks or a flame is present. Keep compressors as far from the spraying area as possible, at least 15 feet from the spraying area and all explosive vapors.
- **Risk of Bursting.** Do not adjust the regulator to result in output pressure greater than the marked maximum pressure of the attachment. Do not use at a pressure greater than the rated maximum pressure of this compressor.
- **If connected to a circuit protected by fuses,** use time-delay fuses with this product.
- **To reduce the risk of electric shock,** do not expose to rain. Store indoors.
- **Inspect the tank yearly for rust, pin holes, or other imperfections that could cause it to become unsafe.** Never weld or drill holes in the air tank.
- **Make sure the hose is free of obstructions or snags.** Entangled or snarled hoses can cause loss of balance or footing and may become damaged.
- **Use the air compressor only for its intended use. Do not alter or modify the unit from the original design or function.**
- **Always be aware that misuse and improper handling of this compressor can cause injury to yourself and others.**
- **Never leave a compressor unattended with the air hose attached.**
- **Do not operate this compressor if it does not contain a legible warning label.**
- **Do not continue to use a tool or hose that leaks air or does not function properly.**
- **Always drain the air pressure completely and disconnect the power supply** before making adjustments, servicing a compressor, or when a compressor is not in use.
- **Do not attempt to pull or carry the air compressor by the hose.**
- **Your tool may require more air consumption than this air compressor is capable of providing.**
- **When a combustible liquid is sprayed there can be danger of fire or explosion, especially in a closed area.** Read instruction manual before operating.
- **Arcing parts.** Use spray gun hose at least 25 feet long and keep the compressor/motor at least 20 feet away from explosive vapors.
- **Always follow all safety rules recommended by the manufacturer of your tool, in addition to all safety rules for the air compressor.** Following these rules will reduce the risk of serious personal injury.
- **Never direct a jet of compressed air toward people or animals. Take care not to blow dust and dirt towards yourself or others.** Following this rule will reduce the risk of serious injury.
- **Protect your lungs.** Wear a face or dust mask if the operation is dusty. Following this rule will reduce the risk of serious personal injury.
- **Do not use this air compressor to spray chemicals.** Your lungs can be damaged by inhaling toxic fumes. A respirator may be necessary in dusty environments or when spraying paint. Do not carry while painting.
- **Inspect electrical cords and hoses periodically and, if damaged, have repaired at your nearest Authorized Service Center. Constantly stay aware of cord location.** Following this rule will reduce the risk of electric shock or fire.
- **Never use an electrical adaptor with this grounded plug.**
- **Check damaged parts. Before further use of the air compressor or air tool, a guard or other part that is damaged should be carefully checked to determine that it will operate properly and perform its intended function. Check for alignment of moving parts, binding of moving parts, breakage of parts, mounting, and any other conditions that may affect its operation. A guard or other part that is damaged should be properly repaired or replaced by an authorized service center.** Following this rule will reduce the risk of shock, fire or serious injury.
- **Make sure your extension cord is in good condition. When using an extension cord, be sure to use one heavy enough to carry the current your product will draw. A wire gauge size (A.W.G.) of at least 12 is recommended for an extension cord 25 feet or less in length. A cord exceeding 100 feet is not recommended. If in doubt, use the next heavier gauge. The smaller the gauge number, the heavier the cord. An undersized cord will cause a drop in line voltage resulting in loss of power and overheating.**













WARNING:

This product can expose you to chemicals including lead, which is known to the state of California to cause cancer and birth defects or other reproductive harm. For more information go to www.p65warnings.ca.gov

- **Save these instructions.** Refer to them frequently and use them to instruct others who may use this air compressor. If you loan someone this compressor, loan them these instructions also.




SYMBOLS (continued)

Some of the following symbols may be used on this compressor. Please study them and learn their meaning. Proper interpretation of these symbols will allow you to operate the compressor better and safer.

SYMBOL	NAME	DESIGNATION / EXPLANATION
V	Volts	Voltage.
A	Amperes	Current.
Hz	Hertz	Frequency (cycles per second).
~	Alternating Current	Type of current.
	Class II Construction	Double-insulated construction.
	Wet Conditions Alert	Do not expose to rain or use in damp locations.
	Read the Operator's Manual	To reduce the risk of injury, user must read and understand operator's manual before using this product.
	Eye Protection	Always wear safety goggles, safety glasses with side shields, or a full face shield when operating this product.
	Safety Alert	Precautions that involve your safety.
	Risk of Bursting	Do not adjust the regulator to result in output pressure greater than the marked maximum pressure of the attachment. Do not use at a pressure greater than the rated maximum pressure of this compressor.
	Risk of Fire or Explosion	Do not spray flammable liquid in a confined area. Spray area must be well ventilated. Do not smoke while spraying or spray where spark or flame is present. Keep compressors as far from the spraying area as possible, at least 15 feet from the spraying area and all explosive vapors.
	Risk of Electrical Shock	Hazardous Voltage: disconnect from power source before servicing. Compressor must be grounded.
	Hot Surface	To reduce the risk of injury or damage, avoid contact with any hot surface.
	Risk to Hearing	Always wear ear protection when using this compressor. Failure to do so may result in hearing loss.
	Risk to Breathing	Air obtained directly from the air compressor should never be used to supply air for human consumption.
	Drain Moisture Daily	Drain out the tank daily.

SYMBOLS

The following signal words and meanings are intended to explain the levels of risk associated with this product.

SYMBOL	SIGNAL	MEANING
	DANGER:	Indicates an imminently hazardous situation, which, if not avoided, will result in death or serious injury.
	WARNING:	Indicates a potentially hazardous situation, which, if not avoided, could result in death or serious injury.
	CAUTION:	Indicates a potentially hazardous situation, which, if not avoided, may result in minor or moderate injury.
	CAUTION:	(Without Safety Alert Symbol) Indicates a situation that may result in property damage.

SERVICE

Servicing requires extreme care and knowledge and should be performed only by a qualified service technician. For service we suggest you return the product to the nearest **AUTHORIZED SERVICE CENTER** for repair. When servicing, use only identical replacement parts.



WARNING:

To avoid serious personal injury, do not attempt to use this product until you read thoroughly and understand completely the operator's manual. Save this operator's manual and review frequently for continuing safe operation and instructing others who may use this product.

WARNING:



The operation of any compressor can result in foreign objects being thrown into your eyes, which can result in severe eye damage. Before beginning compressor operation, always wear safety goggles, safety glasses with side shields, or a full face shield when needed. We recommend Wide Vision Safety Mask for use over eyeglasses or standard safety glasses with side shields. Always use eye protection which is marked to comply with ANSI Z87.1.

ELECTRICAL

EXTENSION CORDS

Use only 3-wire extension cords that have 3-prong grounding plugs and 3-pole receptacles that accept the air compressor's plug. When using the air compressor at a considerable distance from the power source, use an extension cord heavy enough to carry the current that the compressor will draw. An undersized extension cord will cause a drop in line voltage, resulting in a loss of power and causing the motor to overheat. Use the chart provided below to determine the minimum wire size required in an extension cord. Only round jacketed cords listed by Underwriter's Laboratories (UL) should be used.

Extension Cord Table	
Minimum Wire Gauge	
Extension cord Length	Motor (1.0, 1.5, and 2.0 HP)
Up To 25 ft	12 Ga.
25 – 50 ft	10 Ga.
50 – 100 ft	8 Ga.

When working with the air compressor outdoors, use an extension cord that is designed for outside use. This is indicated by the letters "WA" on the cord's jacket. Before using an extension cord, inspect it for loose or exposed wires and cut or worn insulation.

⚠ WARNING:

Keep the extension cord clear of the working area. Position the cord so that it will not get caught on lumber, tools, or other obstructions while you are working with a compressor. Failure to do so can result in serious personal injury.

⚠ WARNING:

Check the extension cords before each use. If damaged, replace immediately. Never use the air compressor with a damaged cord since touching the damaged area could cause electrical shock resulting in serious personal injury.

► **NOTE:** Use longer air hoses instead of long extension cords. Your air compressor will run better and last longer.

ELECTRICAL CONNECTION

This air compressor is powered by a precision built electric motor. It should be connected to a **power supply that is 120 volts, 60 Hz, AC only (normal household current)**. Do not operate this compressor on direct current (DC). A substantial voltage drop will cause a loss of power and the motor will overheat. If the air compressor does not operate when plugged into an outlet, double check the power supply.

SPEED AND WIRING

The no-load speed of the electric motor varies by model and specification. The motor speed is not constant and decreases under a load or with lower voltage. For voltage, the wiring in a shop is as important as the motor's horsepower rating. A line intended only for lights cannot properly carry a compressor motor. Wire that is heavy enough for a short distance will be too light for a greater distance. A line that can support one compressor may not be able to support two or three compressors.

GROUNDING INSTRUCTIONS

This product must be grounded. In the event of an electrical short circuit, grounding reduces the risk of electric shock by providing an escape wire for the electric current. This air compressor is equipped with an electric cord having an equipment-grounding conductor and a grounding plug. The plug must be plugged into a matching outlet that is properly installed and grounded in accordance with all local codes and ordinances.

Do not modify the plug provided. If it will not fit the outlet, have the proper outlet installed by a qualified electrician.



WARNING:

Improper connection of the equipment-grounding conductor can result in a risk of electric shock.

The conductor with insulation having an outer surface that is green with or without yellow stripes is the equipment-grounding conductor. If repair or replacement of the electric cord or plug is necessary, do not connect the equipment-grounding conductor to a live terminal. Check with a qualified electrician or service personnel if the grounding instructions are not completely understood, or if in doubt as to whether the compressor is properly grounded. Repair or replace a damaged or worn cord immediately. This product is for use on a nominal 120-V circuit and has a grounding plug similar to the plug illustrated in Figure 1. Only connect the product to an outlet having the same configuration as the plug. Do not use an adapter with this product.

Never use an electrical adapter with this grounded plug.

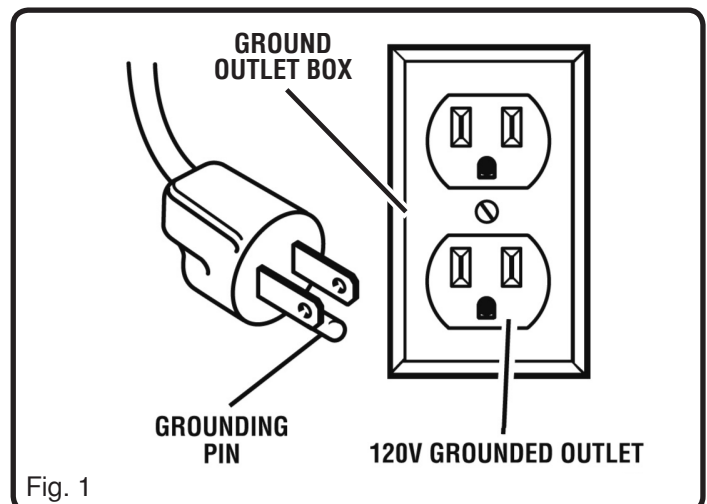


Fig. 1

GLOSSARY OF TERMS

Air Filter

Porous element contained within a metal or plastic housing attached to the compressor cylinder head which removes impurity from the intake air of the compressor.

Air Tank

Cylindrical component which contains the compressed air.

Check Valve

Device that prevents compressed air from flowing back from the air tank to the compressor pump.

Cut-In Pressure

The low pressure at which the motor will automatically restart.

Cut-Off Pressure

The high pressure at which the motor will automatically shut off.

Electric Motor

Device which provides the rotational force necessary to operate the compressor pump.

Manual On/Off Switch

Control which turns the air compressor on or off. The pressure switch will not automatically start and control the compressor unless the manual on/off switch is in the **ON** (I) position.

NPT (National Pipe Thread)

National Pipe Thread is a U.S. standard for tapered (NPT) or straight (NPS) threads used to join pipes and fittings. A thread sealing tape must be used to provide a leak-free seal on pipe threaded connections.

Pressure Regulator Knob

Regulates the outgoing pressure from the air outlet to the tool. It is possible to increase or decrease the pressure at the outlet by adjusting this control knob.

Pressure Switch

Automatically controls the on/off cycling of the compressor. It stops the compressor when the cut-off pressure in the tank is reached and starts the compressor when the air pressure drops below the cut-in pressure.

PSI (Pounds Per Square Inch)

Measurement of the pressure exerted by the force of the air. The actual psi is measured by a pressure gauge on the compressor.

Pump

Produces the compressed air with a reciprocating piston contained within the cylinder.

Regulator Pressure Gauge (Outlet pressure)

Displays the current line pressure. Line pressure is adjusted by rotating the pressure regulator knob.

Safety Valve

Prevents air pressure in the air tank from rising over a predetermined limit.

SCFM (Standard Cubic Feet Per Minute)

A unit of measure of air delivery.

L/min (Liter Per Minute)

A unit of measure of air delivery.

Tank Pressure Gauge

Indicates the pressure in the air tank.

Thermal Overload Switch

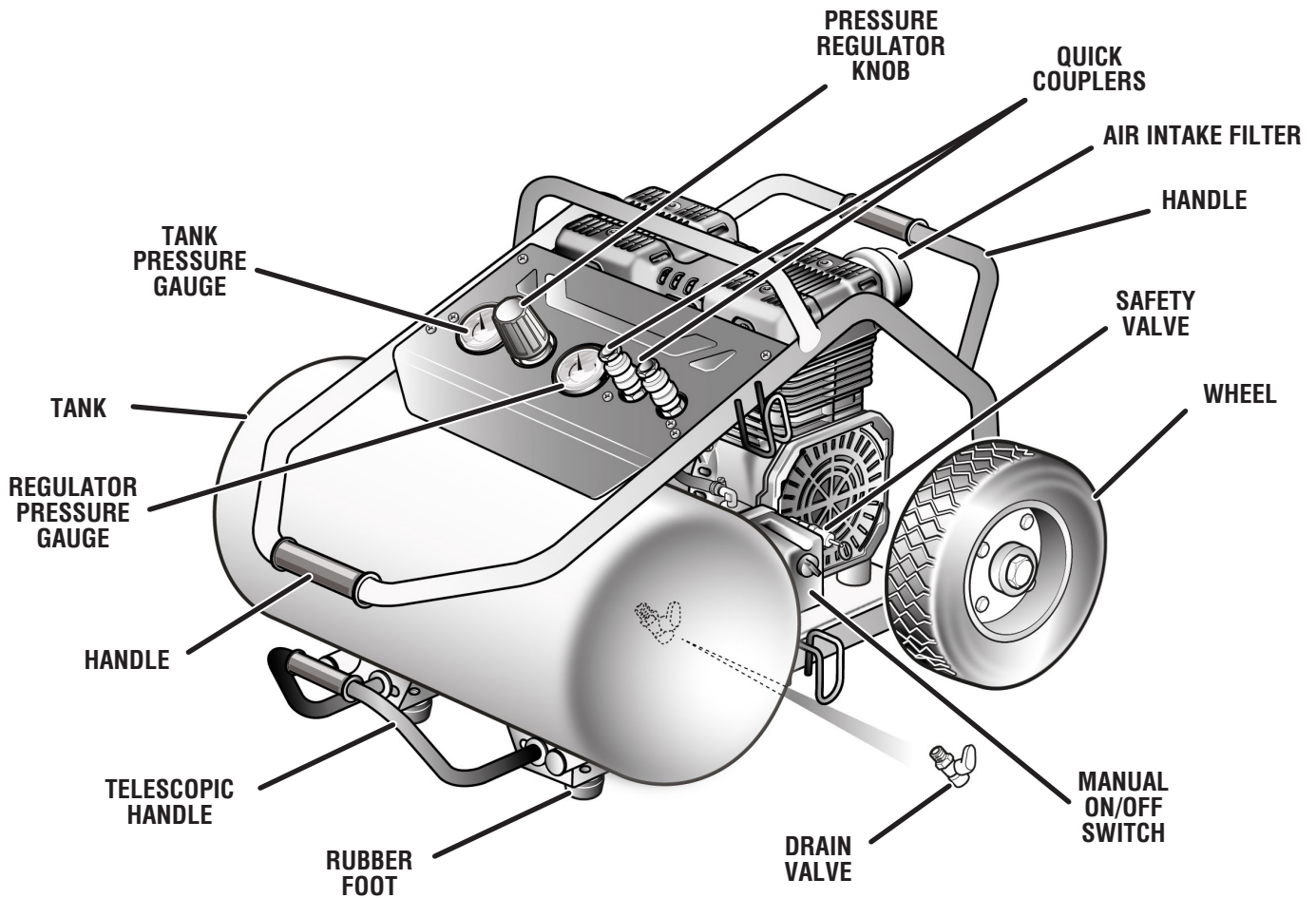
Automatically shuts off the compressor if the temperature of the electric motor exceeds a predetermined limit.

FEATURES (continued)

PRODUCT SPECIFICATIONS

Running Horsepower.....	1.575 kW	Pump-Up Time (0-175 PSI)	1:50
Air Tank Capacity.....	5.5 gal.	Lubrication	Oil-Free
Air Pressure.....	175 PSI max.	Gauges	2.0 in. diameter
Air Delivery	5 SCFM @ 90 PSI	Input.....	120 V, 60 Hz, AC only, 13.5 Amps
Duty Cycle	S3 50% - 5 minutes ON and 5 minutes OFF	Net Weight (compressor only)	94 lbs.

Fig. 2



FEATURES

KNOW YOUR AIR COMPRESSOR

See Figure 2.

Before attempting to use this product, familiarize yourself with all operating features and safety rules.

OIL-FREE UNIVERSAL MOTOR

Your air compressor features permanently lubricated bearings.

ON/OFF POWER SWITCH

This switch is used to start or stop the air compressor. Moving the switch to the (ON) position will provide automatic power to the pressure switch which will allow the motor to start when the air tank pressure is below the factory set cut-in pressure. When in the (ON) position, the pressure switch stops the motor when the air tank pressure reaches the factory set cut-out pressure. Moving the switch to the (OFF) position will remove power from the motor and stop the air compressor.

MOTOR THERMAL OVERLOAD

The electric motor has a thermal overload protector. If the motor overheats for any reason, the thermal overload will cut off power, thus preventing the motor from being damaged. Wait until the motor is cool.

AIR INTAKE FILTER

This filter is designed to clean air coming into the pump. To ensure the pump continually receives a clean, cool, dry air supply this filter must always be clean and ventilation opening free from obstructions.

AIR COMPRESSOR PUMP

To compress air, the piston moves up and down in the cylinder. On the down stroke, air is drawn in through the air intake valve while the exhaust valve remains closed. On the upstroke, air is compressed, the intake valve closes and compressed air is forced out through the exhaust valve, into the discharge line, through the check valve and into the air tank.

SAFETY VALVE

This valve is designed to prevent system failures by relieving pressure from the system when the compressed air reaches a predetermined level. The valve is preset by the manufacturer and must not be modified in any way.

DRAIN VALVE

The drain valve is used to remove moisture from the air tank.

TANK PRESSURE GAUGE

The tank pressure gauge indicates the pressure of the air in the tank.

REGULATOR PRESSURE GAUGE

The current line pressure is displayed on the regulator pressure gauge. This pressure can be adjusted by rotating the pressure regulator knob.

PRESSURE REGULATOR KNOB

Use the pressure regulator knob to adjust the amount of air being delivered through the hose.

The air pressure coming from the air tank is controlled by the regulator knob. Turn the pressure regulator knob clockwise to increase discharge pressure and counterclockwise to decrease discharge pressure. Follow tool operating instructions for recommended pressure range.

ASSEMBLY (continued)

UNPACKING

This product has been shipped completely assembled.

- Carefully remove the compressor from the box. Make sure that all items listed in the packing list are included.
- Inspect the compressor carefully to make sure no breakage or damage occurred during shipping.
- Do not discard the packing material until you have carefully inspected and satisfactorily operated the compressor.
- If any parts are damaged or missing, please call the seller for assistance.

PACKING LIST

Air Compressor (1)
Operator's Manual (1)

WARNING:

If any parts are missing, do not operate the compressor until the missing parts are replaced. Failure to do so could result in possible serious personal injury.

WARNING:

Do not attempt to modify this compressor or create accessories not recommended for use with this compressor. Any such alteration or modification is misuse and could result in a hazardous condition leading to possible serious personal injury.

CAUTION:

Do not lift compressor from telescopic handle.

ASSEMBLY

ATTACHING HOSE

- Insert the hose into the quick coupler already installed on the compressor (Fig. 3).

WARNING:

Do not attach any tools to the open end of the hose until start-up has been completed.

- Firmly grasp the open end of the hose; hold facing away from yourself and others.

WARMING UP THE COMPRESSOR

See Figures 3 - 5.

- Check and tighten all bolts, fittings, etc.
- Turn the pressure regulator knob fully clockwise to open the air flow.
- Place the switch in the **OFF (O)** position and plug in the power cord.
- Open the drain valve completely.
- Turn the air compressor **ON (I)** and run the air compressor for 30-40 seconds with drain valve open.
- Place the switch in the **OFF (O)** position.
- Close the drain valve.
- Repeat this cold starting procedure prior to each use.

OVERLOAD PROTECTOR

This air compressor is equipped with a thermal overload device which will turn the air compressor off automatically, if the air compressor becomes overheated. If the motor turns OFF repeatedly, check for the following possible causes first: Low Voltage from the outlet. Lack of proper ventilation or outside air or room temperature too high. Extension cord too long or wrong gauge wire used.

To reset the air compressor:

- Turn the air compressor off.
- Unplug the air compressor and allow it to cool for 30 minutes.
- Plug the air compressor into an approved outlet.
- Turn the air compressor on.

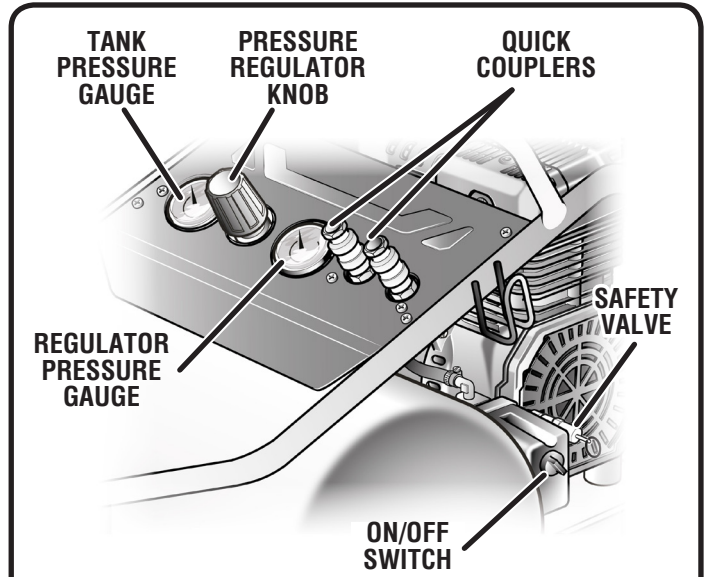


Fig. 3

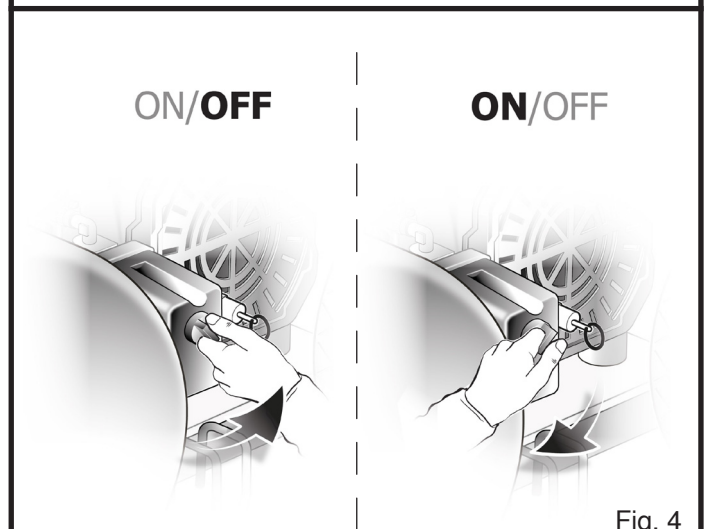


Fig. 4

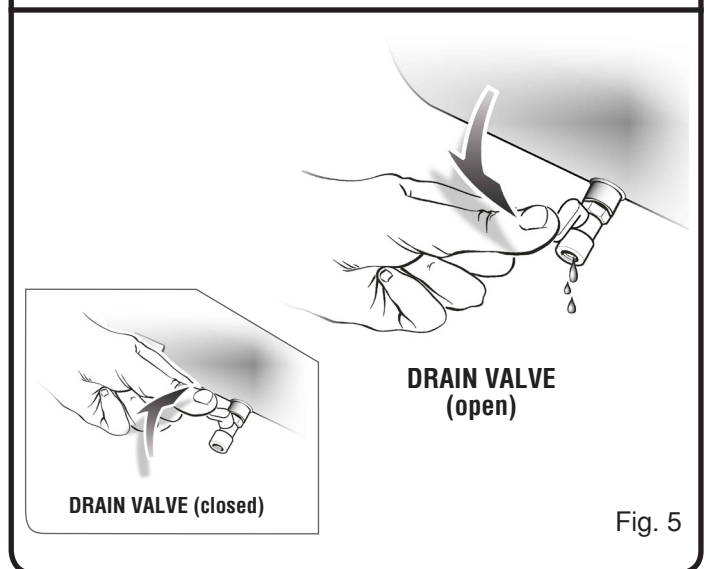


Fig. 5

TRANSPORT

TRANSPORT

See Figures 6 - 8.

- Pull telescopic handle out until it locks into place (see Fig. 6).

CAUTION:

The telescopic handle is only for pulling the unit (see Fig. 7).
DO NOT lift the unit by this handle.

- To collapse the handle, apply pressure for the first few inches to unlock, then slide the handle straight in until it stops (see Fig. 6).

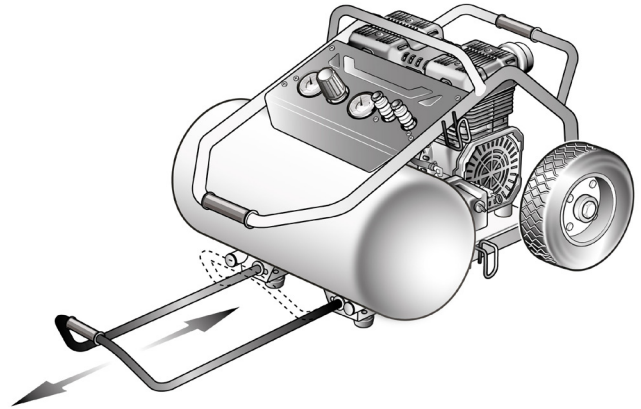


Fig. 6



Fig. 7

WARNING:

Two person lift. Do not attempt to lift the compressor by yourself.
You need help of another person to lift the compressor (see Fig. 8).
The compressor is lifted by gripping hand holds A and B (see Fig. 8).

- When transporting the compressor, do not drop the unit or allow the unit to fall from a vertical position.

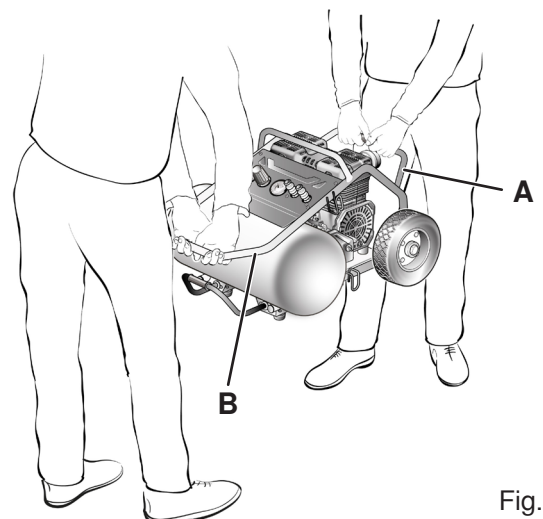


Fig. 8

OPERATION (continued)

APPLICATIONS

Air compressors are utilized in a variety of air system applications. Match hoses, connectors, air tools, and accessories to the capabilities of the air compressor.

You may use this compressor for purposes listed below:

- Operating air powered tools requiring less than 5 SCFM @ 90 PSI.
- Powering pneumatic nail guns, inflating tires, cleaning / blowing with pressurized air.

USING THE AIR COMPRESSOR

See Figures 9 - 10.

- Ensure the tank drain valve is closed (see Fig. 9).
 - Ensure the ON/OFF switch is in the **OFF (O)** position and the air compressor is unplugged (see Fig. 9).
 - Ensure the pressure regulator knob is turned fully counterclockwise (see Fig. 9).
 - If not already installed, attach the hose to the compressor.
 - Connect the air powered tools to the air hose by inserting the male quick-connect plug to the quick-coupler at the end of the hose (see Fig. 10).
 - Connect the power cord to the power supply.
 - Turn the ON/OFF switch to the **ON (I)** position.
 - Rotate the pressure regulator knob to the desired line pressure. Turning the knob clockwise increases air pressure at the outlet; turning the knob counterclockwise reduces air pressure at the outlet.
 - **NOTE:** Before connecting or disconnecting air tools, turn the regulator knob counterclockwise to stop the flow of air.
 - Following all safety precautions in this manual and the manufacturer's instructions in the air tool manual, you may now use your air-powered tool.
 - If using an inflation accessory with a quick-connect fitting, control the amount of air flow with the pressure regulator knob. Turning the knob fully counterclockwise will completely stop the flow of air.
- NOTE:** Always use the minimum amount of pressure necessary for your application. Using a higher pressure than needed will drain air from the tank more rapidly and cause the unit to cycle on more frequently.
- When finished, always drain the tank and unplug the unit. Never leave the unit plugged in and/or running unattended.

WARNING:

Check the air tool manual to insure the correct air pressure regulator setting for optimum operation of your air tools. If you are using an air tool not originally included in the package contents list (not necessarily supplied with the air compressor model you have purchased), your tool may require more air consumption than this air compressor is designed to supply. Always read your air tool owner's manual to match the correct air supply to your air tool to avoid damage to the tool or risk of personal injury.

WARNING:

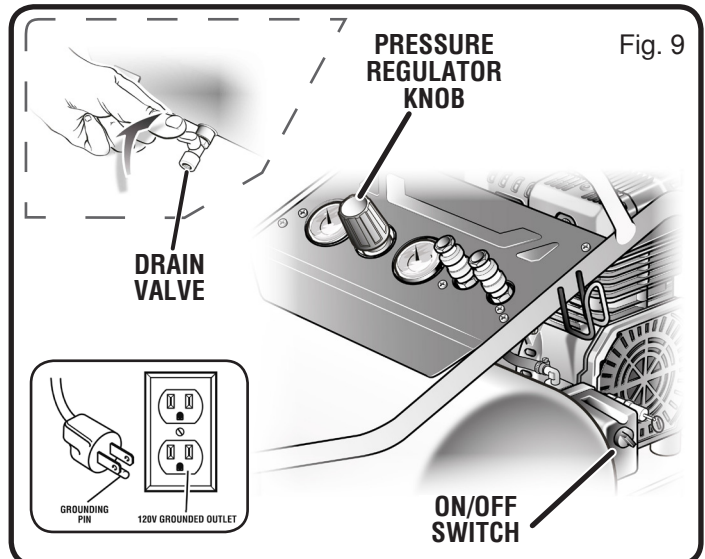
Do not allow familiarity with compressor and tools to make you careless. Remember that a careless fraction of a second is sufficient to inflict serious injury.

WARNING:

Always wear safety goggles or safety glasses with side shields when operating compressor. Failure to do so could result in objects being thrown into your eyes resulting in possible serious injury.

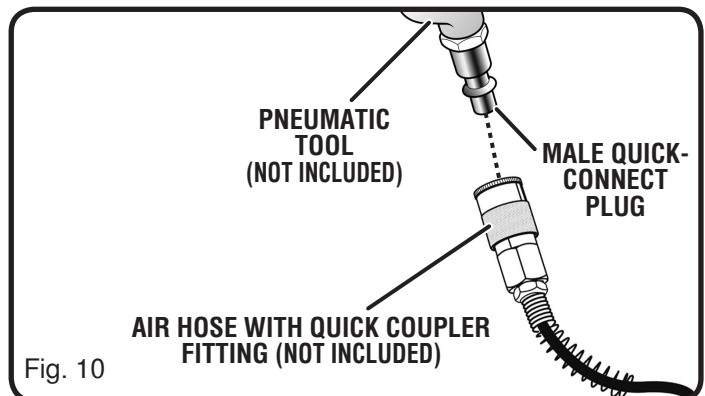
CAUTION:

Do not use in an environment that is dusty or otherwise contaminated. Using the air compressor in this type of environment may cause damage to the unit.



WARNING:

Always ensure the switch is in the **OFF (O)** position and the regulator pressure gauge reads zero before changing air tools or disconnecting the hose from the air outlet. Failure to do so could result in possible serious personal injury.



OPERATION

DRAINING THE TANK

See Figure 11.

To help prevent tank corrosion and keep moisture out of the air used, the tank of the compressor should be drained daily.

To drain:

- Verify that the compressor is turned off.
 - Holding the handle, tilt the compressor toward the drain valve so that it's set in a lower position.
 - Open the drain valve by rotating it ¼ turn counterclockwise.
 - Keep the compressor tilted until all moisture has been removed.
 - Drain moisture from tank into a suitable container.
- NOTE:** Condensate is a polluting material and should be disposed of in compliance with local regulations.
- If drain valve is clogged, release all air pressure by pulling the safety valve. Remove and clean valve, then reinstall.

⚠ WARNING:

Unplug the air compressor and release all air from the tank before servicing. Failure to depressurize tank before attempting to remove valve may cause serious personal injury.

- Close the drain valve by rotating it ¼ turn clockwise.

CHECKING THE SAFETY VALVE

See Figure 12.

⚠ WARNING:

Do not attempt to tamper with safety valve. Anything loosened from this device could fly up and hit you. Failure to heed this warning could result in death or serious personal injury.

The safety valve will automatically release air if the air receiver pressure exceeds the preset maximum. The valve should be checked before each day of use by pulling the ring by hand.

- Turn the air compressor on and allow the tank to fill. The compressor will shut off when the pressure reaches the preset maximum.
- Turn the air compressor off.
- Pull the ring on the safety valve to release air for three to five seconds.
- Release the ring. Air must immediately stop escaping when the ring is released. Any continued loss of air after releasing the safety valve ring indicates a problem with the safety valve. Discontinue use and seek service before continued use of the air compressor.

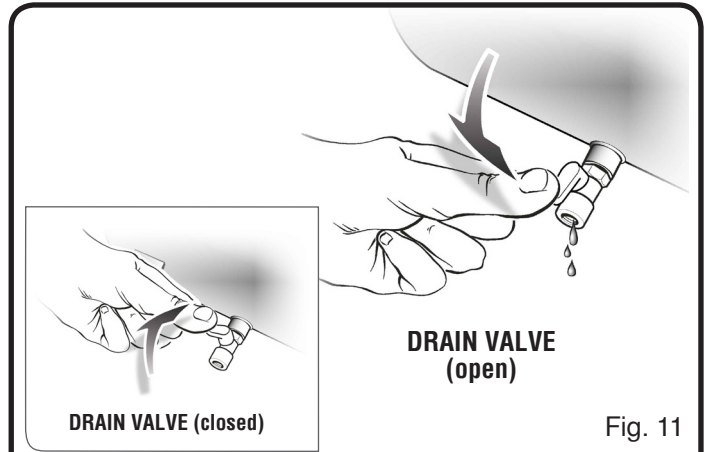


Fig. 11

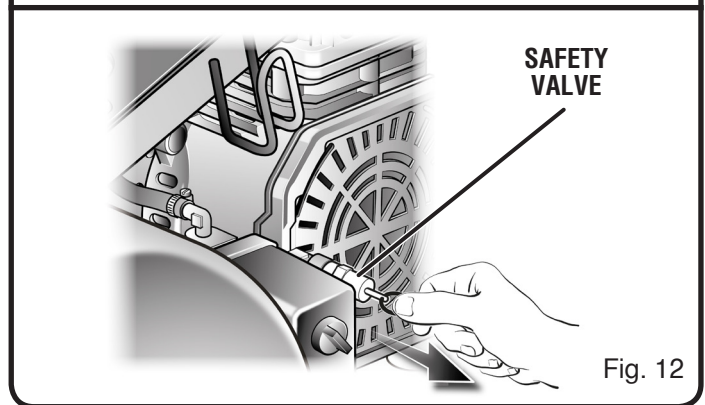


Fig. 12

⚠ WARNING:

If air leaks after the ring has been released, or if the valve is stuck and cannot be actuated by the ring, do not use the air compressor until the safety valve has been replaced. Use of the air compressor in this condition could result in serious personal injury.

END OF OPERATION/STORAGE

- Turn the ON/OFF switch to the **OFF (O)** position.
- Unplug power cord from wall outlet and wrap around handle area to prevent damage when not in use.
- Wearing safety glasses, drain tank of air by pulling the ring on the safety valve. Use other hand to deflect fast moving air from being directed toward your face.
- Drain tank of condensation by opening drain valve on bottom of tank. Tank pressure should be below 10 PSI when draining tank.
- Air hose should be disconnected from compressor and hung open ends down to allow any moisture to drain.
- Compressor and hose should be stored in a cool, dry place.
- Compressor can be stored in horizontal and vertical position.

⚠ WARNING:

Always drain the tank before to store compressor in vertical position.

MAINTENANCE

WARNING:

When servicing, use only identical replacement parts. Use of any other parts may create a hazard or cause product damage.

WARNING:

Always wear safety goggles or safety glasses with side shields during compressor operation or when blowing dust. If operation is dusty, also wear a dust mask.

WARNING:

Always release all pressure, disconnect from power supply, and allow unit to cool to the touch before cleaning or making repairs on the air compressor.

GENERAL MAINTENANCE

Humidity in the air causes condensation to form in the air tank. This condensation should be drained daily and/or every hour, using the instructions found in **Draining the Tank**.

The safety valve automatically releases air if the air receiver pressure exceeds the preset maximum. Check the safety valve before each use following the instructions found in **Checking the Safety Valve**.

Inspect the tank yearly for rust, pin holes, or other imperfections that could cause it to become unsafe.

Avoid using solvents when cleaning plastic parts. Most plastics are susceptible to damage from various types of commercial solvents and may be damaged by their use. Use clean cloths to remove dirt, dust, oil, grease, etc.

WARNING:

Do not at any time let brake fluids, gasoline, petroleum-based products, penetrating oils, etc., come in contact with plastic parts. Chemicals can damage, weaken or destroy plastic which may result in serious personal injury.

LUBRICATION

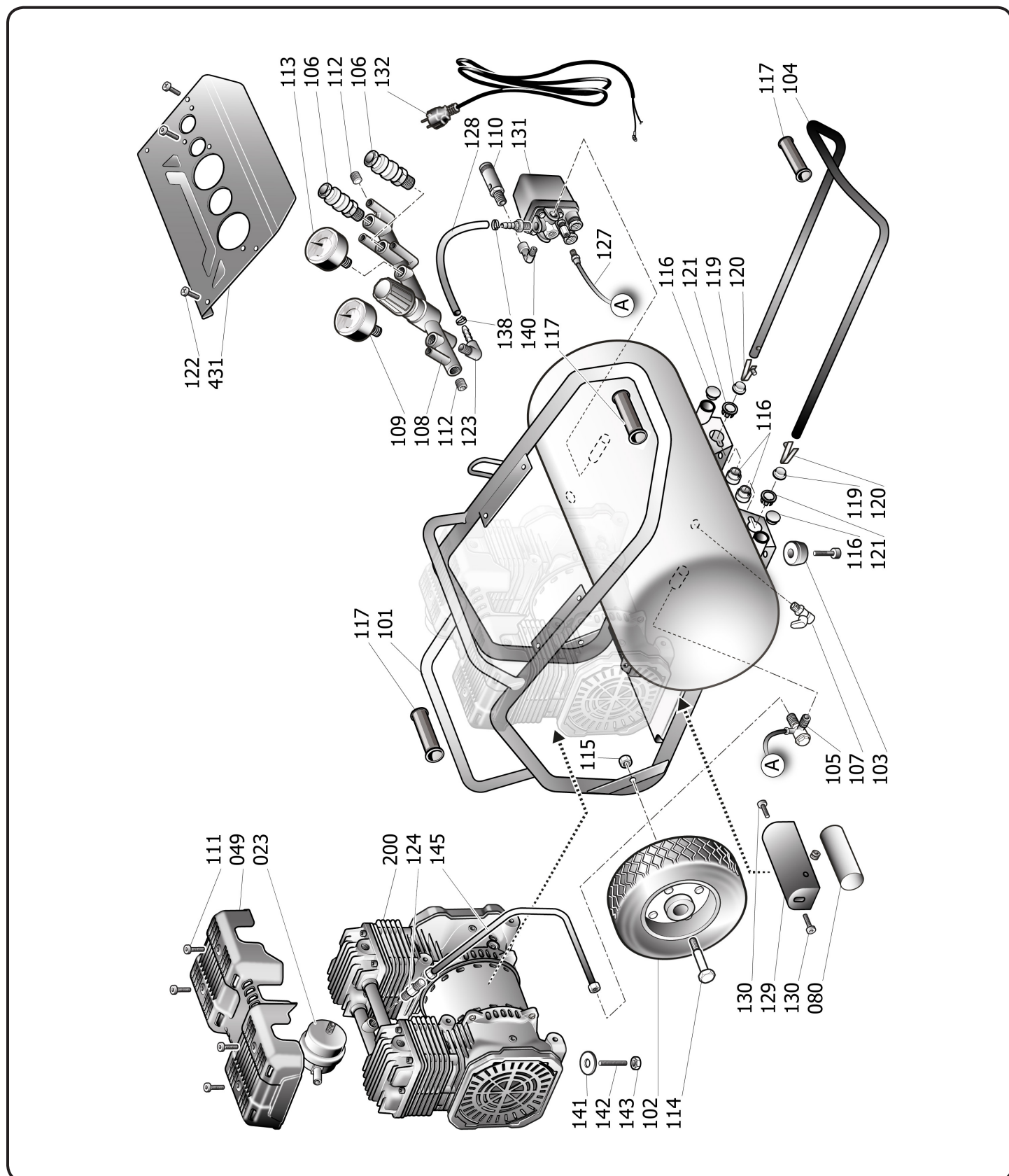
All the bearings in this compressor are lubricated with a sufficient amount of high grade lubricant for the life of the unit under normal operating conditions. Therefore, no further lubrication of the bearings is required.

TROUBLESHOOTING

Problem	Possible Cause	Solution
The compressor does not run.	<p>Loss of power or overheating. There is no electrical power being supplied to compressor or the power switch is in the OFF position. A fuse has blown at the power supply. A breaker has tripped at the power supply. Thermal overload open.</p> <p>The pressure switch is bad. Tank is full of air.</p>	<p>Check for proper use of extension cord. Check to be sure the compressor is plugged in and the power switch is in the ON position.</p> <p>Replace the fuse at the power supply. Reset the breaker at the power supply and determine why the problem happened. First unplug the compressor, drain the tank pressure, and wait until it becomes cool. Motor will restart when cool. Replace the pressure switch. Compressor will turn on when tank pressure drops to cut-in pressure.</p>
The motor hums, but does not run or runs slowly.	<p>The voltage from the power supply is low. The wire gauge or the length of extension cord is wrong. The motor winding is shorted or broken. The unloader or check valve is defective.</p>	<p>Check the voltage with a voltmeter. Use the correct wire gauge and length extension cord. Contact ROLAIR Customer Service (800)310-3573 Contact ROLAIR Customer Service (800)310-3573</p>
The fuses blow or the circuit breaker trips repeatedly.	<p>The fuse size is incorrect or the circuit is overloaded.</p> <p>The gauge wire or the length of extension cord is wrong. The unloader or check valve is defective.</p>	<p>Check the fuse or breaker at the power supply is the correct size and type. Be sure to use only time-delay fuses to avoid overloading a circuit, disconnect other electrical appliances from circuit or operate compressor on its own branch circuit. Use the correct wire gauge and length extension cord. Take the compressor to a service center.</p>
The thermal overload protector cuts out repeatedly.	<p>The voltage from the power supply is low. A poorly ventilated room is causing the motor to overheat. The gauge wire or the length of extension cord is wrong.</p>	<p>Check the voltage with a voltmeter. Move the compressor to well-ventilated area. Check for proper gauge wire and cord length.</p>
The air receiver pressure drops when the compressor shuts off.	<p>The connections are loose or leaking (fittings, tubing, etc.). The drain valve is loose. The check valve is leaking.</p>	<p>Check all the connections with soapy water and look for bubbles. Tighten any loose connections until the leak stops. Tighten the drain valve. Contact ROLAIR Customer Service for assistance.</p> <div style="border: 1px solid black; padding: 5px; margin-top: 10px;"> <p>⚠ WARNING: Do not disassemble check valve while air is in tank - empty the all the air out of the tank before disassembly.</p> </div>
There is excessive moisture in the air discharge.	<p>There is excessive water in the air tank. The humidity is high.</p>	<p>Drain the tank to remove water. Move the compressor to an area of less humidity or use an air line filter to reduce moisture discharge in the tank.</p>
Air is leaking from the compressor.	<p>The hose connection is loose or improperly sealed. The air hose is broken or damaged.</p>	<p>Ensure connections are sealed with thread sealing tape and tightened. Replace the air hose.</p>
The compressor runs continuously.	<p>The tank drain valve is open. The pressure switch is defective. The usage is excessive.</p>	<p>Ensure the tank drain valve is closed. Take the compressor to a service center. Decrease the amount of tool run-time; the compressor is not large enough to supply the air requirement of the tool.</p>
The compressor vibrates.	<p>The compressor mounting bolts are loose.</p>	<p>Tighten mounting bolts.</p>
The air output is lower than normal.	<p>The inlet valves are broken. The connections are leaking.</p>	<p>Contact ROLAIR Customer Service for assistance. Apply thread sealing tape to fitting and tighten.</p>

REPLACEMENT PARTS LIST (continued)

PARTS DIAGRAM - AIR COMPRESSOR



REPLACEMENT PARTS LIST (continued)

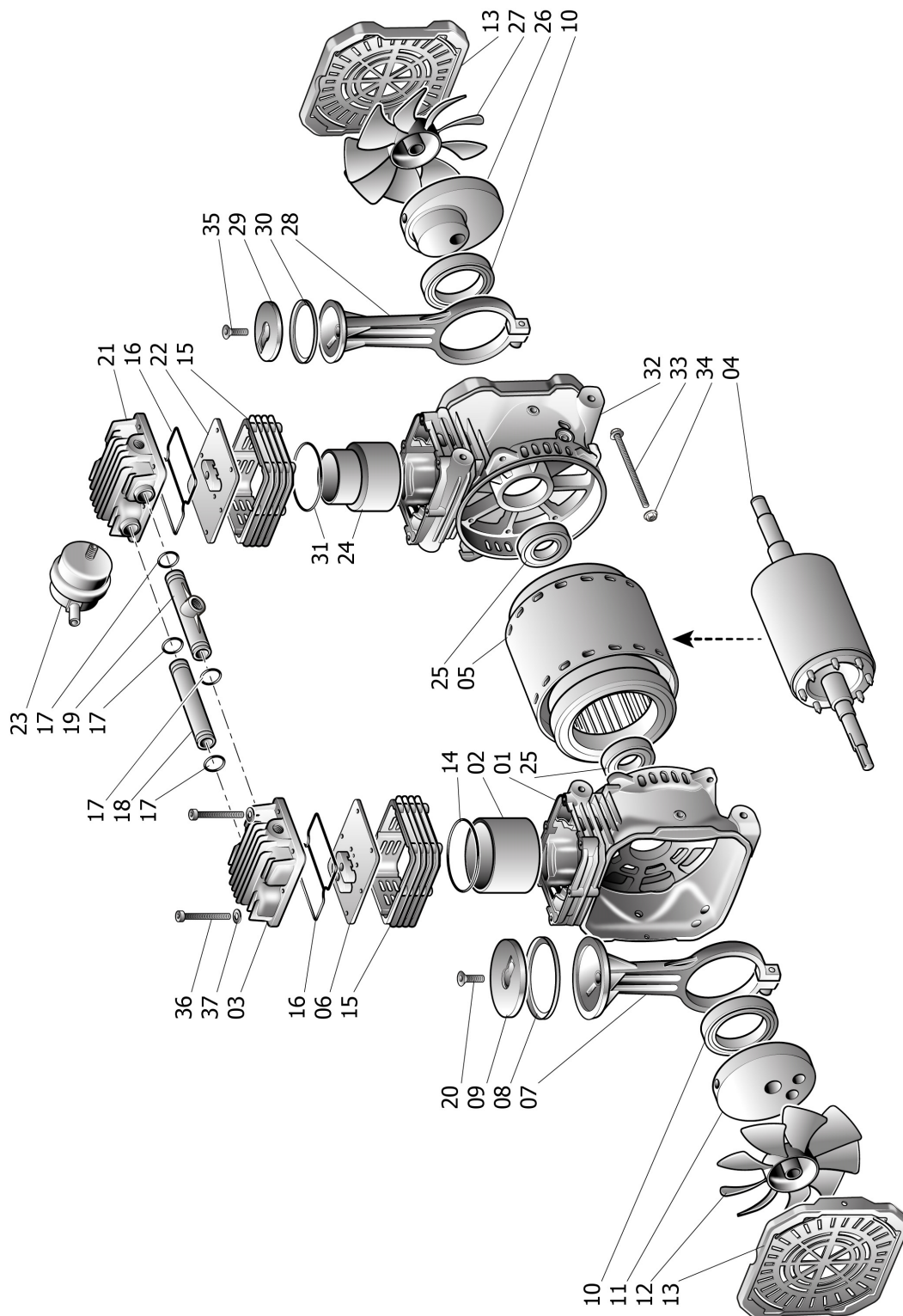
AIR COMPRESSOR PARTS LIST - MODEL NO. FCOL22LS6

The model number will be found on a plate attached to air tank. Always mention the model number in all correspondence regarding your AIR COMPRESSOR or when ordering replacement parts.

Schematic #	Part #	Description	Qty.
023	FCB280100	AIR FILTER	1
049	FC9069385	PLASTIC HEAD COVER	1
080	FC9067059	CAPACITOR	1
101	FC9413843215	AIR TANK W/FRAME & GRIP	1
102	FC9415668	WHEEL	2
103	FCB_SST108	RUBBER FOOT	2
104	FC9083743021	HANDLE	1
105	FC9048147	CHECK VALVE	1
106	FC9047061	QUICK COUPLING	2
107	FC9047091	BALL VALVE TANK DRAIN	1
108	FC9050798	MANIFOLD	1
109	FC9052282	GAUGE 2"	1
110	FCB_N022549	SAFETY VALVE	1
111	FC9104024	SCREW M5 x 1.25 x 16 MM	4
112	FC9054020	PLUG	2
113	FC9052270	GAUGE 2"	1
114	FC9011084	AXLE BOLT	2
115	FC9122362	NUT M10	2
116	FC9038352	HANDLE PLUG	2
117	FC9038599	HANDLE GRIP	3
119	FCB_A16379	HANDLE INSERT	2
120	FC9083428	SNAP BUTTON	2
121	FC9069380	DETENT FOR INSERT	2
122	FC9104139	SCREW M6 x 1.25 x 12 MM	4
123	FC127QC0181	BARB FITTING	1
124	FC9050797	STRAIGHT FITTING	1
127	FC9270046	METRIC NYLON TUBING	8 in"
128	FC9270051	HOSE	10 in"
129	FCN012530	CAPACITOR COVER	1
130	FCB_D28104	SCREW 1/4" x 1/2"	2
131	FC9063317	PRESSURE SWITCH	1
132	FC4100188	POWER CORD WITH PLUG	1
138	FCB_A20009	HOSE CLAMP	2
140	FC9050702	ELBOW 1/4"	1
141	FC9004008	WASHER 8,5 x 30 x 5	4
142	FC9101777	STUD BOLT M8 x 16	4
143	FC9122463	LOCKNUT M8	4
145	FC9043908	DISCHARGE TUBE	1
200	FCB2A0061	COMPLETE MOTOR/PUMP ASSY	1
431	FC9083747021	PANEL	1

REPLACEMENT PARTS LIST (continued)

PARTS DIAGRAM - PUMP UNIT



REPLACEMENT PARTS LIST

PARTS LIST FOR II-STAGE PUMP

Always mention the model number when ordering replacement parts.

Schematic #	Part #	Description	Qty.
01	FCB260504	CRANKCASE (Low Pressure)	1
02	FCB230100	CYLINDER BARREL (Low Pressure)	1
03	FCB260102	HEAD (Low Pressure)	1
04	FC9067766	ROTOR/SHAFT	1
05	FC9067765	STATOR	1
06	FC9417998	VALVE PLATE ASSEMBLY (Low Pressure)	1
07	FCB210101	CONROD (Low Pressure)	1
08	FC9040054	PISTON RING (Low Pressure)	1
09	FCB260301	CONROD COVER (Low Pressure)	1
10	FC9170138	BEARING 61909.....	2
11	FCB260403	COUNTERWEIGHT (Low Pressure)	1
12	FC9069360	FAN Q2 2ST (LEFT)	1
13	FC9069362	FAN PROTECTOR	2
14	FC9417873	GASKET VALVE PLATE (Low Pressure)	1
15	FCB260200	SPACER CYLINDER	2
16	FCB250100	GASKET HEAD	2
17	FC9417871	O-RING 3056	8
18	FC9050765	HEAD CONNECTING PIPE	1
19	FC9050766	HEAD CONNECTING PIPE "T"	1
20	FC9103287	SCREW TSEI M8 x 25	1
21	FCB260103	HEAD (High Pressure)	1
22	FC9417999	VALVE PLATE ASSEMBLY (High Pressure)	1
23	FCB280100	AIR FILTER	1
24	FC9418048	KIT CYLINDER BARREL / SEAT (High Pressure).....	1
25	FC9170144	BEARING 6204.....	2
26	FCB260400	COUNTERWEIGHT (High Pressure).....	1
27	FC9069361	FAN (RIGHT)	1
28	FCB210100	CONROD (High Pressure)	1
29	FCB260300	CONROD COVER (High Pressure)	1
30	FC9040053	PISTON RING (High Pressure)	1
31	FC9417872	GASKET VALVE PLATE (High Pressure)	1
32	FCB260500	CRANKCASE (High Pressure)	1
33	FC9101601	SCREW TCEI M5 x 135	4
34	FC9416606	FLANGE NUT M5.8	4
35	FC9103284	SCREW TSEI M6 x 20	1
36	FC#014011043	SCREW TCEI M6 x 70	12
37	FC#014008008	SPRING WASHER D6.1 x 1.6	12



Guarantee

Associate Engineering Corporation warrants that all ROLAIR compressors will be free of defects in material and workmanship for a period of twelve months from the date of initial retail purchase, or eighteen months from the date of manufacture, whichever may occur first.

Should any failure to conform to this warranty be reported to the company within said period, the company shall, upon purchaser shipping the compressor to our plant transportation prepaid, correct such nonconformity by suitable repair or, at its option, furnish a replacement part F.O.B. our plant.

Associate Engineering Corporation shall not be liable for any unauthorized repairs, replacements, adjustments to the compressors, or the costs of labor performed by the purchaser.

This warranty is expressly in lieu of all other warranties expressed, implied or statutory (including, but not limited to, warranties of merchantability and fitness for purpose) and of any other obligations, and/or liabilities on the part of Associate Engineering Corporation. Associate Engineering Corporation neither assumes nor authorizes any other person to assume for it any other obligations or liability in connection with or with respect to any compressor.

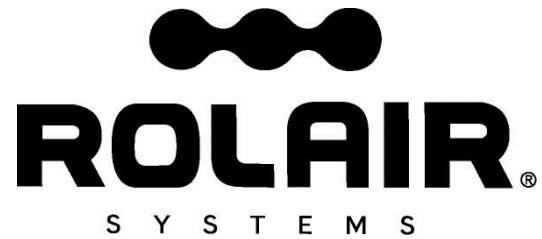
Associate Engineering Corporation shall in no event be liable neither for any consequential, incidental or special damages nor for the improper selection of any compressor for a particular application.

Quality

Associate Engineering Corporation is devoted to continual quality control and thorough research of the products we build. It is our creed to give you, the user, all of the experience and engineering available in the production of every piece of equipment we produce.

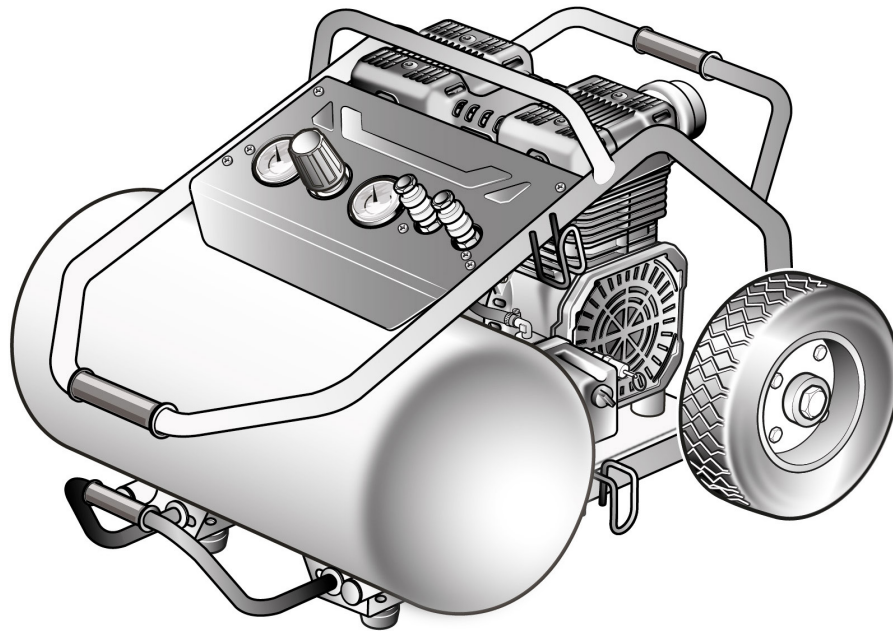
Our line covers the complete needs of today's varied air requirements. Rely on ROLAIR for all the newest and finest features that are available for the modern compressor.





COMPRESSEUR D'AIR SUR ROUES SILENCIEUX À 2 ÉTAGES DE 5,5 GALLONS

NOTICE DE MONTAGE ET DE FONCTIONNEMENT



606 South Lake Street > P.O. Box 346 > Hustisford, WI 53034-0346 > 920.349.3281 > fax 920.349.3691 > www.rolair.com



IMPORTANT



NE PAS RETOURNER AU MAGASIN

La présente unité ayant été entièrement testée et inspectée avant son envoi, le fonctionnement correct de celle-ci est assuré si l'on s'en tiendra aux consignes indiquées dans la notice. Consulter le manuel de l'utilisateur pour tout diagnostic de base des problèmes. **Pour éviter de retourner au magasin si ce n'est pas nécessaire, appeler simplement le numéro vert du Centre d'Appel Compresseur pour toute assistance ultérieure.**



PO Box 346, Hustisford, WI 53034,
1-800-310-3573

Tenir le numéro de modèle et le numéro de série à portée de main. Ceux-ci peuvent être repérés sur le label d'ensemble de données du produit. Conserver une copie du reçu portant la date d'achat, à produire le cas échéant.

AVERTISSEMENT

- Le Compresseur de l'air sera coupé automatiquement quand le PSI maximal est atteint. Quand la pression de gouttes baisse pour couper dans pression (pression basse) et le changement de on/off est dans la position ON (allumé), l'unité recommencera automatiquement.
- De temps en temps, la pression maximale dans le réservoir restera jusqu'au prochain emploi pour résulter en un sens d'aucune puissance. (*Voir la balle au-dessus*).
- Pour éviter la perte de puissance et le surchauffage, et pour assurer le démarrage facile, utilisez des tuyaux à air additionnels au lieu de cordons prolongateur.

TABLE DES MATIÈRES

- Introduction2
- Règles de sécurité générales.....3-4
- Règles de sécurité particulières4-5
- Symboles.....6-7
- Caractéristiques électriques8
- Glossaire9
- Caractéristiques10-11
- Assemblage.....11-12
- Transport13
- Utilisation.....14-15
- Entretien16
- Dépannage.....17
- Liste des pièces de rechange.....18-21
- Garantie.....22

INTRODUCTION

Ce compresseur offre de nombreuses fonctions destinées à rendre son utilisation plus plaisante et satisfaisante. Lors de la conception de ce produit, l'accent a été mis sur la sécurité, les performances et la fiabilité, afin d'en faire un compresseur facile à utiliser et à entretenir.

DANGER

Ce compresseur / pompe n'est pas équipé et ne doit pas être utiliser pour fournir de l'air de qualité respirable. Un équipement supplémentaire est nécessaire pour filtrer et purifier l'air conformément aux spécifications minimum d'air respirable de qualité D G 7.1 - 1966, OSHA 29 CFR 1910. 134 de la Compressed Gas Association, 14501 George Carter Way, Suite 103, Chantilly VA 20151-1788, (703) 788-2700, www.cganet.com. Un tel équipement n'a pas été examiné et nulle implacation d'utilisation propre pour l'air respirable n'est prévue ou implicite.

Si ce compresseur est modifié sous quelque manière que ce soit, les garanties en vigueur seront déclarées nulles et non avenues. Le vendeur déclinera toute responsabilité pour les pertes, les blessures et les dommages à la suite de son utilisation.

RÈGLES DE SÉCURITÉ GÉNÉRALES (a continué)

AVERTISSEMENT :

Lire et veiller à bien comprendre toutes les instructions. Le non-respect de toutes les instructions ci-dessous peut entraîner un choc électrique, un incendie et/ou des blessures graves.

CONSERVER CES INSTRUCTIONS

LIEU DE TRAVAIL

- **Garder le lieu de travail propre et bien éclairé.** Les établis encombrés et les endroits sombres sont propices aux accidents. Le sol ne doit pas être rendu glissant par de la cire ou de la sciure.
- **Ne pas utiliser le compresseur dans des atmosphères explosives, par exemple en présence de liquides, gaz ou poussières inflammables.** Les compresseurs produisent des étincelles risquant d'enflammer les poussières ou vapeurs.
- **Garder les badauds, enfants et visiteurs à l'écart pendant l'utilisation d'outils.** Les distractions peuvent causer une perte de contrôle.
- **Utiliser le compresseur d'air dans un endroit dégagé, à au moins 45 cm (18 po) de toute paroi ou objet risquant de gêner l'entrée de l'air dans les ouvertures de ventilation.**

SÉCURITÉ ÉLECTRIQUE

- **Éviter tout contact du corps avec des surfaces mises à la terre, telles que tuyaux, radiateurs, cuisinières et réfrigérateurs.** Le risque d'électrocution est accru lorsque le corps est mis à la terre.
- **Ne pas exposer le compresseur à la pluie ou l'humidité.** La pénétration d'eau dans un compresseur accroît le risque de choc électrique.
- **Ne pas maltraiter le cordon d'alimentation. Ne jamais utiliser le cordon d'alimentation pour transporter le compresseur et ne jamais débrancher ce dernier en tirant sur le cordon. Garder le cordon à l'écart de la chaleur, de l'huile, des objets tranchants et des pièces en mouvement. Remplacer immédiatement tout cordon endommagé.** Un cordon endommagé accroît le risque d'électrocution.
- **Pour les travaux à l'extérieur, utiliser un cordon spécialement conçu à cet effet, marqué « W-A » ou « W ».** Ces cordons sont spécifiques à l'emploi en plein-air et réduisent les risques d'électrocution.

SÉCURITÉ PERSONNELLE

- **Lors du chargement, de l'utilisation ou de l'entretien de ce compresseur, l'opérateur et les personnes se trouvant sur le lieu de travail doivent TOUJOURS porter un dispositif oculaire à protection FRONTALE et LATÉRALE, conforme aux normes ANSI.** Une telle protection est requise, car les clous / agrafes et débris

projetés peuvent causer des lésions oculaires graves.

- **Il incombe à l'employeur et/ou l'utilisateur de veiller à ce qu'une protection oculaire adéquate soit utilisée.** Nous recommandons d'utiliser un masque facial à champ de vision se portant par-dessus des lunettes de vue ou de sécurité et protégeant des débris projetés sur le devant et les côtés. Toujours porter une protection oculaire certifiée conforme à la norme ANSI Z87.1.
- **Des équipements de protection supplémentaires sont requis dans certains environnements.** Par exemple, le lieu de travail peut présenter un niveau de bruit susceptible d'entraîner des lésions auditives. Il incombe à l'opérateur et à l'utilisateur qu'une protection auditive soit fournie et utilisée par l'opérateur et les autres personnes se trouvant sur le lieu de travail. Certains environnements requièrent le port d'un casque. Il incombe à l'employeur et/ou l'utilisateur de veiller à ce qu'un casque conforme à la norme ANSI Z89.1 soit utilisé.
- **Rester attentif, prêter attention au travail et faire preuve de bon sens lors de l'utilisation d'un compresseur. Ne pas utiliser cet outil en état de fatigue ou sous l'influence d'alcool, de drogues ou de médicaments.** Un moment d'inattention pendant l'utilisation des compresseur peut entraîner des blessures graves.
- **Porter une tenue appropriée. Ne porter ni vêtements amples, ni bijoux. Attacher ou couvrir les cheveux longs. Garder les cheveux, les vêtements et les gants à l'écart des pièces en mouvement.** Les vêtements amples, bijoux et cheveux longs peuvent se prendre dans les pièces en mouvement.
- **Ne pas travailler hors de portée. Toujours se tenir bien campé et en équilibre.** Une bonne tenue et un bon équilibre permettent de mieux contrôler l'outil en cas de situation imprévue.
- **Utiliser l'équipement de sécurité. Toujours porter une protection oculaire.** Suivant les conditions, le port d'un masque antipoussière, de chaussures de sécurité, d'un casque ou d'une protection auditive est recommandé.
- **Ne pas utiliser l'outil sur une échelle ou un support instable.** Une bonne tenue et un bon équilibre permettent de mieux contrôler l'outil en cas de situation imprévue.
- **L'air de votre compresseur n'est pas respirable sans danger et peut contenir du monoxyde de carbone.** N'inhaliez jamais d'air comprimé directement à partir de la pompe, du réservoir, du récepteur ou de l'appareil respiratoire connecté au compresseur d'air. Le compresseur n'est pas équipé de filtres adaptés ni d'équipements de sécurité en ligne pour la consommation humaine. N'utilisez pas l'air évacué pour respirer

UTILISATION ET ENTRETIEN DU COMPRESSEUR

- **Ne pas dépasser les pressions nominales des composants du système.**
- **Protégez les lignes électriques et les conduites d'air contre les dommages ou les perforations.** Garder le

RÈGLES DE SÉCURITÉ GÉNÉRALES

flexible et le cordon d'alimentation électrique à l'écart de la chaleur, de l'huile, des solvants et sols humides ou mouillés.

- **Vérifiez les flexibles pour déceler des fuites ou un état d'usure avant chaque utilisation, en vous assurant que toutes les connexions sont bien fixées.** Ne pas utiliser le compresseur si les flexibles ne sont pas en bon état. Acheter de nouveaux flexibles ou contacter un centre de réparations agréé, pour les faire inspecter ou réparer.
- **Relâcher toutes les pressions du système lentement.** La projection de poussières et de débris peut être dangereuse (s'ils sont expulsés trop rapidement sous pression).
- **Ranger les outils non utilisés hors de portée des enfants et des personnes n'ayant pas reçu des instructions adéquates.** Dans les mains de personnes n'ayant pas reçu des instructions adéquates, les outils sont dangereux.
- **Entretien soigneusement les outils.** Respecter toutes les instructions d'entretien. Les outils correctement entretenus sont plus faciles à contrôler.
- **Vérifier qu'aucune pièce mobile n'est mal alignée, grippée ou brisée et s'assurer qu'aucun autre problème risque d'affecter le bon fonctionnement du compresseur. En cas de dommages, faire réparer le compresseur avant de l'utiliser de nouveau.** Beaucoup d'accidents sont causés par des compresseurs mal entretenus.
- **Ne pas pointer un outil quel qu'il soit vers soi ou d'autres personnes.**
- **Garder l'extérieur du compresseur sec, propre et exempt d'huile ou de graisse.** Toujours utiliser un chiffon

propre pour le nettoyage. Ne jamais utiliser de liquide de freins, d'essence, de produits à base de pétrole ou de solvants puissants pour nettoyer le compresseur. Le respect de cette règle réduira les risques de perte du contrôle et d'endommagement du boîtier en plastique.

- **N'utilisez pas de générateur comme source d'alimentation.** Les compresseurs d'air utilisent des moteurs à induction. La plupart des générateurs ne fournissent pas la puissance nécessaire pour démarrer correctement ce type de moteur. Les défaillances dues à l'utilisation d'un générateur ne sont pas couvertes par la garantie.

DÉPANNAGE

- **Le dépannage du compresseur doit être confié exclusivement à un personnel qualifié.** Les réparations ou entretiens effectués par des personnes non qualifiées présentent des risques de blessures.
- **Débrancher le compresseur, ouvrir lentement le robinet de purge pour relâcher la pression, laisser l'eau s'écouler et laisser la machine refroidir avant de procéder à tout entretien.** Après avoir arrêté le compresseur, tourner le bouton du détendeur à fond vers la droite.
- **Utiliser exclusivement des pièces identiques à celles d'origine pour les réparations. Se conformer aux instructions de la section Entretien de ce manuel.** L'usage de pièces non autorisées ou le non respect des instructions d'entretien peut présenter des risques de blessures.

RÈGLES DE SÉCURITÉ PARTICULIÈRES (a continué)

- **Apprendre à connaître le compresseur.** Lire attentivement le manuel d'utilisation. Apprendre les applications et les limites du compresseur, ainsi que les risques spécifiques relatifs à son utilisation. Le respect de cette règle réduira les risques d'incendie, de choc électrique et de blessures.
- **Purger le réservoir après chaque journée de travail.** Si le compresseur ne doit pas être utilisé pendant un certain temps, il est préférable de laisser le robinet de purge ouvert. Cela permettra d'évacuer complètement l'humidité et aidera à empêcher la corrosion de l'intérieur du réservoir.
- **Risque d'incendie ou d'explosion.** Ne pas vaporiser de liquides inflammables dans un endroit confiné. La zone de pulvérisation doit être bien ventilée. Ne pas fumer pendant la pulvérisation ou pulvériser en présence de flammes. Garder les compresseurs le plus loin possible des zones de pulvérisation, au moins à 4,6 m (15 pi) de la zone de pulvérisation et de toutes vapeurs explosives.
- **Risque d'éclatement.** Ne pas régler le détendeur à une pression de sortie supérieure à la pression nominale de l'accessoire utilisé. Ne pas utiliser à une pression supérieure à la pression nominale maximale du compresseur.
- **Si connecté à un circuit protégé par des fusibles, utiliser des fusibles coussinets avec ce produit.**
- **Pour réduire le risque de choc électrique, ne pas exposer à la pluie.** Remiser à l'intérieur.
- **Une fois l'an, s'assurer que le réservoir n'est pas rouillé ou piqué et ne présente aucun défaut risquant de le rendre dangereux.** Ne jamais percer ou souder le réservoir.
- **S'assurer que le flexible n'est ni bloqué, ni accroché.** Un flexible emmêlé ou entortillé peut causer une perte d'équilibre et être endommagé.
- **Le compresseur ne doit être utilisé que pour les applications pour lesquelles il est conçu. Ne pas altérer ou modifier le compresseur ou l'utiliser pour des applications pour lesquelles il n'est pas conçu.**
- **Ne jamais oublier qu'un usage incorrect ou abusif de ce compresseur peut mettre l'opérateur et les autres personnes présentes en danger.**
- **Ne jamais laisser le compresseur sans surveillance avec le flexible d'air branché.**
- **Ne pas utiliser ce compresseur s'il ne comporte pas d'autocollant d'avertissement.**

RÈGLES DE SÉCURITÉ PARTICULIÈRES

- **Ne pas utiliser un outil qui présente des fuites d'air ou ne fonctionne pas correctement.**
- **Relâchez toujours complètement la pression d'air et débranchez l'alimentation électrique** avant d'effectuer des réglages, d'entretenir un compresseur ou lorsqu'un compresseur n'est pas utilisé.
- **Ne pas essayer de tirer ou de transporter le compresseur par son flexible.**
- **La consommation d'air de l'outil peut être supérieure à la capacité de ce compresseur.**
- **Risque d'incendie ou d'explosion lorsqu'un liquide combustible est pulvérisé, en particulier en milieu fermé.** Lire le manuel d'utilisation avant de procéder.
- **Pièces pouvant produire un arc électrique.** Utiliser un tuyau de pistolet d'au moins 7.6 m et tenir le compresseur/moteur à au moins 6 m des vapeurs explosives.
- **Toujours respecter les consignes de sécurité du fabricant de l'outil pneumatique, ainsi que toutes les règles de sécurité d'utilisation du compresseur.** Le respect de cette consigne réduira les risques de blessures graves.
- **Ne jamais diriger le jet d'air comprimé vers des personnes ou animaux. Veiller à ne pas projeter de la poussière ou de la saleté vers soi-même ou d'autres personnes.** Le respect de cette règle réduira les risques de blessures graves.
- **Protection respiratoire.** Porter un masque facial ou respiratoire si le travail produit de la poussière. Le respect de cette règle réduira les risques de blessures graves.
- **Ne pas utiliser ce compresseur pour la pulvérisation de produits chimiques.** L'inhalation de vapeurs toxiques peut causer des lésions pulmonaires. Le port d'un respirateur peut être nécessaire dans les environnements poussiéreux ou lors de la pulvérisation de peinture. Ne pas porter lorsque vous êtes en train de peindre.
- **Inspectez périodiquement les câbles électriques et les flexibles. S'ils sont endommagés, les confier au centre de réparations agréé le plus proche. Toujours être conscient de l'emplacement du cordon.** Le respect de cette consigne réduira les risques de choc électrique et d'incendie.
- **Ne jamais utiliser un adaptateur électrique avec cette prise de terre.**
- **Vérifier l'état des pièces. Avant d'utiliser le compresseur de nouveau, examiner soigneusement les pièces et dispositifs de protection qui semblent endommagés afin de déterminer s'ils fonctionnent correctement et remplissent les fonctions prévues. Vérifier l'alignement des pièces mobiles, s'assurer qu'aucune pièce n'est bloquée ou cassée, vérifier la fixation de chaque pièce et s'assurer qu'aucun autre problème ne risque d'affecter le bon fonctionnement du compresseur. Toute protection ou pièce endommagée doit être correctement réparée ou remplacée dans un centre de réparations agréé.** Le respect de cette consigne réduira les risques de choc électrique, d'incendie et de blessures graves.
- **S'assurer que le cordon prolongateur est en bon état.** Si un cordon prolongateur est utilisé, s'assurer que sa capacité est suffisante pour supporter le courant de fonctionnement du compresseur. Un calibre de fil (A.W.G) d'au minimum 12 est recommandé pour un cordon prolongateur de 15 mètres (50 pi) maximum. L'usage d'un cordon de plus de 30 mètres (100 pi) est déconseillé. En cas de doute, utiliser un cordon du calibre immédiatement supérieur. Moins le numéro de calibre est élevé, plus la capacité du fil est grande. Un cordon de capacité insuffisante causerait une baisse de la tension de ligne, entraînant une perte de puissance et une surchauffe.



AVERTISSEMENT :













Ce produit pourrait vous exposer à des produit chimiques comprenant du plomb, connu par l'état de Californie pour causer des cancers et des malformations à la naissance ou d'autres effets nefastes pour la reproduction. Plus de détails à www.p65warnings.ca.gov.

- **Conserver ces instructions.** Les consulter fréquemment et les utiliser pour instruire les autres utilisateurs éventuels. Si ce compresseur est prêt, il doit être accompagné de ces instructions.

SYMBOLES (a continué)




Certains des symboles ci-dessous peuvent être utilisés sur ce compresseur. Veiller à les étudier et à apprendre leur signification.

Une interprétation correcte de ces symboles permettra d'utiliser le compresseur plus efficacement et de réduire les risques.

SYMBOLE	NOM	DÉSIGNATION / EXPLICATION
V	Volts	Tension
A	Ampères	Intensité
Hz	Hertz	Fréquence (cycles par seconde)
~	Courant alternatif	Type de courant
	Construction de classe II	Construction à double isolation.
	Avertissement concernant l'humidité	Ne pas exposer à la pluie ou l'humidité.
	Lire le manuel d'utilisation	Pour réduire les risques de blessures, l'utilisateur doit lire et veiller à bien comprendre le manuel d'utilisation avant d'utiliser ce produit.
	Protection oculaire	Toujours porter des lunettes de sécurité étanches ou munies d'écrans latéraux ou un masque facial intégral lors de l'utilisation de ce produit.
	Symbole d'alerte de sécurité	Précautions destinées à assurer la sécurité.
	Risque d'éclatement	Ne pas régler le détendeur à une pression de sortie supérieure à la pression nominale de l'accessoire utilisé. Ne pas utiliser à une pression supérieure à la pression nominale maximale du compresseur.
	Risque d'incendie ou d'explosion	Ne pas vaporiser de liquides inflammables dans un endroit confiné. La zone de pulvérisation doit être bien ventilée. Ne pas fumer pendant la pulvérisation ou pulvériser en présence de flammes. Garder les compresseurs le plus loin possible des zones de pulvérisation, au moins à 4,6 m (15 pi) de la zone de pulvérisation et de toutes vapeurs explosives.
	Risque de choc électrique	Tension dangereuse : Débrancher de la prise secteur avant de faire des réparations. Le compresseur doit être mis à la terre.
	Surface brûlante	Pour éviter les risques de blessures ou de dommages, éviter tout contact avec les surfaces brûlantes.
	Risques pour l'ouïe	Porter toujours une protection pour les oreilles quand vous utilisez ce compresseur. Il peut y avoir un problème dans la perte de l'ouïe.
	Risques d'inhalation	L'air sortant directement du compresseur ne doit jamais être utilisé pour la respiration.
	Évacuez l'humidité tous les jours	Purger le réservoir tous les jours.

SYMBOLES

Les termes de mise en garde suivants et leur signification ont pour but d'expliquer le degré de risques associé à l'utilisation de ce produit.

SYMBOLE	SIGNAL	SIGNIFICATION
	DANGER :	Indique une situation extrêmement dangereuse qui, si elle n'est pas évitée, aura pour conséquences des blessures graves ou mortelles.
	AVERTISSEMENT :	Indique une situation potentiellement dangereuse qui, si elle n'est pas évitée, aura pour conséquences des blessures graves ou mortelles.
	ATTENTION :	Indique une situation potentiellement dangereuse qui, si elle n'est pas évitée, aura pour conséquences des blessures légères ou de gravité modérée.
	ATTENTION :	(Sans symbole d'alerte de sécurité.) Indique une situation pouvant entraîner des dommages matériels.

DÉPANNAGE

Le dépannage exigeant des précautions extrêmes et la connaissance du système, il ne doit être confié qu'à un technicien de service qualifié. En ce qui concerne les réparations, nous recommandons de confier le produit au **CENTRE DE RÉPARATIONS AGRÉÉ** le plus proche. Utiliser exclusivement des pièces identiques à celles d'origine pour les réparations.



AVERTISSEMENT :

Pour éviter des blessures graves, ne pas essayer d'utiliser ce produit avant d'avoir lu entièrement et bien compris toutes les instructions contenues dans le manuel d'utilisation. Conserver ce manuel d'utilisation et le consulter fréquemment, afin d'assurer le maintien de la sécurité et de pouvoir instruire les autres utilisateurs éventuels.

AVERTISSEMENT :



L'utilisation de tout compresseur peut causer la projection d'objets en direction du visage et entraîner des lésions oculaires graves. Lors de l'utilisation du compresseur, toujours porter des lunettes de sécurité étanches ou à coques latérales ou, si nécessaire, un masque facial intégral. Nous recommandons d'utiliser un masque facial à champ de vision élargi, plutôt que des lunettes de vue ou des lunettes de sécurité munies d'écrans latéraux. Toujours porter une protection oculaire certifiée conforme à la norme ANSI Z87.1.

CARACTÉRISTIQUES ÉLECTRIQUES

CORDONS PROLONGATEURS

Utiliser exclusivement des cordons prolongateurs à 3 fils dotés d'une fiche à prise de terre branchés sur une prise triphasée compatible avec la fiche du compresseur. Lors de l'utilisation du compresseur à grande distance d'une prise secteur, veiller à utiliser un cordon prolongateur d'une capacité suffisante pour supporter l'appel de courant du compresseur. Un cordon de capacité insuffisante causerait une baisse de la tension de ligne, entraînant une perte de puissance et une surchauffe. Se reporter au tableau cidessous pour déterminer le calibre minimum de fil requis pour un cordon donné. Utiliser exclusivement des cordons à gaine cylindrique homologués par Underwriter's Laboratories (UL).

Tableau des rallonges	
Calibre de fil minimum	
Longueur de la rallonge	Moteur (1,0, 1,5, et 2,0 HP)
Jusqu'à 25 pi	Calibre 12
25 – 50 pi	Calibre 10
50 – 100 pi	Calibre 8

Pour les travaux à l'extérieur, utiliser un cordon prolongateur spécialement conçu à cet effet. La gaine des cordons de ce type porte l'inscription « WA ».

Avant d'utiliser un cordon prolongateur, vérifier que ses fils ne sont ni détachés ni exposés et que son isolation n'est ni coupée, ni usée.

⚠ AVERTISSEMENT :

Maintenir le cordon prolongateur à l'écart de la zone de travail. Lors du travail avec un cordon électrique, placer le cordon de manière à ce qu'il ne risque pas de se prendre dans les pièces de bois, outils et autres obstacles. Ne pas prendre cette précaution peut entraîner des blessures graves.

⚠ AVERTISSEMENT :

Vérifier l'état des cordons prolongateurs avant chaque utilisation. Remplacer immédiatement tout cordon endommagé. Ne jamais utiliser un compresseur dont le cordon d'alimentation est endommagé, car tout contact avec la partie endommagée pourrait causer un choc électrique et des blessures graves.

REMARQUE : Utiliser des flexibles plus longs au lieu de prolongateurs électriques. Le compresseur fonctionnera mieux et sera plus durable.

CONNEXION ÉLECTRIQUE

Ce compresseur est équipé d'un moteur électrique de précision. Il doit être branché uniquement sur une **alimentation 120 V, 60 Hz, c.a. (courant résidentiel standard)**. Ne pas utiliser ce compresseur sur une source de courant continu (c.c.). Une chute de tension importante causerait une perte de puissance et une surchauffe du moteur. Si le compresseur ne fonctionne pas une fois branché, vérifier l'alimentation électrique.

VITESSE ET CÂBLAGE

La vitesse à vide du moteur électrique varie en fonction du modèle et des spécifications. La vitesse du moteur n'est pas constante et diminue sous une charge ou lors d'une baisse de tension. Le câblage de l'atelier est aussi important que la puissance nominale du moteur. Une ligne conçue seulement pour l'éclairage ne peut pas alimenter correctement un moteur de compresseur. Un fil électrique d'une capacité suffisante pour une courte distance ne le sera pas nécessairement pour une distance plus longue. Une ligne dont la capacité est suffisante pour un compresseur ne l'est pas nécessairement pour deux ou trois.

INSTRUCTIONS DE MISE À LA TERRE

En cas de problème de fonctionnement ou de panne, la mise à la terre fournit un chemin de résistance au courant électrique, pour réduire le risque de choc électrique. Ce compresseur est équipé d'un cordon électrique avec conducteur et fiche de mise à la terre. Le cordon doit être branché sur une prise correctement installée et mise à la terre conformément à tous les codes et réglementations locaux en vigueur.

Ne pas modifier la fiche fournie. Si elle ne peut pas être insérée dans la prise secteur, faire installer une prise adéquate par un électricien qualifié.

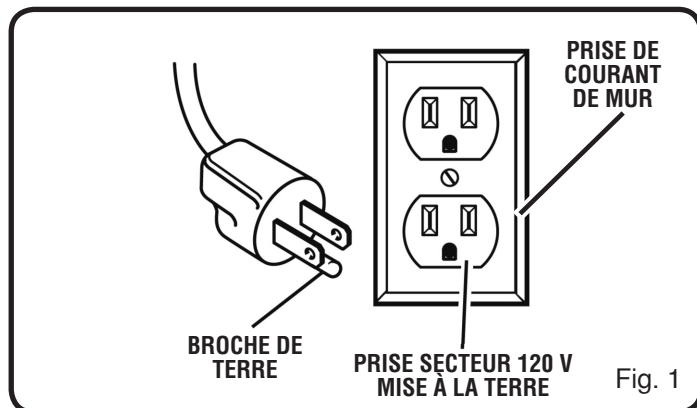
⚠ AVERTISSEMENT :

L'usage d'un cordon prolongateur incorrect peut présenter des risques de choc électrique.

Le fil à gaine verte, avec ou sans traceur jaune est le fil de terre. Si le cordon doit être réparé ou remplacé, ne pas connecter le fil de terre du compresseur sur une borne sous tension. Consulter un électricien qualifié ou le personnel de service si les instructions de mise à la terre ne sont pas bien comprises, ou en cas de doute au sujet de la mise à la terre. Tout cordon endommagé doit être réparé ou remplacé immédiatement.

Ce produit est pour l'usage sur un circuit nominal 120-V a un bouchon mis à terre semblable au bouchon illustré dans la figure 1. Reliez seulement le produit à un trou d'évacuation qui a la même représentation figurative comme le bouchon. N'utilisez pas d'adaptateur avec ce produit.

Ne jamais utiliser un adaptateur électrique avec la terre cette fiche.



GLOSSAIRE

Filtre à air

Élément poreux contenu dans un boîtier en métal ou plastique, monté sur la culasse du compresseur pour débarrasser l'air d'alimentation de toutes ses impuretés.

Réservoir d'air

Composant cylindrique contenant l'air comprimé.

Soupape antiretour

Dispositif empêchant l'air comprimé contenu dans le réservoir de retourner à la pompe.

Pression de déclenchement

Pression à laquelle le moteur se remet en marche.

Pression d'arrêt

Pression à laquelle le moteur s'arrête automatiquement.

Moteur électrique

Dispositif produisant la force rotative nécessaire pour actionner la pompe du compresseur.

Commutateur marche / arrêt

Commande permettant de mettre le compresseur en marche et de l'arrêter. Le manostat ne peut commander la mise en marche du moteur que si le commutateur est en position de **MARCHE (I)**.

NPT (National Pipe Thread)

Le National Pipe thread est un u.s. standard pour les fils en fuseau utilisés pour joindre le fil et les accessoires. Un ruban d'étanchéité de filetage doit être utilisé sur tous les raccords filetés, pour empêcher les fuites.

Bouton de régulation de pression

Permet de contrôler la pression d'alimentation de l'outil. La rotation du bouton dans un sens ou dans l'autre augmente ou réduit la pression d'air.

Manostat

Commande automatiquement la mise en marche et l'arrêt du moteur du compresseur. Il arrête le compresseur lorsque la pression maximum du réservoir est atteinte et le remet en marche une fois que la pression est parvenue au minimum.

PSI (Livres par pouce carré)

Mesure de la pression exercée par la force de l'air. La pression est indiquée par un manomètre monté sur le compresseur.

Pompe

Produit l'air comprimé au moyen d'un piston alternatif à l'intérieur du cylindre.

Manomètre de détendeur

Indique la pression de ligne. La pression de ligne se règle au moyen du bouton de commande du détendeur.

Soupape de sûreté

Empêche la pression d'air du réservoir de dépasser une limite prédéterminée.

SCFM (Pieds cubes standard minute)

Unité de mesure du débit d'air.

L/min (Litre par minute)

Unité de mesure du débit d'air.

Manomètre de réservoir

Indique la pression d'air à l'intérieur du réservoir.

Rupteur thermique

Arrête automatiquement le compresseur lorsque la température du moteur électrique dépasse une limite prédéterminée.

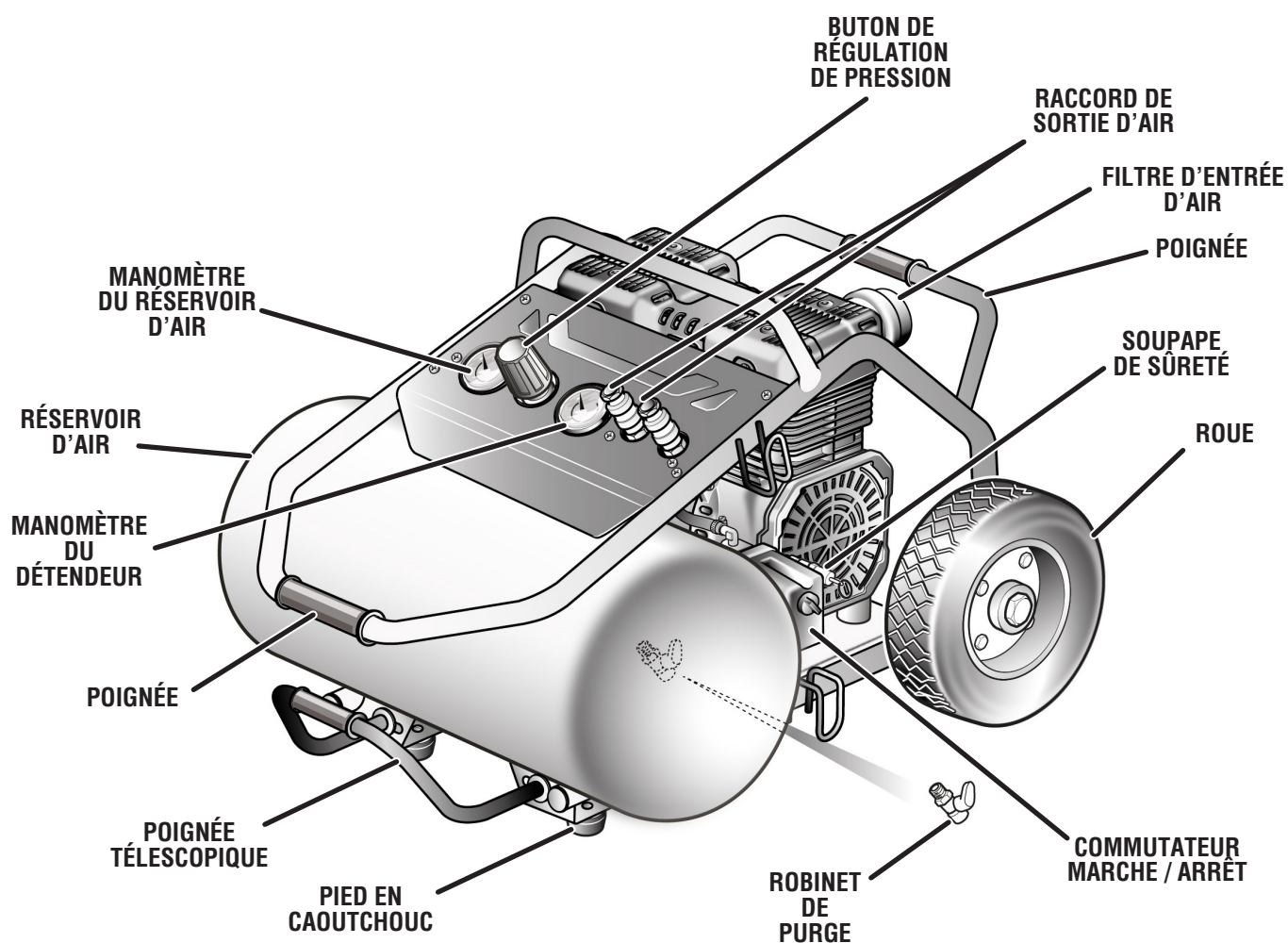
CARACTÉRISTIQUES (a continué)

FICHE TECHNIQUE

Puissance 1,575 kW
Contenance du réservoir d'air 20,8 L (5,5 gal.)
Pression d'air 1207 kPa (175 PSI max.)
Débit d'air 141,6 L/min (5 SCFM) à 620,5 kPa (90 PSI)
Rapport d'intermittence .. S3/50% - 5 minutes de fonctionnement
..... et 5 minutes d'arrêt

Temps de pompage (0-175 PSI)..... 1:50
Lubrification sans huile
Manomètres..... 5 cm (2,0 po) de diamètre
Alimentation..... 120 V, 60 Hz, c.a. seulement, 13,5 A
Poids net (compresseur seulement)..... 42,6 kg (94 lb)

Fig. 2



CARACTÉRISTIQUES

APPRENDRE À CONNAÎTRE LE COMPRESSEUR

Voir la figure 2.

Avant d'essayer d'utiliser ce produit, se familiariser avec toutes ses fonctions, tous ses dispositifs de sécurité et toutes les règles de sécurité d'utilisation.

MOTEUR UNIVERSEL SANS HUILE

Le compresseur est équipé de roulements lubrifiés en permanence.

COMMUTATEUR MARCHÉ/ ARRÊT

Ce commutateur est utilisé pour démarrer ou arrêter le compresseur d'air. En le passant sur la position de marche (ON), le manostat est alimenté et de façon automatique commande le démarrage du moteur quand la pression dans le réservoir d'air est en dessous du seuil de pression basse fixé en usine. Quand il est sur la sélection (ON), le manostat commande la coupure du moteur quand la pression dans le réservoir d'air est au dessus du seuil de pression haute fixé en usine. Le passage du manostat en position Off lui coupe son alimentation et arrête le compresseur d'air.

RUPTEUR THERMIQUE DU MOTEUR

Le moteur possède une protection contre le surchauffement. Si le moteur chauffe trop pour une quelconque raison, le rupteur thermique va couper son alimentation, ce qui empêchera qu'il soit endommagé. Attendez jusqu'à ce que le moteur soit refroidi.

FILTRE D'ENTRÉE D'AIR

Ce filtre est prévu pour nettoyer l'air qui arrive à la pompe. Pour assurer une arrivée d'air frais à la pompe continuellement propre et sec, ce filtre doit rester toujours propre et l'ouverture de ventilation libre de toute obstruction.

POMPE DU COMPRESSEUR D'AIR

Pour compresser l'air, le piston monte et descend dans le cylindre. Dans le mouvement de descente, l'air est aspiré par la soupape d'admission, tandis que la soupape d'échappement reste fermée. Dans le mouvement de remontée, l'air est comprimé, la soupape d'admission se ferme et l'air comprimé est chassé par la soupape d'échappement dans la conduite d'échappement, au travers du clapet anti-retour puis dans le réservoir d'air.

SOUPAPE DE SÛRETÉ

Cette soupape est conçue pour éviter des pannes de système en relâchant sa pression quand l'air comprimé atteint un niveau prédéterminé. La soupape est réglée à l'avance par le constructeur et ne doit être retouchée en aucune manière.

ROBINET DE PURGE DU RÉSERVOIR D'AIR

Ce robinet de purge est utilisé pour évacuer l'humidité du réservoir d'air.

MANOMÈTRE DU RÉSERVOIR D'AIR

Le manomètre de réservoir indique la pression d'air à l'intérieur du réservoir.

MANOMÈTRE DU DÉTENDEUR

Le manomètre de détendeur indique la pression de ligne. La pression de ligne se règle au moyen du bouton de commande du détendeur.

BOUTON DE RÉGULATION DE PRESSION

Ce bouton permet de régler le débit d'air fourni au flexible. L'air sous pression venant du réservoir d'air est contrôlé par le bouton du régulateur. En tournant ce bouton dans le sens du vissage on augmente la pression de sortie, et en sens contraire on la diminue.

ASSEMBLAGE (a continué)

DÉBALLAGE

Ce produit a été expédié complètement assemblé.

- Avec précaution, sortir le compresseur de la boîte. S'assurer que toutes les pièces figurant sur la liste de contrôle sont incluses.
- Examiner soigneusement le compresseur pour s'assurer que rien n'a été brisé ou endommagé en cours de transport.
- Ne pas jeter les matériaux d'emballage avant d'avoir soigneusement examiné le compresseur et avoir vérifié qu'il fonctionne correctement.
- Si des pièces sont manquantes ou endommagées, appeler le vendeur pour assistance.

LISTE DE CONTRÔLE

Compresseur d'air (1)
Manuel d'utilisation (1)



AVERTISSEMENT :

Si des pièces manquent, ne pas utiliser ce compresseur avant qu'elles aient été installées. Ne pas prendre cette précaution pourrait entraîner des blessures graves.



AVERTISSEMENT :

Ne pas essayer de modifier ce compresseur ou de créer des accessoires non recommandés pour ce compresseur. De telles altérations ou modifications sont considérées comme un usage abusif et peuvent créer des conditions dangereuses, risquant d'entraîner des blessures graves.



ATTENTION:

NE soulevez PAS l'unité par la poignée télescopique.

ASSEMBLAGE

ASSEMBLAGE DU FLEXIBLE EN CAOUTCHOUC

- Raccorder le tuyau en caoutchouc au raccord de la sortie d'air (Fig. 3).



AVERTISSEMENT:

Ne pas installer un outil sur le raccord de sortie d'air avant que la mise en route soit achevée.

- Saisir fermement l'extrémité du tuyau d'air en la pointant à l'écart de soi et des personnes présentes.

PRÉCHAUFFAGE DU COMPRESSEUR

Voir les figures 3 et 5.

- Vérifier que tous les boulons, raccords, etc. sont bien serrés.
- Tourner le bouton de régulation de pression à fond vers la droite pour ouvrir l'air.
- Mettre le commutateur en position **D'ARRÊT (O)** et débrancher le cordon d'alimentation.
- Ouvrir complètement le robinet de purge.
- Mettre le commutateur en position de **MARCHE (I)** et faites-le fonctionner pendant 30 à 40 secondes avec le robinet de vidange ouvert
- Mettre le commutateur en position **D'ARRÊT (O)**.
- Fermer le robinet de purge.
- Répétez cette procédure de démarrage à froid avant chaque utilisation.

DISPOSITIF DE PROTECTION CONTRE LA SURCHARGE

Ce compresseur d'air est équipé de dispositif de protection thermique contre la surcharge éteignant automatiquement le compresseur d'air lorsque l'appareil est surchauffé. Si le moteur s'éteint de manière répétitive, contrôler d'abord les causes possibles suivantes : Basse tension sur la sortie. Manque de ventilation ou air extérieur ou température ambiante trop élevée. Rallonge trop longue ou mauvais fil de calibre utilisé.

Pour réinitialiser le compresseur d'air :

- Éteindre le compresseur d'air.
- Débrancher le compresseur d'air et le laisser refroidir 30 minutes.
- Brancher le compresseur d'air dans une sortie approuvée.
- Allumer le compresseur d'air.

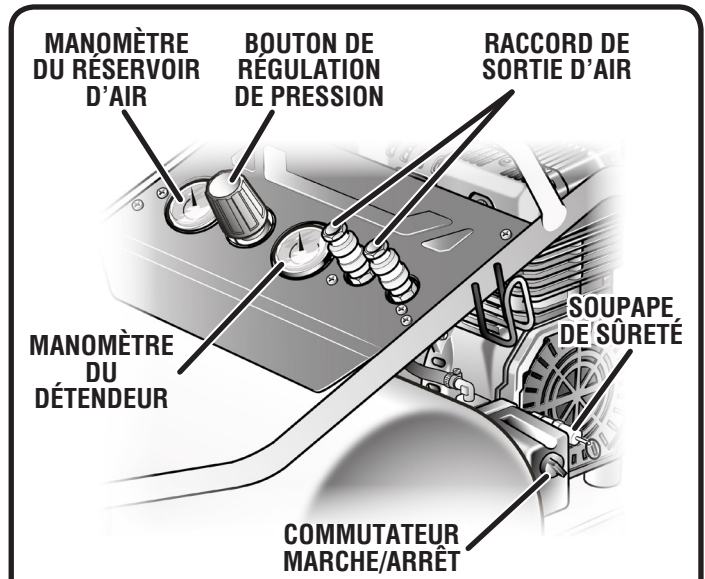


Fig. 3

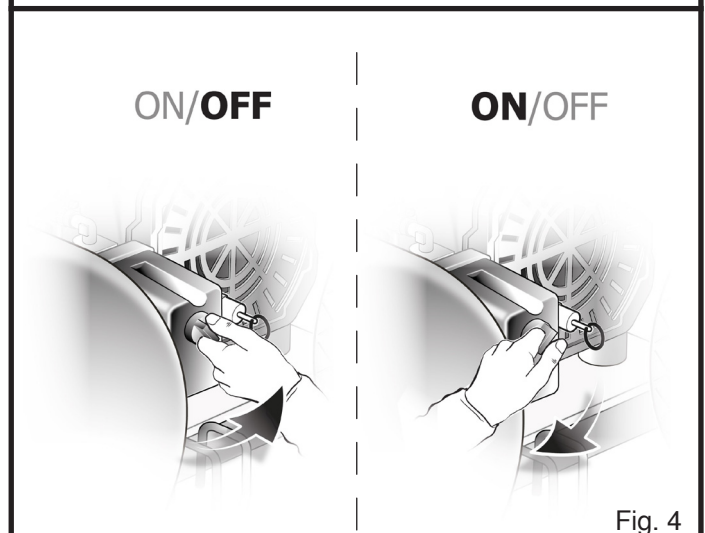


Fig. 4

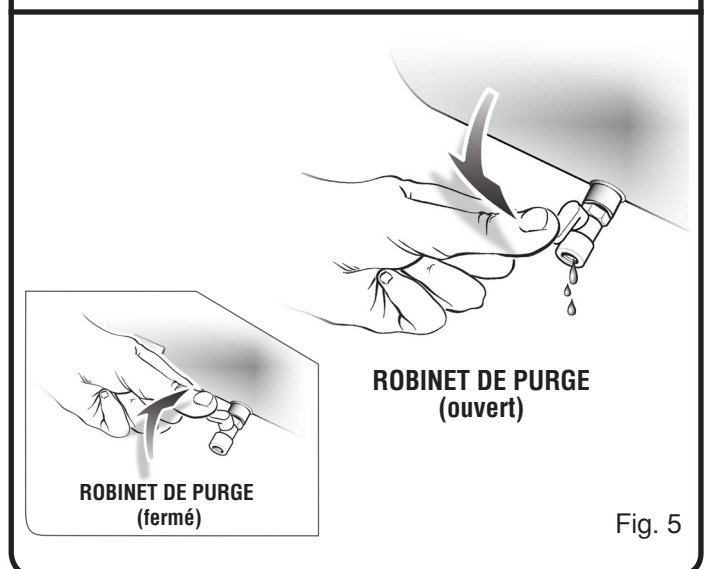


Fig. 5

TRANSPORT

TRANSPORT

Voir les figures 6 - 8.

- Tirez la poignée télescopique jusqu'à ce qu'elle se verrouille en place (Voir la figure 6).

ATTENTION :

Cette poignée sert uniquement à tirer l'appareil (Voir la figure 7).

NE soulevez PAS l'appareil par cette poignée.

- Pour ranger la poignée, appliquez une pression pendant les premiers centimètres pour déverrouiller, puis faites glisser la poignée à fond jusqu'à ce qu'elle s'arrête (Voir la figure 6).

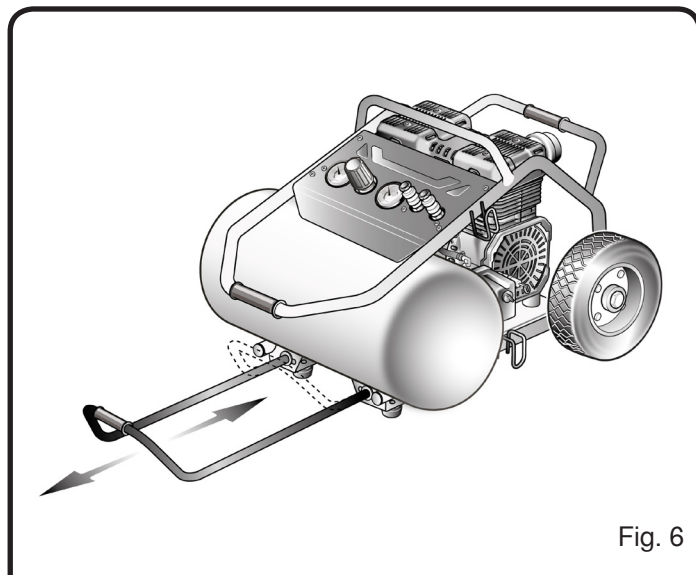


Fig. 6

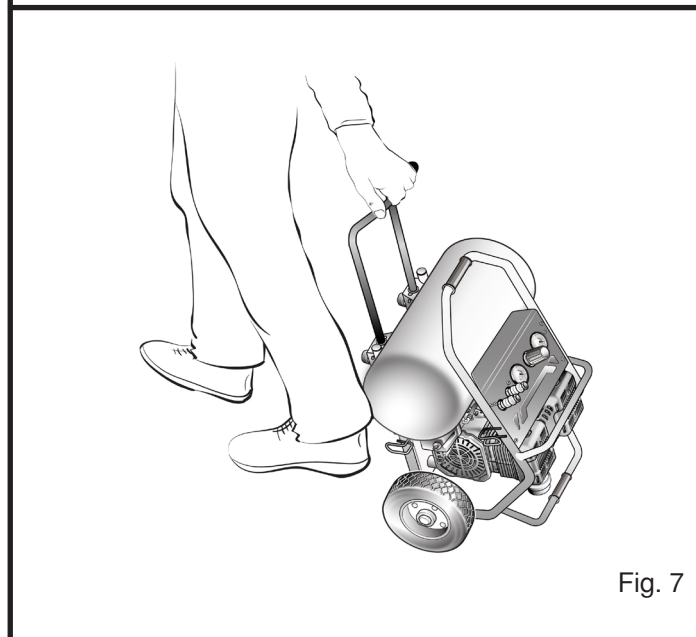


Fig. 7

AVERTISSEMENT :

Soulever à deux personnes. N'essayez pas de soulever le compresseur par vous-même.

Vous avez besoin de l'aide d'une autre personne pour soulever le compresseur (Voir la figure 8).

Le compresseur est soulevé en saisissant les poignées A et B (Voir la figure 8).

- Lors du transport du compresseur, ne pas faire tomber l'appareil et ne laisser pas l'appareil tomber à partir d'une position verticale.

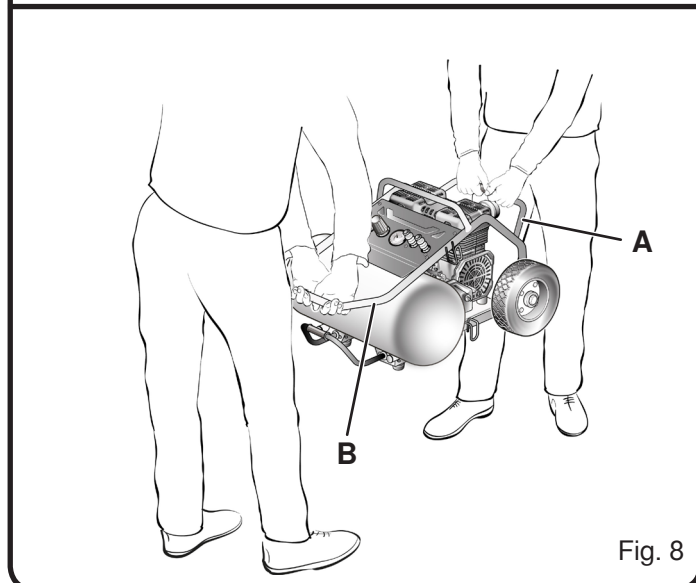


Fig. 8

UTILISATION (a continué)

APPLICATIONS

Les compresseurs d'air sont utilisés dans différentes applications du système d'air. Les capacités nominales des flexibles, outils pneumatiques et accessoires doivent correspondre à celle du compresseur d'air.

Ce compresseur peut être utilisé pour les applications ci-dessous:

- Utilisation de outils alimentés à air comprimé nécessitant moins de 5 SCFM @ 90 PSI.
- Mise sous tension de pistolets cloueurs pneumatiques, d'appareils pour le gonflage des pneus, de nettoyage / soufflage d'air sous pression.

UTILISATION DU COMPRESSEUR

Voir les figures 9 - 10.

- S'assurer que le robinet de purge soit fermé (Fig. 9).
- S'assurer que le commutateur est en position **D'ARRÊT (O)** et que le compresseur d'air soit débranché (voir la Figure 9).
- Tourner entièrement le bouton vers la gauche pour fermer le débit d'air (voir la Figure 9).
- S'il ne l'est pas, brancher le flexible sur le compresseur d'air.
- Brancher l'outil pneumatique sur l'autre extrémité du flexible en caoutchouc: pousser à fond le raccord rapide de l'accessoire à l'intérieur du flexible en caoutchouc (voir la Figure 10).
- Brancher le cordon d'alimentation à l'alimentation.
- Mettre le commutateur en position de **MARCHE (I)**.
- Tourner le bouton de régulation de pression à la pression souhaitée dans la conduite. Tourner le bouton vers la droite pour augmenter la pression d'air sur la sortie; Tourner vers la gauche pour réduire la pression d'air sur la sortie.
- **REMARQUE** : Pendant l'opération de montage d'un outil, la sortie du débit d'air doit être impérativement coupée.
- L'outil pneumatique peut maintenant être utilisé en respectant toutes les instructions de ce manuel et du manuel de l'outil.
- Lors de l'utilisation d'un accessoire de gonflage, contrôler le débit d'air au moyen du bouton du détendeur. Lorsque le bouton est tourné à fond vers la gauche, le débit d'air est coupé.
- **REMARQUE** : Toujours utiliser la pression minimum nécessaire pour l'application. Ne pas utiliser une pression plus élevée. Consulter le manuel de l'outil, pour éviter des dommages et pour éviter des causer des lésions graves.
- Une fois le travail terminé, toujours purger le réservoir et débrancher le compresseur. Ne jamais laisser la machine branchée et/ou en marche sans surveillance.

AVERTISSEMENT :

La consommation d'air de l'outil peut être supérieure à la capacité de ce compresseur. Consulter le manuel de l'outil, pour éviter des dommages ou des blessures.

AVERTISSEMENT :

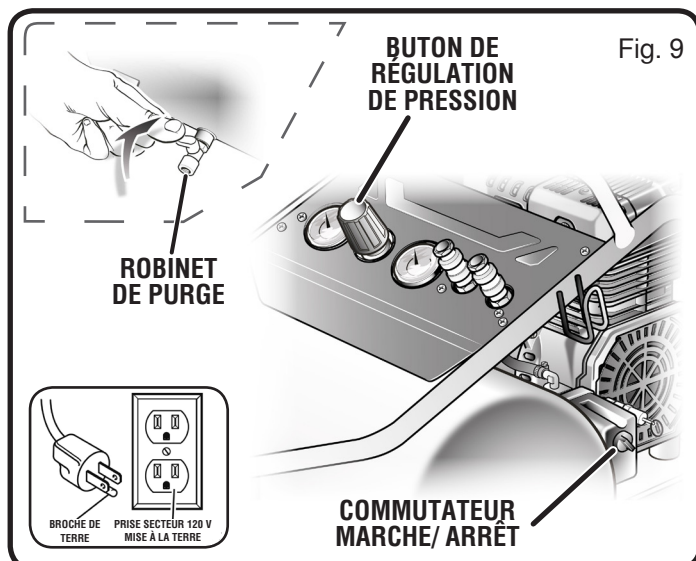
Ne pas laisser la familiarité avec le compresseur et l'outils faire oublier la prudence. Ne pas oublier qu'une fraction de seconde d'inattention peut entraîner des blessures graves.

AVERTISSEMENT :

Toujours porter des lunettes de sécurité étanches ou munies de coques latérales lors de l'utilisation du compresseur. Si cette précaution n'est pas prise, des objets peuvent être projetés dans les yeux et causer des lésions graves.

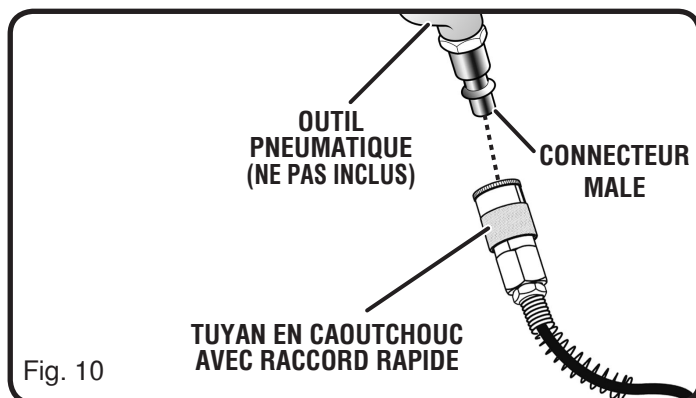
ATTENTION :

Ne pas utiliser dans des endroits poussiéreux ou autrement contaminés. Le compresseur peut être endommagé s'il est utilisé dans de tels environnements.



AVERTISSEMENT :

S'assurer que le commutateur est en position **D'ARRÊT (O)** et que le manomètre du détendeur indique zéro avant de changer d'outil ou de rébrancher le flexible de la sortie d'air. Ne pas prendre cette précaution peut entraîner des blessures graves.



UTILISATION

PURGE DU RÉSERVOIR

Voir la figure 11.

Pour éviter la corrosion de l'intérieur du réservoir et la présence d'humidité dans l'air utilisé, le réservoir du compresseur doit être purgé quotidiennement.

Utilisation correcte du robinet de purge :

- Vérifier que le compresseur soit éteint.
 - Tout en maintenant la poignée, incliner le compresseur vers le robinet de purge de manière à le placer dans une position inférieure.
 - Ouvrir le robinet de purge en tournant d'un quart de tour dans le sens anti-horaire.
 - Tenir le compresseur incliné jusqu'à l'élimination totale de l'humidité.
 - Purger l'humidité du réservoir dans un conteneur approprié.
- REMARQUE :** La condensation est un matériel polluant et doit être éliminé conformément aux règlements locaux.
- Si le robinet de purge est bouché, relâcher toute la pression d'air en tirant sur la soupape de sûreté. Retirer et nettoyer le robinet avant de le réinstaller.

⚠ AVERTISSEMENT :

Débrancher le compresseur et relâcher complètement la pression avant de procéder à tout entretien. Ne pas relâcher la pression du réservoir avant d'essayer de retirer le robinet de purge peut entraîner des blessures graves.

- Fermer le robinet de purge en le tournant d'un quart de tour dans le sens horaire.

VÉRIFICATION DE LA SOUPAPE DE SÛRETÉ

Voir la figure 12.

⚠ AVERTISSEMENT :

Ne pas essayer de modifier la soupape de sûreté. Toute pièce desserrée de cette soupape risquerait d'être projetée et de blesser quelqu'un. Le non-respect de cet avertissement pourrait entraîner des blessures graves ou mortelles.

La soupape de sûreté est conçue pour relâcher automatiquement la pression si elle dépasse le maximum prédéterminé. La soupape doit être nettoyée avant chaque journée d'utilisation en tirant sur son anneau.

- Mettre le compresseur en marche et laisser le réservoir se remplir. Le moteur du compresseur s'arrête une fois que la pression est parvenue au maximum prédéterminé.
- Arrêter le compresseur.
- Tirer sur l'anneau de la soupape de sûreté pour laisser l'air s'échapper pendant trois à cinq secondes.
- Relâcher l'anneau. L'air doit cesser de s'échapper dès que l'anneau est relâché. Tout échappement d'air après que l'anneau a été relâché indique un problème de soupape de sûreté. Cesser d'utiliser le compresseur et le faire réparer avant de le remettre en service.

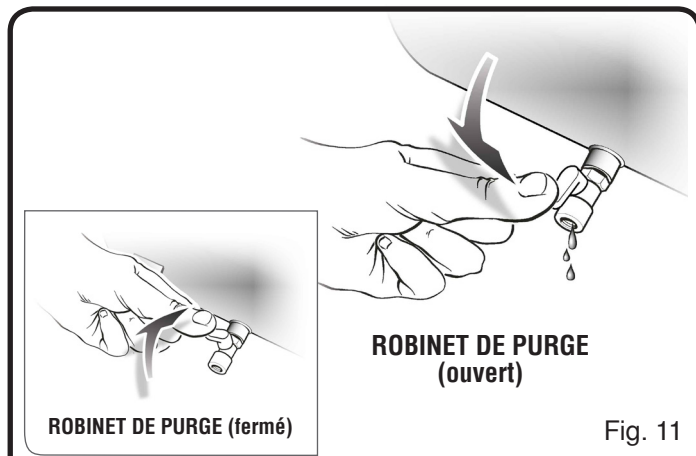


Fig. 11

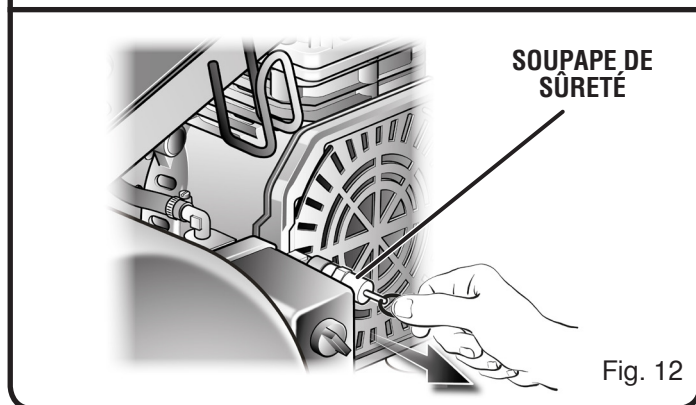


Fig. 12

⚠ AVERTISSEMENT :

Si de l'air s'échappe une fois que l'anneau a été relâché ou si la soupape est bloquée et ne peut pas être actionnée par l'anneau, ne plus utiliser le compresseur jusqu'à ce que la soupape ait été remplacée. L'utilisation du compresseur avec une soupape de sûreté défectueuse peut entraîner des blessures graves.

FIN DES OPÉRATION/STOCKAGE

- Placer l'interrupteur marche/arrêt en position **ARRÊT (O)**.
- Débrancher le câble d'alimentation de la prise murale et l'envelopper pour empêcher de l'endommager lorsqu'il n'est pas utilisé.
- Porter des lunettes de sécurité et purger le réservoir d'air en tirant la bague sur la soupape de sûreté. De l'autre main, dévier l'air pour éviter qu'il ne soit projeté en direction du visage.
- Purger le réservoir de la condensation en ouvrant le robinet de purge au bas du réservoir. La pression du réservoir doit être inférieure à 10 psi lors de la purge.
- Débrancher le tuyau d'air du compresseur et disposer les extrémités vers le bas pour permettre le drainage de l'humidité.
- Stocker le compresseur et le tuyau en lieu frais et sec.

⚠ AVERTISSEMENT :

Vidangez toujours le réservoir avant de stocker le compresseur en position verticale.

ENTRETIEN

AVERTISSEMENT :

Utiliser exclusivement des pièces identiques à celles d'origine pour les réparations. L'usage de toute autre pièce pourrait créer une situation dangereuse ou endommager le compresseur.

AVERTISSEMENT :

Toujours porter des lunettes de sécurité étanches ou munies d'écrans latéraux lors de l'utilisation du compresseur ou des opérations de nettoyage à l'air comprimé. Si une opération dégage de la poussière, porter également un masque filtrant.

AVERTISSEMENT :

Toujours relâcher complètement la pression, débrancher le compresseur et le laisser refroidir avant de le nettoyer ou d'effectuer des entretiens ou réparations.

Éviter d'utiliser des solvants pour le nettoyage des pièces en plastique. La plupart des matières plastiques peuvent être endommagées par divers types de solvants du commerce. Utiliser un chiffon propre pour éliminer la saleté, la poussière, l'huile, la graisse, etc.

AVERTISSEMENT :

Ne jamais laisser de liquides tels que le fluide de freins, l'essence, les produits à base de pétrole, les huiles pénétrantes, etc., entrer en contact avec les pièces en plastique. Les produits chimiques peuvent endommager, affaiblir ou détruire le plastique, ce qui peut entraîner des blessures graves.

LUBRIFICATION

Tous les roulements de ce compresseur sont enduits d'une quantité suffisante de lubrifiant de haute qualité pour la durée de vie de l'outil, dans des conditions d'utilisation normales. Aucune autre lubrification n'est donc nécessaire.

ENTRETIEN GÉNÉRAL

L'humidité de l'air peut causer la condensation à l'intérieur du réservoir. Cette condensation doit être éliminée chaque jour et/ou toutes les heures, conformément aux instructions de **Purge du réservoir**.

La soupape de sûreté est conçue pour relâcher automatiquement la pression si elle dépasse le maximum prédéterminé. Vérifier la soupape de sûreté avant chaque utilisation suivant les instructions du paragraphe **Vérification de la soupape de sûreté**.

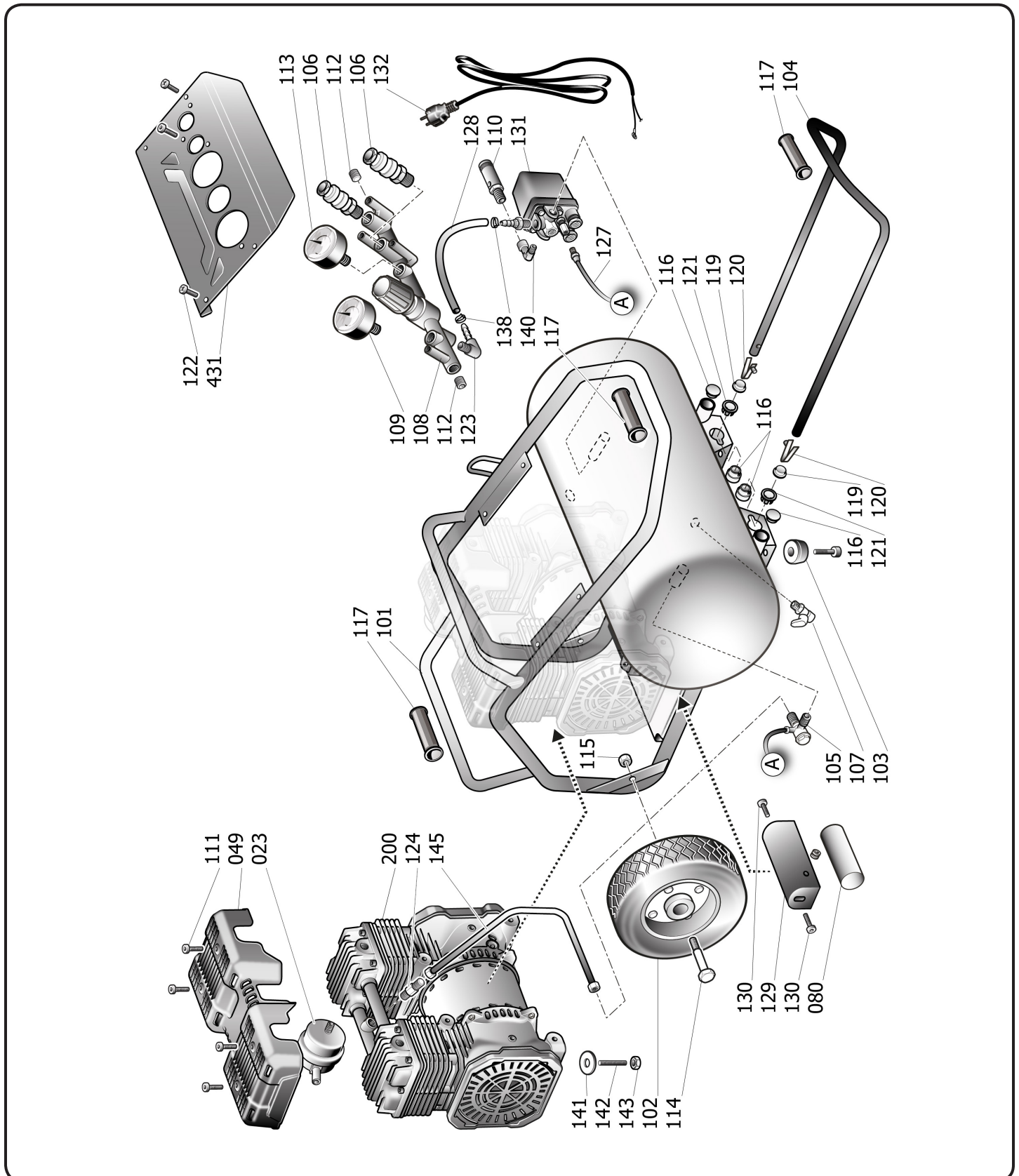
S'assurer que le réservoir n'est pas rouillé ou piqué et ne présente aucun défaut risquant de le rendre dangereux.

DÉPANNAGE

Problème	Cause	Solution
Le moteur du compresseur ne tourne pas	<p>Perte d'alimentation ou surchauffe</p> <p>Pas d'alimentation électrique</p> <p>Fusible du circuit d'alimentation grillé</p> <p>Disjoncteur du circuit d'alimentation déclenché</p> <p>Rupteur thermique ouvert</p> <p>Manostat défectueux</p> <p>Le réservoir est rempli d'air</p>	<p>S'assurer que le cordon prolongateur est de type correct</p> <p>Vérifier que la machine est branchée</p> <p>Examiner les fusibles / disjoncteurs et s'assurer que le moteur n'est pas surchargé</p> <p>Remplacer le fusible grillé</p> <p>Réarmer le disjoncteur et déterminer la cause du problème</p> <p>Débranchez d'abord le compresseur et attendez que le moteur refroidisse. Localisez et appuyez sur la réinitialisation du moteur</p> <p>Remplacer le manostat</p> <p>Le compresseur se met en marche lorsque la pression atteint le minimum</p>
Le moteur ronfle mais ne tourne pas ou tourne lentement	<p>Tension insuffisante</p> <p>Calibre ou longueur de prolongateur incorrect</p> <p>Enroulement de moteur ouvert ou court-circuité</p> <p>Soupape antiretour ou de décharge défectueuse</p>	<p>Vérifier la tension à l'aide d'un voltmètre</p> <p>Vérifier le calibre et la longueur du prolongateur</p> <p>Contactez le service client ROLAIR (800) 310-3573</p> <p>Contactez le service client ROLAIR (800) 310-3573</p>
Le fusible grille ou le disjoncteur se déclenche constamment	<p>Fusible de capacité insuffisante, surcharge du circuit</p> <p>Calibre ou longueur de prolongateur incorrect</p> <p>Soupape antiretour ou de décharge défectueuse</p>	<p>S'assurer que la capacité du fusible est suffisante, utiliser un fusible temporisé, débrancher les autres appareils électriques du circuit ou brancher le compresseur sur un circuit séparé.</p> <p>Vérifier le calibre et la longueur du prolongateur</p> <p>Confier le compresseur à un centre de réparations</p>
Le rupteur thermique se déclenche constamment	<p>Tension insuffisante</p> <p>Ventilation insuffisante / température du local trop élevée</p> <p>Calibre ou longueur de prolongateur incorrect</p>	<p>Vérifier la tension à l'aide d'un voltmètre</p> <p>Emmener le compresseur à un endroit bien aéré</p> <p>Vérifier le calibre et la longueur du prolongateur</p>
La pression du réservoir baisse lorsque le moteur du compresseur s'arrête	<p>Branchements desserrés (raccords, flexible, etc.)</p> <p>Robinet de purge desserré</p> <p>Fuite à la soupape antiretour</p>	<p>Vérifier tous les branchements avec de l'eau savonneuse et les serrer selon le besoin</p> <p>Serrer le robinet de purge</p> <p>Contactez le service client ROLAIR pour obtenir de l'aide.</p> <p>⚠ DANGER : Ne pas retirer la soupape antiretour lorsque le réservoir contient de l'air - purger le réservoir.</p>
Air de sortie trop humide	<p>Excédent d'eau dans le réservoir</p> <p>Humidité excessive</p>	<p>Purger le réservoir</p> <p>Emmener le compresseur à un endroit moins humide, utiliser un filtre à air en ligne.</p>
Fuite d'air	<p>Branchement du tuyau desserré ou non hermétique.</p> <p>Tuyau d'air cassé ou endommagé.</p>	<p>S'assurer que les branchements soient hermétiques au moyen de ruban d'étanchéité pour filetage et serrés.</p> <p>Remplacer le tuyau d'air.</p>
Le compresseur reste en service	<p>Robinet de purge du réservoir ou valve de gonflage ouverte.</p> <p>Manostat défectueux</p> <p>Consommation d'air excessive</p>	<p>S'assurer que le robinet de purge du réservoir et la valve de gonflage soient fermés.</p> <p>Contactez le service client ROLAIR pour obtenir de l'aide.</p> <p>Réduire la consommation d'air. Le compresseur n'est pas assez puissant pour l'outil utilisé</p>
Le compresseur vibre	<p>Boulons de montage desserrés</p>	<p>Serrer les boulons de montage</p>
Débit d'air inférieur à la normale	<p>Soupapes d'entrée brisées</p> <p>Fuites aux raccords</p>	<p>Contactez le service client ROLAIR pour obtenir de l'aide.</p> <p>Serrer les raccords</p>

LISTE DES PIÈCES DE RECHANGE (a continué)

DIAGRAMME DES PIÈCES - AIR COMPRESSOR



LISTE DES PIÈCES DE RECHANGE (a continué)

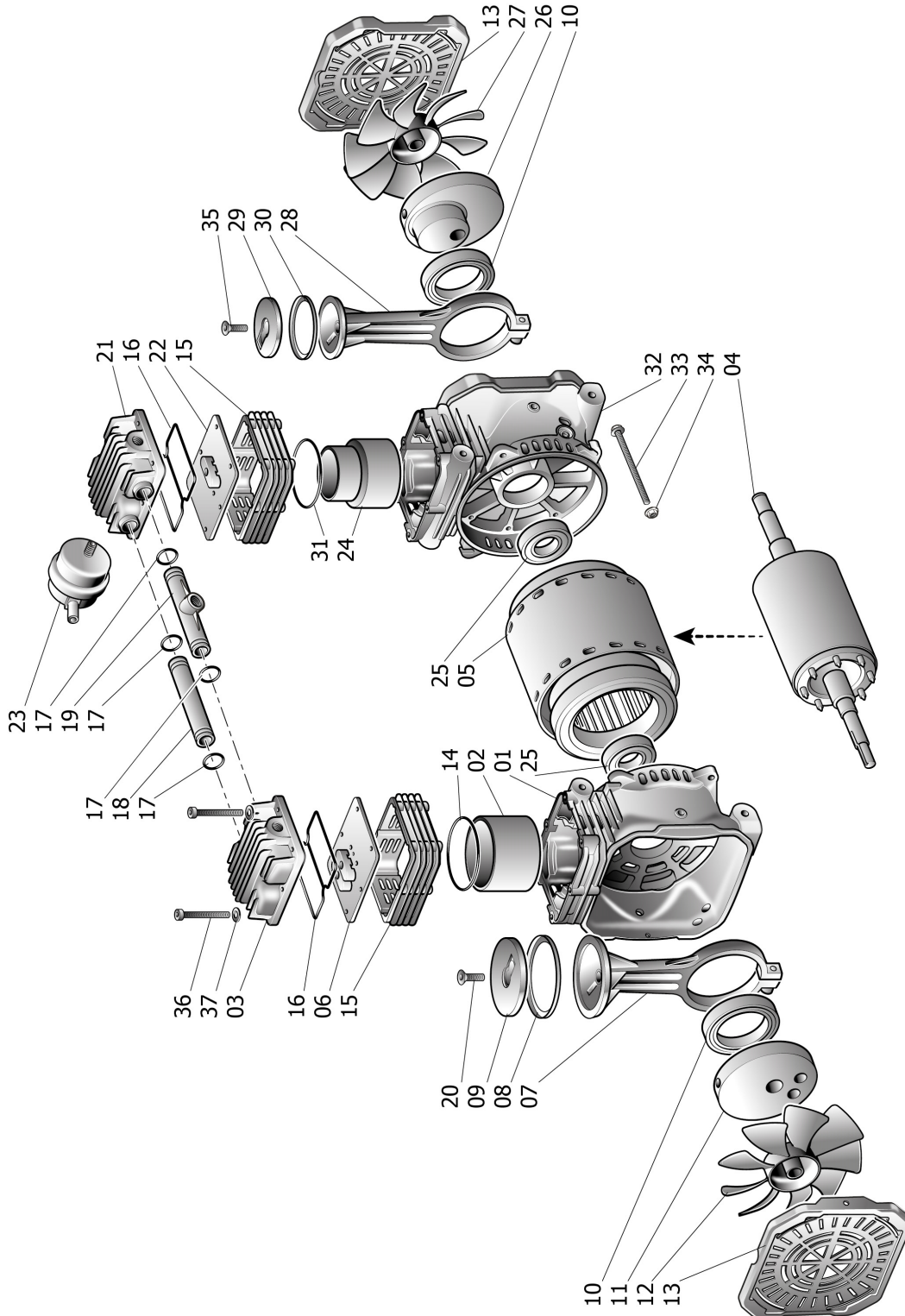
LISTE DES PIÈCES - COMPRESSEUR D'AIR PORTABLE - MODÈLE FCOL22LS6

Le numéro de modèle se trouve sur une plaquette fixée sur le réservoir. Ne jamais oublier de mentionner le numéro de modèle dans toute correspondance concernant le **COMPRESSEUR D'AIR PORTABLE** ou lors de la commande de pièces détachées.

N° de schéma #	Pièce #	Description	Qté
023	FCB280100	FILTRE À AIR	1
049	FC9069385	COUVERCLE DE TÊTE EN PLASTIQUE	1
080	FC9067059	CONDENSATEUR	1
101	FC9413843215	RÉSERVOIR D'AIR AVEC CADRE ET POIGNÉE	1
102	FC9415668	ROUE	2
103	FCB_SST108	PIED EN CAOUTCHOUC	2
104	FC9083743021	POIGNÉE	1
105	FC9048147	SOUPAPE D'ARRÊT	1
106	FC9047061	RACCORD RAPIDE	2
107	FC9047091	ROBINET À BOISSEAU SPHÉRIQUE DE VIDANGE DU RÉSERVOIR ..	1
108	FC9050798	COLLECTEUR DE RÉGULATEUR	1
109	FC9052282	MANOMETRE 2"	1
110	FCB_N022549	SOUPAPE DE SÛRETÉ	1
111	FC9104024	VIS M5 x 1.25 x 16 mm	4
112	FC9054020	CAPUCHON	2
113	FC9052270	MANOMETRE 2"	1
114	FC9011084	BOULON D'ESSIEU	2
115	FC9122362	ÉCROU M10	2
116	FC9038352	BOUCHON DE POIGNÉE	2
117	FC9038599	POIGNÉE EN CAOUTCHOUC	3
119	FCB_A16379	INSERT DE POIGNÉE	2
120	FC9083428	BOUTON PRESSION POUR POIGNÉE	2
121	FC9069380	INSERTION D'ARRÊT	2
122	FC9104139	VIS M6 x 1.25 x 12 mm	4
123	FC127QC0181	RACCORD CANNELÉ	1
124	FC9050797	RACCORD DROIT	1
127	FC9270046	TUYAU MÉTRIQUE EN NYLON	0,2 m
128	FC9270051	TUYAU	0,25 m
129	FCN012530	COUVERCLE DE CONDENSATEUR	1
130	FCB_D28104	VIS 1/4" x 1/2"	2
131	FC9063317	PRESSOSTAT	1
132	FC4100188	CORDON D'ALIMENTATION ET FICHE	1
138	FCB_A20009	COLLIER DE SERRAGE	2
140	FC9050702	COUDE 1/4"	1
141	FC9004008	RONDELLE 8,5 x 30 x 5.....	4
142	FC9101777	GOUJON M8 x 16	4
143	FC9122463	ÉCROU DE BLOCAGE M8	4
145	FC9043908	TUYAU DE DÉCHARGE	1
200	FCB2A0061	ENSEMBLE COMPLET MOTEUR/POMPE	1
431	FC9083747021	TABLEAU DE COMMANDE	1

LISTE DES PIÈCES DE RECHANGE (a continué)

DIAGRAMME DES PIÈCES - TÊTE COMPRESSEUR

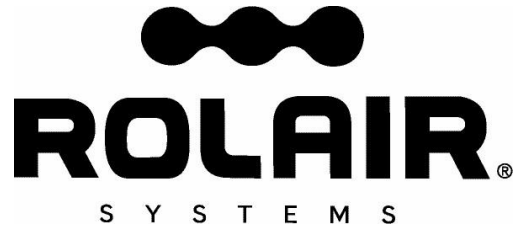


LISTE DES PIÈCES DE RECHANGE

LISTE DES PIÈCES POUR LA POMPE À DEUX ÉTAGES

Toujours mentionner le numéro du modèle lors de la commande des pièces de rechange.

N° de schéma #	Pièce #	Description	Qté
01	FCB260504	CARTER MOTEUR (Basse pression)	1
02	FCB230100	BARILLET DE CYLINDRE (Basse pression)	1
03	FCB260102	TÊTE (Basse pression)	1
04	FC9067766	ROTOR/ARBRE	1
05	FC9067765	STATOR	1
06	FC9417998	ENSEMBLE DE PLAQUE DE SOUPAPE (Basse pression)	1
07	FCB210101	BIELLE (Basse pression)	1
08	FC9040054	SEGMENT DE PISTON (Basse pression)	1
09	FCB260301	CHAPEAU DE BIELLE (Basse pression)	1
10	FC9170138	ROULEMENT 61909.....	2
11	FCB260403	CONTREPOIDS (Basse pression)	1
12	FC9069360	VENTILATEUR Q2 2ST (GAUCHE)	1
13	FC9069362	PROTECTEUR DE VENTILATEUR	2
14	FC9417873	JOINT PLAQUE DE SOUPAPE (Basse pression)	1
15	FCB260200	CYLINDRE D'ESPACEMENT	2
16	FCB250100	JOINT DE CULASSE	2
17	FC9417871	JOINT TORIQUE 3056	8
18	FC9050765	TUYAU DE RACCORDEMENT DE TÊTE	1
19	FC9050766	TUYAU DE RACCORDEMENT DE TÊTE « T »	1
20	FC9103287	VIS TSEI M8 x 25	1
21	FCB260103	TÊTE (Haute pression)	1
22	FC9417999	ENSEMBLE DE PLAQUE DE SOUPAPE (Haute pression)	1
23	FCB280100	FILTRE À AIR	1
24	FC9418048	KIT BARILLET DE CYLINDRE/SIÈGE (Haute pression)	1
25	FC9170144	ROULEMENT 6204.....	2
26	FCB260400	CONTREPOIDS (Haute pression)	1
27	FC9069361	VENTILATEUR (DROIT)	1
28	FCB210100	BIELLE (Haute pression)	1
29	FCB260300	CHAPEAU DE BIELLE (Haute pression)	1
30	FC9040053	SEGMENT DE PISTON (Haute pression)	1
31	FC9417872	JOINT PLAQUE DE SOUPAPE (Haute pression)	1
32	FCB260500	CARTER MOTEUR (Haute pression)	1
33	FC9101601	VIS TCEI M5 x 135	4
34	FC9416606	FLANGE NUT M5.8	4
35	FC9103284	VIS TSEI M6 x 20	1
36	FC#014011043	VIS TCEI M6 x 70	12
37	FC#014008008	RONDELLE ÉLASTIQUE D6.1 x 1.6	12



Garantie

Associate Engineering Corporation garantit que tous les compresseurs seront exempts de quelque défaut de matériau et de fabrication que ce soit, pour une période de douze mois à compter de la date d'achat du produit d'origine ou dix-huit mois à compter de la date de fabrication, selon la date la plus proche.

Advenant quelque manquement à se conformer à la présente garantie, signalé à la Société à l'intérieur de ladite période, la Société, sur l'expédition par l'acheteur du compresseur à notre usine, frais de transport prépayés, corrigera la non-conformité par une réparation appropriée ou, à sa discrétion, fournira une pièce de remplacement FAB de notre usine.

Associate Engineering Corporation ne sera pas tenu responsable des réparations, des remplacements, des ajustements non autorisés effectués sur les compresseurs ou des coûts de main-d'œuvre assumés par l'acheteur.

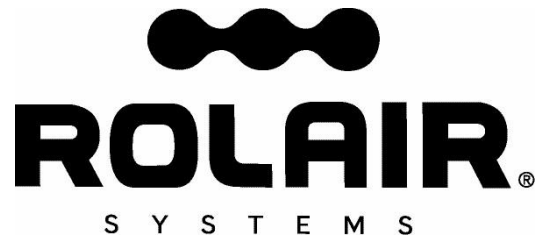
La présente garantie remplace expressément quelque autre garantie explicite, implicite ou statutaire (y compris, mais sans s'y limiter, les garanties de qualité marchande et d'adéquation à l'usage prévu) et quelque autre obligation et/ou responsabilité de la part de Associate Engineering Corporation. Associate Engineering Corporation n'assume aucune responsabilité ni n'autorise aucune autre personne à assumer pour elle quelque autre obligation ou responsabilité en relation avec ou à l'égard de quelque compresseur.

Associate Engineering Corporation ne sera en aucun cas tenu responsable de quelque dommage indirect, accessoire ou particulier, ni de la sélection inappropriée de quelque compresseur pour une application particulière.

Qualité

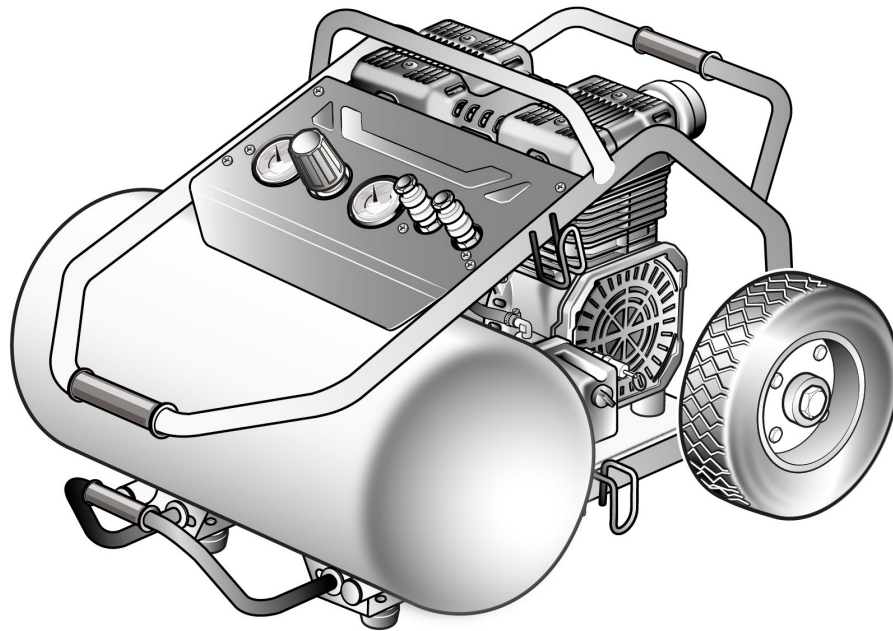
Associate Engineering Corporation est dédiée au contrôle continu de la qualité, grâce à une recherche approfondie sur les produits que nous fabriquons. Le but recherché est de mettre à la disposition de l'utilisateur toute l'expérience et l'expertise en ingénierie dont nous disposons pour chaque pièce d'équipement que nous produisons.

Notre gamme de produits satisfait aux besoins variés du monde d'aujourd'hui en matière d'appareils à air comprimé. Vous pouvez compter sur ROLAIR pour toutes les fonctionnalités les plus récentes et perfectionnées disponibles dans le domaine des compresseurs modernes.



COMPRESOR DE AIRE SILENCIOSO CON RUEDAS DE DOS ETAPAS DE 5,5 GALONES

INSTRUCCIONES DE OPERACIÓN Y MONTAJE



606 South Lake Street > P.O. Box 346 > Hustisford, WI 53034-0346 > 920.349.3281 > fax 920.349.3691 > www.rolair.com



IMPORTANTE



NO DEVOLVER A LA TIENDA

Esta unidad ha sido comprobada e inspeccionada completamente antes de ser enviada y funcionará correctamente siempre y cuando se sigan las instrucciones. Haga referencia al manual de usuario para la localización y la resolución de los problemas básicos. **Para evitar devoluciones innecesarias a la tienda, llame simplemente al número gratuito de Soporte técnico del Compresor para una asistencia adicional.**



**PO Box 346, Hustisford, WI 53034,
1-800-310-3573**

Por favor tenga a disposición el número del modelo y el número de serie. Los puede encontrar en la etiqueta informativa del producto. Conserve una copia de su ticket en el que aparezca la fecha de la compra.

AVISO

- El Compresor de Aire se apaga automáticamente cuando alcanza el índice de presión (PSI) máximo. Cuando la presión del depósito baja hasta la presión de conexión (presión baja) y el interruptor on/off está en la posición ON, la unidad se reinicia automáticamente.
- En ocasiones, la presión máxima del depósito permanece hasta el siguiente uso, lo que produce que parezca que está fuera de servicio. (Ver el punto arriba indicado).
- Para evitar una pérdida de potencia, sobrecalentamiento y para garantizar la potencia, utilice una toma de aire adicional mejor que un cable de prolongación.

ÍNDICE DE CONTENIDO

- Introducción..... 2
- Reglas de seguridad generales..... 3-4
- Reglas de seguridad específicas 4-5
- Símbolos 6-7
- Aspectos eléctricos 8
- Glosario de términos 9
- Características 10-11
- Armado 11-12
- Transporte 13
- Funcionamiento 14-15
- Mantenimiento 16
- Solución de problemas..... 17
- Lista de piezas de repuesto 18-21
- Garantía 24

INTRODUCCIÓN

Este compresor ofrece numerosas características para hacer más agradable y placentero su uso. En el diseño de este producto se ha conferido prioridad a la seguridad, el desempeño y la fiabilidad, por lo cual se facilita su manejo y mantenimiento.

PELIGRO

Este compresor (o bomba) no está equipado y debe evitarse utilizarlo para suministrar aire para respirar. Es necesario equipo adicional para filtrar y purificar debidamente el aire a fin de que cumpla las especificaciones mínimas de Grado D para respiración, según se explica en la Especificación de Productos G 7.1 - 1966 de la Asociación de Proveedores de Equipo de Gas Comprimido (Compressed Gas Association), OSHA 29 CFR 1910.134. Compressed Gas Association, 14501 George Carter Way, Suite 103, Chantilly VA 20151-1788, (703) 788-2700, www.cganet.com. Tal equipo adicional no ha sido examinado y no debe suponerse o deducirse ninguna conclusión con respecto al correcto uso del aire de respiración.

Si se altera de cualquier forma este compresor, quedan anuladas todas las garantías presentes. El vendedor se exime de toda responsabilidad de cualquier tipo por cualquier pérdida, lesión corporal o daño material.

REGLAS DE SEGURIDAD GENERALES (continúa)

ADVERTENCIA:

Lea y comprenda todas las instrucciones. El incumplimiento de las instrucciones señaladas abajo puede causar descargas eléctricas, incendios y lesiones serias.

GUARDE ESTAS INSTRUCCIONES

ÁREA DE TRABAJO

- **Mantenga limpia y bien iluminada el área de trabajo.** Una mesa de trabajo mal despejada y una mala iluminación son causas comunes de accidentes. El piso debe no estar resbaloso debido a la presencia de cera o polvo.
- **No utilice compresores en atmósferas explosivas, como las existentes alrededor de líquidos, gases y polvos inflamables.** Los compresores generan chispas que pueden encender el polvo y los vapores inflamables.
- **Mantenga alejados a los circunstantes, niños y demás presentes al utilizar compresor y herramientas.** Toda distracción puede causar la pérdida del control de la herramienta.
- **Utilice el compresor de aire en un área abierta por lo menos a 46 cm (18 pulg.) de cualquier pared u objeto que pudiera restringir el flujo de aire fresco a las aberturas de ventilación.**

SEGURIDAD ELÉCTRICA

- **Evite el contacto del cuerpo con las superficies de objetos conectados a tierra, como las tuberías, radiadores, estufas y refrigeradores.** Existe un mayor riesgo de descargas eléctricas si el cuerpo está en contacto con tierra.
- **No exponga los compresores a la lluvia ni a condiciones de humedad.** La introducción de agua en el compresor aumenta el riesgo de descargas eléctricas.
- **No maltrate el cordón eléctrico. Nunca use el cordón eléctrico para portar el compresor ni para sacar la clavija de una toma de corriente. Mantenga el cordón lejos del calor, aceite, bordes afilados y piezas móviles. Cambie de inmediato todo cordón eléctrico dañado.** Los cordones eléctricos dañados aumentan el riesgo de descargas eléctricas.
- **Al utilizar un compresor en el exterior, utilice un cordón eléctrico de extensión que lleve las marcas "W-A" o "W".** Estos cordones eléctricos están aprobados para el uso en el exterior y reducen el riesgo de descargas eléctricas.

SEGURIDAD PERSONAL

- **Al cargar, utilizar y dar servicio a este compresor, el operador y demás personas SIEMPRE deben llevar puesta protección ocular que cumpla con las especificaciones ANSI y ofrezca protección contra partículas que salgan disparadas del FRENTE y de los LADOS.** Se requiere protección ocular como protección contra

sujetadores y desechos que salgan disparados, los cuales pueden causar lesiones oculares serias.

- **Tanto el patrón como el operador deben asegurarse de que se use protección ocular adecuada.** Recomendamos una careta protectora de visión amplia encima de los anteojos normales o de los anteojos de seguridad que ofrecen protección frontal y lateral contra partículas que salen disparadas. Siempre póngase protección ocular con la marca de cumplimiento de la norma ANSI Z87.1.
- **En algunos entornos se requiere protección adicional.** Por ejemplo, en el área de trabajo puede haber exposición a un nivel de ruido que puede dañar el oído. El patrón y el operador deben asegurarse de contar con toda la protección auditiva necesaria y de que sea usada por el operador mismo y demás personas presentes en el área de trabajo. En algunos entornos se requiere el uso de equipo de protección para la cabeza. Cuando se requiera, el patrón y el operador deben asegurarse de que la protección usada para la cabeza lleve la marca de cumplimiento con la norma ANSI Z89.1.
- **Permanezca alerta, preste atención a lo que esté haciendo, y aplique el sentido común al utilizar compresores. No utilice el compresor y las herramientas si está cansado o se encuentra bajo los efectos de alguna droga, alcohol o medicamento.** Un momento de inatención al utilizar un compresor puede causar lesiones corporales serias.
- **Vístase adecuadamente. No vista ropas holgadas ni joyas. Recójase el cabello si está largo. Mantenga el cabello, la ropa y los guantes alejados de las piezas móviles.** Las ropas holgadas, las joyas y el cabello largo pueden engancharse en las piezas móviles.
- **No estire el cuerpo para alcanzar mayor distancia. Mantenga una postura firme y buen equilibrio en todo momento.** La postura firme y el buen equilibrio permiten un mejor control de la herramienta en situaciones inesperadas.
- **Use equipo de seguridad. Siempre póngase protección ocular.** Cuando lo exijan las circunstancias debe ponerse careta contra el polvo, zapatos de seguridad antiderrapantes, casco o protección auditiva.
- **No utilice la unidad al estar en una escalera o en un soporte inestable.** Una postura estable sobre una superficie sólida permite un mejor control de la herramienta en situaciones inesperadas.
- **El aire de su compresor no es seguro para respirar y puede contener monóxido de carbono.** No inhale aire comprimido directamente de la bomba, depósito, recipiente o dispositivo de respiración conectado al compresor de aire. El compresor no está equipado con filtros adecuados ni con equipos de seguridad en línea para el consumo humano. No utilice el aire de descarga para respirar.

EMPLEO Y CUIDADO DEL COMPRESOR

- **No sobrepase la presión nominal de ningún componente del sistema.**
- **Proteja las líneas eléctricas y de aire contra daños o**

REGLAS DE SEGURIDAD GENERALES

perforaciones. Mantenga la manguera y el cordón de corriente lejos de objetos afilados, productos químicos derramados, aceite, solventes y pisos mojados.

- **Revise las mangueras en busca de fugas o desgaste antes de cada uso, asegurándose de que todas las conexiones estén seguras.** No utilice la unidad si encuentra algún defecto. Adquiera una manguera nueva o lleve la unidad a un centro de servicio autorizado para que la examinen y reparen.
- **Purgue lentamente todas las presiones internas del sistema.** El polvo y la basura pueden ser dañinos (si se expulsan demasiado rápido bajo presión).
- **Guarde las herramientas que no estén en uso fuera del alcance de los niños y de toda persona no capacitada en el uso de las mismas.** Las herramientas son peligrosas en manos de personas no capacitadas en el uso de las mismas.
- **Dé mantenimiento con cuidado a las herramientas.** Siga todas las instrucciones de mantenimiento. Las herramientas que han recibido el debido mantenimiento se controlan con mayor facilidad.
- **Revise para ver si hay desalineación o atoramiento de piezas móviles, ruptura de piezas o toda otra condición que pueda afectar el funcionamiento del compresor. Si se daña el compresor, llévela a servicio antes de volver a utilizarla.** Numerosos accidentes son causados por compresores mal cuidadas.
- **Nunca apunte ninguna herramienta hacia sí u otras personas.**
- **Mantenga el exterior del compresor de aire seco, limpio y libre de aceite y grasa.** Siempre utilice un paño limpio

para la limpieza de la unidad. Nunca utilice fluidos para frenos, gasolina, productos a base de petróleo ni solventes fuertes para limpiar la unidad. Con el cumplimiento de esta regla se reduce el riesgo de deterioro del alojamiento de plástico de la unidad.

- **No utilice un generador como fuente de alimentación.** Los compresores de aire utilizan motores de inducción. La mayoría de los generadores no proporcionan la potencia necesaria para arrancar correctamente este tipo de motor. Los fallos que se produzcan debido al uso del generador no estarán cubiertos por la garantía.

SERVICIO

- **El servicio del compresor sólo debe ser efectuado por personal de reparación calificado.** Todo servicio o mantenimiento efectuado por personal no calificado puede significar un riesgo de lesiones.
- **Desconecte el suministro de corriente, abra lentamente la válvula de drenaje para purgar la presión del tanque y permitir que se drene el agua, y por último permita que se enfríe el compresor antes de darle servicio.** Gire la completamente a la izquierda la perilla de regulación de la presión en sentido contrario a las agujas del reloj después de apagar el compresor.
- **Al dar servicio a un compresor, sólo utilice piezas de repuesto idénticas. Siga las instrucciones señaladas en la sección “Mantenimiento” de este manual.** El empleo de piezas no autorizadas o el incumplimiento de las instrucciones de mantenimiento puede significar un riesgo de lesiones.

REGLAS DE SEGURIDAD ESPECÍFICAS (continúa)

- **Familiarícese con sus compresor.** Lea cuidadosamente el manual del operador. Aprenda sus usos y limitaciones, así como los posibles peligros específicos de este compresor. Con el cumplimiento de esta regla se reduce el riesgo de una descarga eléctrica, incendio o lesión seria.
- **Después del uso de cada día, drene toda la humedad del tanque.** Si no va a utilizarse la unidad durante algún tiempo, es mejor dejar abierta la válvula de drenaje hasta cuando vuelva a usarse aquélla. De esta manera se permite drenar completamente la humedad y se impide la corrosión del interior del tanque.
- **Riesgo de incendio o explosión.** No aplique con pistola líquidos inflamables en áreas cerradas. El área de rociado debe estar bien ventilada. No fume mientras esté rociando con pistola, ni rocíe donde haya presentes chispas o flamas. Mantenga los compresores tan lejos del área de pintura y de vapores explosivos como sea posible, por lo menos a 4,6 m (15 pies).
- **Riesgo de estallido.** No ajuste el regulador para producir una presión de salida superior a la presión máxima marcada en el aditamento. No use a presión superior a la presión máxima nominal de este compresor.
- **Si va a conectar este producto a un circuito protegido con fusibles,** utilice fusibles con retardo de tiempo.
- **Para reducir el riesgo de una descarga eléctrica** no exponga la unidad a la lluvia. Guarde la unidad en el interior.
- **Inspeccione anualmente el tanque para ver si tiene herrumbre, picaduras u otras imperfecciones que pudieran afectar la seguridad de la unidad.** Nunca suelde el tanque de aire ni perforo agujeros en el mismo.
- **Asegúrese de que la manguera no esté obstruida ni enganchada.** Si la manguera se enreda o engancha puede causar una pérdida del equilibrio o postura y puede dañarse.
- **Solamente utilice el compresor de aire para el propósito especificado. No altere ni modifique la unidad con respecto a su diseño y funcionamiento originales.**

REGLAS DE SEGURIDAD ESPECÍFICAS

- **Siempre tenga presente que el uso y manejo indebidos de este compresor puede causarle lesiones a usted y a otras personas.**
- **Nunca deje desatendida ningún compresor con la manguera de aire conectada.**
- **No utilice este compresor si no tiene una etiqueta de advertencia.**
- **No continúe usando ninguna herramienta o manguera que tenga fugas de aire o que no funcione correctamente.**
- **Siempre drene completamente la presión del aire y desconecte el suministro de energía** antes de realizar ajustes, dar mantenimiento a un compresor o cuando un compresor no esté en uso.
- **No intente tirar de la manguera ni acarrear el compresor tomándolo por la misma.**
- **Una herramienta determinada puede necesitar más aire del que este compresor es capaz de suministrar.**
- **Cuando se pulveriza un líquido combustible, puede haber peligro de incendio o explosión, sobre todo en áreas cerradas.** Leer el manual de instrucciones antes de utilizar.
- **Arcos eléctricos.** Utilizar la pistola de pulverización con una manguera larga mínimo 7,6 metros y mantener el compresor/motor por lo menos a 6 metros de los vapores explosivos.
- **Siempre siga todas las reglas de seguridad recomendadas por el fabricante de la herramienta de aire, además de todas las reglas de seguridad del compresor de aire.** Con el cumplimiento de esta regla se reduce el riesgo de lesiones serias.
- **Nunca dirija un chorro de aire comprimido hacia personas o animales. Tenga cuidado de no soplar polvo o tierra hacia sí u otras personas.** Con el cumplimiento de esta regla se reduce el riesgo de posibles lesiones serias.
- **Protéjase los pulmones.** Use una careta o mascarilla contra el polvo si la operación genera mucho polvo. Con el cumplimiento de esta regla se reduce el riesgo de lesiones corporales serias.
- **No utilice este compresor de aire para rociar productos químicos.** Pueden resultar afectados los pulmones debido a la inhalación de emanaciones tóxicas. Puede ser necesario utilizar un respirador en entornos polvorientos o al rociar pintura. No acarree la unidad mientras esté pintando.
- **Inspeccione periódicamente los cordones eléctricos y las mangueras de los compresores, y si están dañados, permita que los reparen en el centro de servicio autorizado más cercano de la localidad. Observe constantemente la ubicación del cordón eléctrico.** Con el cumplimiento de esta regla se reduce el riesgo de una descarga eléctrica o incendio.
- **Nunca use un adaptador eléctrico con esta clavija de conexión a tierra.**
- **Revise para ver si hay piezas dañadas.** Antes de seguir utilizando el compresor o la herramienta de aire, es necesario inspeccionar cuidadosamente toda protección o pieza dañada para determinar si funcionará correctamente y desempeñará la función a la que está destinada. Verifique la alineación de las partes móviles, que no haya aforamiento de las mismas, que no haya piezas rotas, el montaje de las piezas y cualquier otra condición que pudiera afectar su funcionamiento. Toda protección o pieza que esté dañada debe repararse apropiadamente o reemplazarse en un centro de servicio autorizado. Con el cumplimiento de esta regla se reduce el riesgo de una descarga eléctrica, incendio o lesión grave.
- **Asegúrese de que esté en buen estado el cordón de extensión.** Al utilizar un cordón de extensión, utilice uno del suficiente calibre para soportar la corriente que consume el producto. Se recomienda que los conductores sean de calibre 12 (A.W.G.) por lo menos para un cordón de extensión de 7,5 metros (25 pies) de largo o menos. No se recomienda utilizar un cordón con más de 30 metros (100 pies) de largo. Si tiene dudas, utilice un cordón del calibre más grueso siguiente. Cuanto menor es el número de calibre, mayor es el grueso del cordón. Un cordón de un calibre insuficiente causa una caída en el voltaje de línea, y produce recalentamiento y pérdida de potencia.



ADVERTENCIA:













Este producto puede exponerlo a químicos incluyendo el plomo, que son conocidos por el estado de California como causantes de cáncer y defectos de nacimientos u otros daños reproductivos.

Más información en www.p65warnings.ca.gov

- **Guarde estas instrucciones.** Consúltelas con frecuencia y empléelas para instruir a otras personas que puedan utilizar este compresor de aire. Si presta a alguien este compresor, facilítele también las instrucciones.




SÍMBOLOS (continúa)

Es posible que se empleen en este compresor algunos de los siguientes símbolos. Le suplicamos estudiarlos y aprender su significado. Una correcta interpretación de estos símbolos le permitirá utilizar mejor y de manera más segura el compresor.

SÍMBOLO	NOMBRE	DENOMINACIÓN/EXPLICACIÓN
V	Volts	Voltaje.
A	Amperes	Corriente.
Hz	Hertz	Frecuencia (ciclos por segundo).
~	Corriente alterna	Tipo de corriente.
	Fabricación Clase II	Fabricación con doble aislamiento.
	Alerta de condiciones húmedas	No exponga la unidad a la lluvia ni la use en lugares húmedos.
	Lea el manual del operador	Para reducir el riesgo de lesiones, el usuario debe leer y comprender el manual del operador antes de usar este producto.
	Protección ocular	Cuando utilice este producto, póngase siempre gafas de seguridad, anteojos protectores con protección lateral, o una careta protectora completa.
	Alerta de seguridad	Precauciones para su seguridad.
	Riesgo de estallido	No ajuste el regulador para producir una presión de salida superior a la presión máxima marcada en el aditamento. No use a presión superior a la presión máxima nominal de este compresor.
	Riesgo de estallido o explosión	El área de rociado debe estar bien ventilada. No fume mientras esté rociando con pistola, ni rocíe donde haya presentes chispas o flamas. Mantenga los compresores tan lejos del área de pintura y de vapores explosivos como sea posible, por lo menos a 4,6 m (15 pies).
	Riesgo de descarga eléctrica	Voltaje peligroso: Desconecte del suministro de corriente la unidad antes de proporcionarle servicio. El compresor debe conectarse a tierra.
	Superficie caliente	Para reducir el riesgo de lesiones corporales o daños materiales evite tocar toda superficie caliente.
	Protección auditiva	Siempre use protectores auditivos cuando use este compresor. Si no lo hace podría sufrir pérdida de la audición.
	Riesgo de respiración	El aire obtenido directamente del compresor nunca debe utilizarse para consumo humano.
	Drene la humedad diariamente	Vacíe el depósito diariamente.

SÍMBOLOS

Las siguientes palabras de señalización y sus significados tienen el objeto de explicar los niveles de riesgo relacionados con este producto.

SÍMBOLO	SEÑAL	SIGNIFICADO
	PELIGRO:	Indica una situación peligrosa inminente, la cual, si no se evita, causará la muerte o lesiones serias.
	ADVERTENCIA:	Indica una situación peligrosa posible, la cual, si no se evita, podría causar la muerte o lesiones serias.
	PRECAUCIÓN:	Indica una situación peligrosa posible, la cual, si no se evita, podría causar lesiones menores o leves.
	PRECAUCIÓN:	(Sin el símbolo de alerta de seguridad.) Indica una situación que puede producir daños materiales.

SERVICIO

El servicio del compresor requiere extremo cuidado y conocimientos técnicos, por lo cual sólo debe ser efectuado por un técnico de servicio calificado. Para dar servicio a la herramienta, le sugerimos llevarla al **CENTRO DE SERVICIO AUTORIZADO** de su preferencia para que la reparen. Al dar servicio a la unidad, sólo utilice piezas de repuesto idénticas.



ADVERTENCIA:

Para evitar lesiones corporales serias, no intente utilizar este producto sin haber leído y comprendido totalmente el manual del operador. Guarde este manual del operador y estúdielo frecuentemente para lograr un funcionamiento seguro y continuo de este producto, y para instruir a otras personas quienes pudieran utilizarlo.

ADVERTENCIA:



Cualquier compresor en funcionamiento puede lanzar objetos hacia los ojos, lo cual puede causar serios daños a los mismos. Antes de comenzar a utilizar un compresor, póngase siempre gafas de seguridad, anteojos protectores con protección lateral o careta completa cuando sea necesario. Recomendamos la careta protectora de visión amplia encima de los anteojos normales, o los anteojos protectores estándar con protección lateral. Siempre póngase protección ocular con la marca de cumplimiento de la norma ANSI Z87.1.

ASPECTOS ELÉCTRICOS

CORDONES DE EXTENSIÓN

Sólo utilice cordones de extensión de tres conductores con clavijas de tres patillas y receptáculos de tres polos que acepten la clavija del cordón del compresor. Al utilizar el compresor de aire a una distancia considerable del suministro de corriente, asegúrese de utilizar un cordón de extensión del grueso suficiente para soportar el consumo de corriente del compresor. Un cordón de extensión de un grueso insuficiente causa una caída en el voltaje de línea, además de producir una pérdida de potencia y un recalentamiento del motor. Básese en la tabla suministrada abajo para determinar el calibre mínimo requerido de los conductores del cordón de extensión. Solamente deben utilizarse cordones con forro redondo registrados en Underwriter's Laboratories (UL).

Tabla de cables de extensión	
Calibre mínimo del cable	
Longitud del cable de extensión	Motor (1.0, 1.5 y 2.0 CV)
Hasta 25 pies	Calibre 12
25 – 50 pies	Calibre 10
50 – 100 pies	Calibre 8

Al trabajar a la intemperie con el compresor, utilice un cordón de extensión fabricado para uso en el exterior. Tal característica está indicada con las letras "WA" en el forro del cordón. Antes de utilizar un cordón de extensión, inspecciónelo para ver si tiene conductores flojos o expuestos y aislamiento cortado o gastado.

⚠ ADVERTENCIA:

Mantenga el cordón de extensión fuera del área de trabajo. Al trabajar con un compresor, coloque el cordón de tal manera que no pueda enredarse en la madera, herramientas o ninguna obstrucción. La inobservancia de esta advertencia puede causar lesiones serias.

⚠ ADVERTENCIA:

Inspeccione los cordones de extensión cada vez antes de usarlos. Si están dañados, reemplácelos de inmediato. Nunca utilice el compresor con un cordón dañado, ya que si toca la parte dañada puede producirse una descarga eléctrica, y las consecuentes lesiones serias.

- **NOTA:** Utilice mangueras de aire largas en lugar de cordones de extensión largos. De esta manera el compresor funciona mejor y dura más.

CONEXIÓN ELÉCTRICA

Este compresor de aire está accionado por un motor eléctrico fabricado con precisión. Debe conectarse únicamente a **una línea de voltaje de 120 V, 60 Hz, de corriente alterna solamente (corriente normal para uso doméstico)**. No utilice este compresor con corriente continua (c.c.). Una caída considerable de voltaje causa una pérdida de potencia y el recalentamiento del motor. Si el compresor no funciona al conectarlo en una toma de corriente, vuelva a revisar el suministro de corriente.

VELOCIDAD Y CABLEADO

La velocidad en vacío del motor eléctrico varía por el modelo y la especificación. La velocidad del motor no es constante y disminuye durante el corte o con un voltaje bajo. En cuanto al voltaje, el cableado de un taller es tan importante como la potencia nominal del motor. Una línea destinada sólo para luces no puede alimentar el motor de un compresor. El cable con el calibre suficiente para una distancia corta será demasiado delgado para una mayor distancia. Una línea que alimenta un compresor quizá no sea suficiente para alimentar dos o tres compresores.

INSTRUCCIONES DE CONEXIÓN A TIERRA

Este producto se debe conectar a tierra. En caso de cortocircuito eléctrico, la conexión a tierra reduce el riesgo de choque al proveer un cable de escape para la corriente eléctrica. Este compresor de aire está equipado de un cordón eléctrico con una clavija dotada de un conductor de conexión a tierra. La clavija debe conectarse en una toma de corriente igual que esté instalada y conectada a tierra correctamente, de conformidad con los códigos y reglamentos de la localidad. No modifique la clavija suministrada. Si no entra en la toma de corriente, llame a un electricista calificado para que instale una toma de corriente adecuada.

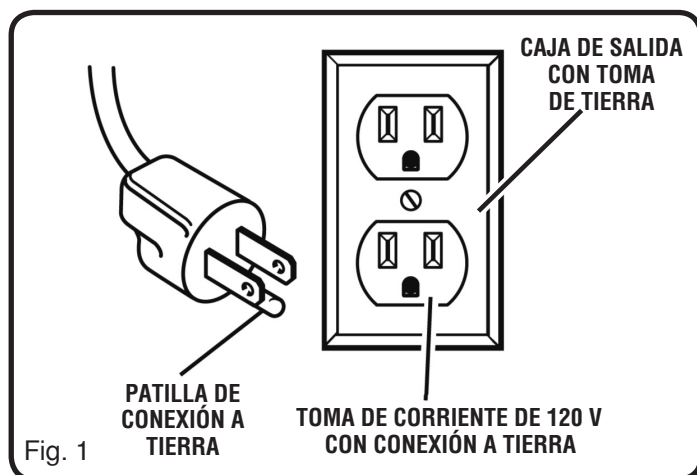
⚠ ADVERTENCIA:

Si se conecta de forma incorrecta el conductor de conexión a tierra del equipo puede presentarse un riesgo de descarga eléctrica.

El conductor con aislamiento que tiene una superficie exterior verde con o sin tiras amarillas es el conductor de conexión a tierra del equipo. Si es necesaria la reparación o reemplazo del cordón eléctrico o de la clavija, no conecte el conductor de conexión a tierra a una terminal portadora de corriente. Consulte a un electricista calificado o técnico de servicio si no ha comprendido completamente las instrucciones de conexión a tierra o si no está seguro si el compresor está conectado a tierra correctamente.

Repáre o reemplace de inmediato todo cordón dañado o gastado.

Este producto ha sido diseñado para uso en un circuito de 120 V nominales y tiene un enchufe de descarga a tierra similar al ilustrado en la Figura 1. Conecte el producto sólo a un tomacorriente que tenga la misma configuración del enchufe. No use adaptadores con este producto.



GLOSARIO DE TÉRMINOS

Filtro de aire

Es un elemento poroso contenido dentro de un alojamiento de metal o plástico unido al cilindro de la culata del cilindro del compresor, el cual sirve para eliminar las impurezas del aire de entrada del compresor.

Tanque de aire

Es un componente cilíndrico que contiene el aire comprimido.

Válvula de retención

Es un dispositivo cuya función es impedir que el aire comprimido se regrese del tanque de aire a la bomba del compresor.

Presión de activación

Es la presión baja a la cual arranca automáticamente el motor.

Presión de interrupción

Es la presión alta a la cual se apaga automáticamente el motor.

Motor eléctrico

Es el dispositivo encargado de suministrar la fuerza rotatoria necesaria para accionar la bomba del compresor.

Interruptor de encendido manual

Es el control empleado para encender y apagar el compresor. El interruptor de presión no enciende y controla automáticamente el compresor a menos que el interruptor de encendido manual esté en la posición de encendido (I).

NPT

NPT es un estándar norteamericano para roscas cónicas (NPT) o rectas (NPS) utilizadas para unir tubos y accesorios. Debe utilizarse una cinta selladora de roscas para tener un sello a prueba de fugas en las conexiones roscadas de tubos.

Perilla de regulación de presión

Sirve para regular la presión de la salida de aire dirigida a la herramienta. Es posible aumentar o disminuir la presión presente en la salida ajustando esta perilla de control.

Interruptor de presión

Sirve para controlar los ciclos de encendido y apagado del compresor. Apaga el compresor cuando se alcanza la presión de interrupción del tanque y arranca el compresor cuando la presión del aire desciende abajo de la presión de interrupción.

PSI (Libras por pulgada cuadrada)

Son las unidades de medida de la presión ejercida por la fuerza del aire. La presión real en PSI es medida por el manómetro del compresor.

Bomba

Es el dispositivo que produce el aire comprimido mediante un pistón de vaivén contenido dentro del cilindro.

Manómetro regulador

Muestra la presión actual en el conducto. La presión del conducto se ajusta girando la perilla de regulación de presión.

Válvula de seguridad

Su función es impedir que la presión del aire ascienda más allá de un límite predeterminado.

PCEPM (Pies cúbicos estándar por minuto)

La unidad de medida de suministro de aire.

L/min (litros por minuto)

La unidad de medida de suministro de aire.

Manómetro del tanque

Sirve para indicar la presión interna del tanque.

Interruptor de sobrecarga térmica

Sirve para apagar automáticamente el compresor si la temperatura del motor eléctrico se excede de un límite predeterminado.

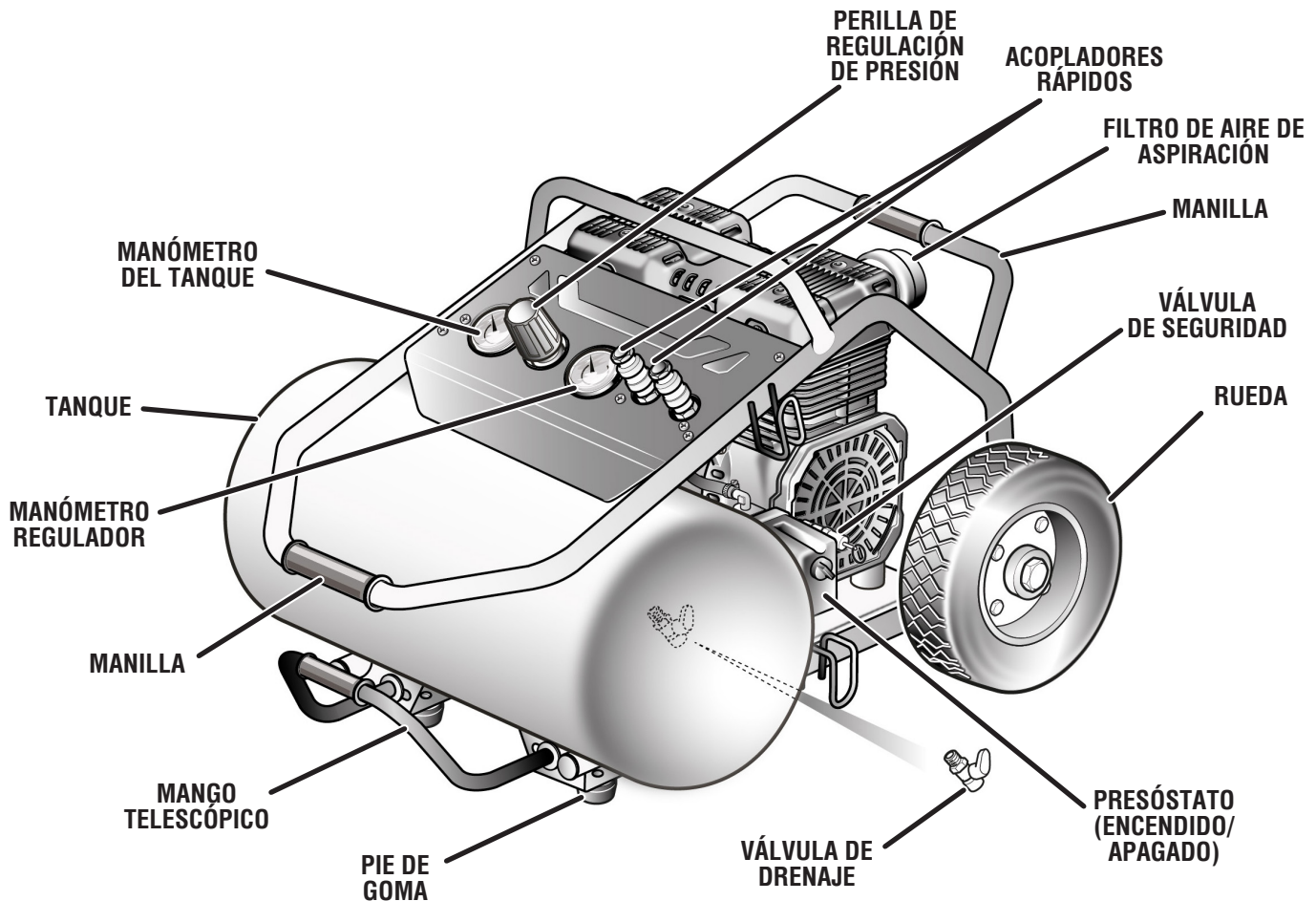
CARACTERÍSTICAS (continúa)

ESPECIFICACIONES DEL PRODUCTO

Potencia de funcionamiento 1,575 kW
Capacidad del tanque de aire..... 20,8 L. (5,5 gal.)
Presión de aire 1207 kPa (200 psi) máx.
Suministro de aire 141,6 L/min (5 SCFM) @ 620,5 kPa (90 psi)
Relación de intermitencia S3/50% - 5 minutos de trabajo
..... y 5 minutos de parada

Tiempo de bombeo (0-175 PSI) 1:50
Lubricación Lubricación permanente con aceite
Manómetros..... 5,0 (2 pulg.) de diámetro
Corriente de entrada..... 120 V, 60 Hz, 13,5 A, sólo corr. alt.
Peso neto (sólo compresor)42,6 kg (94 lbs.)

Fig. 2



CARACTERÍSTICAS

FAMILIARÍCESE CON EL COMPRESOR

Vea la figura 2.

Antes de intentar utilizar este producto, familiarícese con todas las características de funcionamiento y normas de seguridad de la unidad.

MOTOR UNIVERSAL DE LUBRICACIÓN PERMANENTE

El compresor incorpora cojinetes lubricados permanentemente.

INTERRUPTOR DE ENCENDIDO/APAGADO

Este interruptor se usa para arrancar o parar (apagar) el compresor de aire. Al moverlo a la posición "ON" (encendido) se suministra alimentación automática al interruptor de presión lo que permitirá que el motor arranque cuando la presión del tanque de aire está por debajo de la presión de "activación" ajustada en fábrica. Cuando se coloca en la opción de Start/Stop Option (arranque/parada), el interruptor de presión apaga el motor cuando la presión del tanque de aire llega a la presión de "desactivación" ajustada en fábrica. Al mover el interruptor a la posición "OFF" (apagado) se corta la alimentación al interruptor de presión y se apaga el compresor de aire.

PROTECTOR CONTRA SOBRECARGA TÉRMICA DEL MOTOR

El motor eléctrico tiene un protector contra sobrecarga térmica. Si por cualquier razón el motor se sobrecalienta, este protector corta la alimentación eléctrica, impidiendo así que el motor se dañe. Espere hasta que el motor esté frío.

FILTRO DE ADMISIÓN DE AIRE

El filtro está diseñado para limpiar el aire que entra a la bomba. Para asegurar que la bomba recibe continuamente un suministro de aire seco, frío y limpio, este filtro debe estar siempre limpio y los orificios de venteo libres de obstrucciones.

BOMBA DEL COMPRESOR DE AIRE

Para comprimir el aire, el pistón sube y baja en el cilindro. En la carrera descendente, la válvula de admisión aspira aire del exterior mientras la válvula de escape permanece cerrada. En la carrera ascendente, el aire se comprime, la válvula de admisión de cierra y el aire comprimido es forzado al exterior a través de la válvula de escape al tubo de descarga, a través de la válvula de retención (antirretorno) y al interior del tanque de aire.

VÁLVULA DE SEGURIDAD

Esta válvula está diseñada para evitar fallas en el sistema, descargando la presión del sistema cuando el aire comprimido llega a un nivel predeterminado. La válvula es preajustada por el fabricante y no debe modificarse de manera alguna. Para verificar si la válvula está funcionando correctamente, tire del anillo. Deberá escapar presión de aire. Al soltar el anillo, se reasentará.

VÁLVULA DE DRENAJE

Esta válvula se usa para purgar la humedad del tanque (tanques) de aire después que se apaga el compresor de aire.

MANÓMETRO DEL TANQUE

El manómetro indica la presión del aire en el interior del tanque.

MANÓMETRO REGULADOR

La presión actual del conducto aparece en el manómetro regulador. Esta presión puede ajustarse girando la perilla de regulación de presión.

PERILLA DE REGULACIÓN DE PRESIÓN

Para ajustar la cantidad de aire suministrada a través de la manguera, utilice la perilla de regulación de presión. La presión de aire proveniente del tanque de aire se controla mediante la perilla del regulador. Gire la perilla de regulación en sentido de las agujas del reloj para aumentar la presión de descarga, y en sentido contrario para disminuirla.

ARMADO (continúa)

DESEMPAQUETADO

Embarcamos este producto completamente armado.

- Extraiga cuidadosamente de la caja el compresor. Asegúrese de que estén presentes todos los artículos enumerados en la lista de empaquetado.
- Inspeccione cuidadosamente el compresor para asegurarse de que no haya sufrido ninguna rotura o daño durante el transporte.
- No deseche el material de empaquetado hasta que haya inspeccionado cuidadosamente y utilizado satisfactoriamente el compresor.
- Si hay piezas dañadas o faltantes, le suplicamos llamar al vendedor, donde le brindaremos asistencia.

LISTA DE EMPAQUETADO

Compresor de aire (1)
Manual del usuario (1)

ADVERTENCIA:

Si faltan piezas, no utilice el compresor sin haber reemplazado todas las piezas faltantes. La inobservancia de esta advertencia puede causar lesiones serias.

ADVERTENCIA:

No intente modificar este compresor ni hacer accesorios no recomendados para la misma. Cualquier alteración o modificación constituye maltrato el cual puede causar una condición peligrosa, y como consecuencia posibles lesiones corporales serias.

PRECAUCIÓN:

No levante el compresor del mango telescópico.

ARMADO

CÓMO CONECTAR LA MANGUERA

- Introduzca entonces el tubo de PVC en el acoplador rápido ya conectado en el compresor (Fig. 3).

⚠ ADVERTENCIA:

No conecte las herramientas en el extremo abierto de la manguera sin haber efectuado el procedimiento inicial.

- Sujete firmemente el extremo abierto de la manguera, y sosténgalo apuntando en una dirección donde no se encuentre usted ni otras personas.

CALENTAMIENTO DEL COMPRESOR

Vea las figuras 3 y 5

- Revise y apriete todos los pernos, adaptadores, etc.
- Gire completamente a la derecha la perilla de regulación de presión para abrir el flujo de aire.
- Coloque el interruptor en la posición de apagado (O) y conecte el cordón de corriente.
- Abra completamente la válvula de drenaje.
- Encienda el compresor de aire (I) y hágalo funcionar durante 30-40 segundos con la válvula de drenaje abierta.
- Ponga el interruptor del motor en la posición de apagado (O).
- Cierre la válvula de drenaje.
- Repita este procedimiento de arranque en frío antes de cada uso

PROTECTOR CONTRA LA SOBRECARGA

Este compresor de aire está provisto de un dispositivo térmico de sobrecarga que desactivará el compresor de aire de forma automática si este se calienta en exceso. Si el motor se apaga repetidamente, compruebe en primer lugar las siguientes posibles causas: baja tensión de la toma de corriente; falta de ventilación adecuada o temperatura externa o ambiente demasiado alta; cable de extensión demasiado largo o uso del cable del manómetro equivocado.

Para reiniciar el compresor de aire:

- Apague el compresor de aire.
- Desconecte el compresor de aire y déjelo enfriar durante 30 minutos.
- Conecte el compresor a una toma aprobada.
- Encienda el compresor.

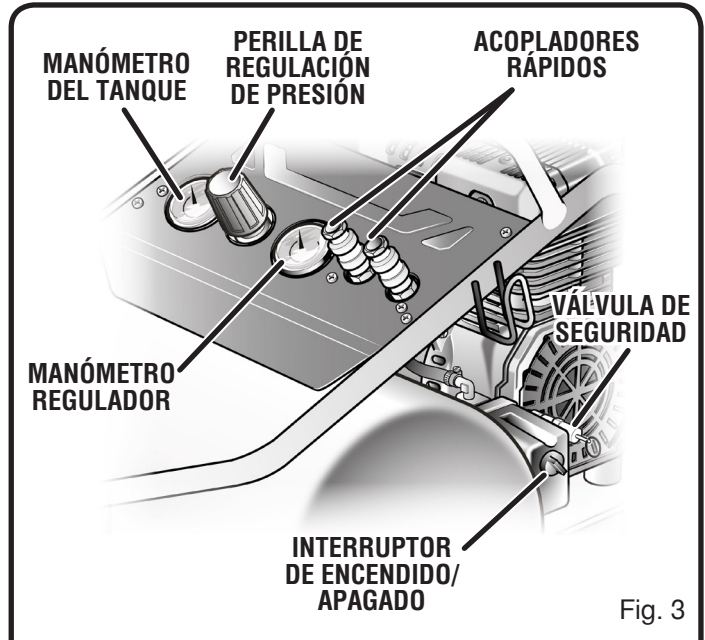


Fig. 3

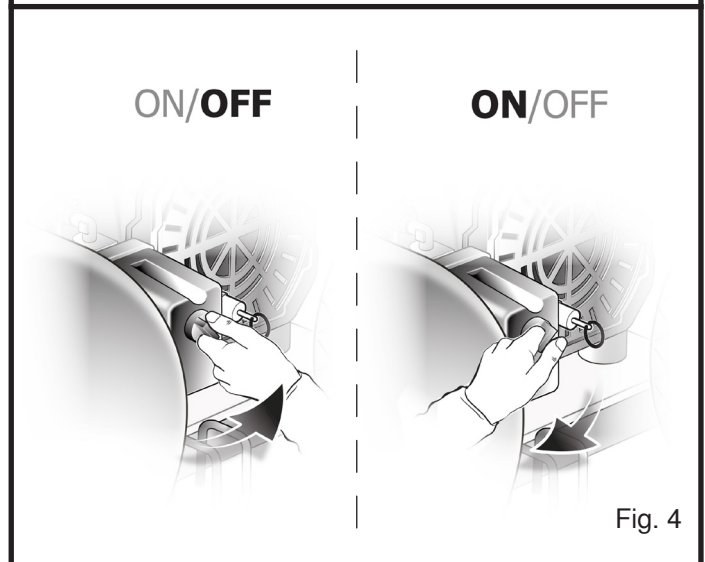


Fig. 4

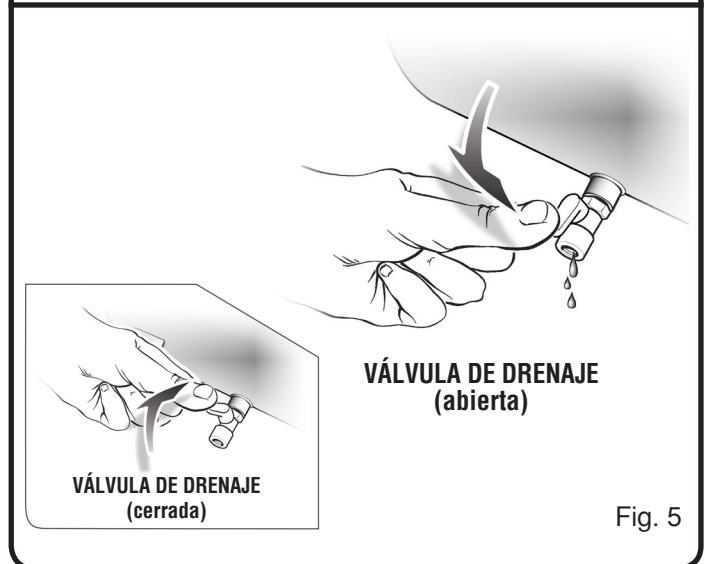


Fig. 5

TRANSPORTE

TRANSPORTE

See Figures 6 - 8.

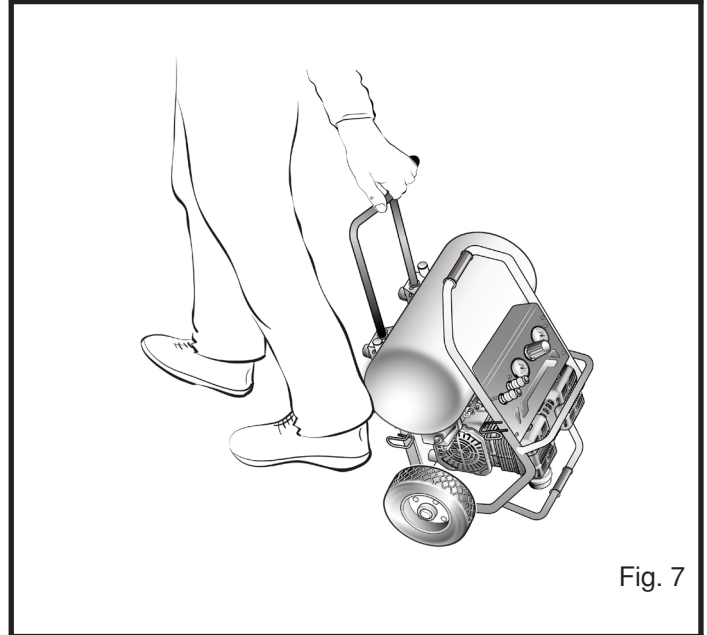
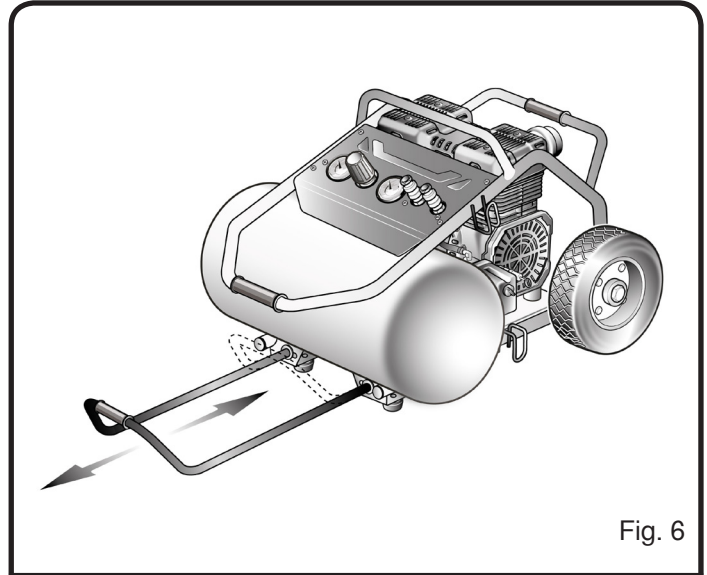
- Saque del mango telescópico hasta que quede fija en su lugar (Fig. 6).

⚠ PRECAUCIÓN:

El mango telescópico es solo para jalar de la unidad (Fig. 7).

NO levante la unidad con este mango.

- Para plegar el mango, aplique presión en las primeras pulgadas para desbloquearla; a continuación, deslícela directamente hasta que se detenga (Fig. 6).

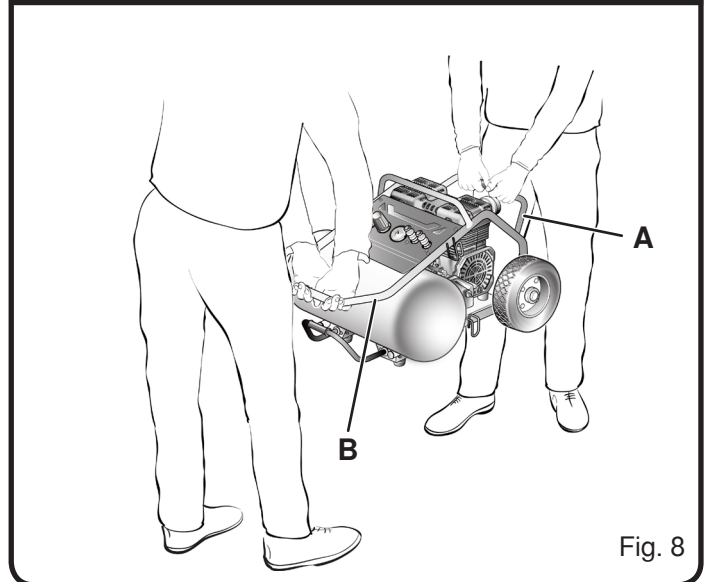


⚠ ADVERTENCIA:

Se requiere dos personas para el levantamiento. No intente levantar el compresor sólo.

Es necesaria la ayuda de otra persona para levantar el compresor (Fig. 8).

El compresor se levanta sujetando las manijas A y B (Fig. 8).



- Al transportar el compresor, no deje caer la unidad ni permita que la unidad caiga desde una posición vertical.

FUNCIONAMIENTO (continúa)

USOS

Los compresores de aire se utilizan en una variedad de sistemas de suministro de aire. Las mangueras, conectores, herramientas de aire y accesorios deben corresponder a la capacidad del compresor de aire. Este compresor puede emplearse para los fines enumerados abajo:

- Accionamiento herramientas neumáticas que requieren menos de 5 SCFM @ 90 PSI.
- Para pistolas grapadoras neumáticas, inflado de neumáticos, limpieza / soplado con aire comprimido.

USO DEL COMPRESOR

Vea las figuras 9 y 10.

- Asegúrese de que la válvula de drenaje del tanque está cerrada (consulte la Fig. 9).
- Asegúrese de que el interruptor de alimentación de encendido y apagado (ON/OFF) se encuentra en la posición de apagado (O) y que el compresor de aire está desconectado (consulte la Fig. 9).
- Asegúrese de que el botón del regulador de la presión está girado por completo en el sentido contrario a las agujas del reloj (consulte la Fig. 9).
- Si no está instalada aún manguera, conéctela al compresor.
- Conecte herramientas neumáticas a la manguera del aire introduciendo el conector macho de conexión rápida al racor rápido que hay en el extremo de la manguera (consulte la Fig. 10).
- Conecte el cordón al suministro de corriente.
- Ponga el interruptor en la posición de encendido (I).
- Gire la perilla de regulación de presión para ponerla en la presión del conducto deseada. Si se gira a la derecha la perilla se aumenta la presión de aire en la salida; si se gira a la izquierda se disminuye dicha presión.
- **NOTA:** Antes de conectar o desconectar las herramientas neumáticas, gire el botón del regulador en el sentido contrario a las agujas del reloj para detener el flujo de aire.
- Ahora puede proceder a utilizar la herramienta accionada por aire deseada, siguiendo las medidas de precaución indicadas en este manual y las instrucciones del fabricante de la herramienta de aire señaladas en el manual de la misma.
- Si utiliza un dispositivo de inflado con un racor de conexión rápida, controle la cantidad de caudal de aire con la perilla de regulación de la presión. Si gira el botón por completo en sentido contrario a las agujas del reloj, el caudal de aire se detendrá totalmente.
- **NOTA:** Siempre use la cantidad de presión mínima necesaria en cada caso. Si usa una presión mayor de la necesaria se drena el aire del tanque con mayor rapidez y la unidad efectúa con mayor frecuencia su ciclo de funcionamiento.
- Al terminar, siempre drene el tanque y desconecte la unidad. Nunca deje conectada ni funcionando desatendida la unidad.

⚠ ADVERTENCIA:

Revise el manual de la herramienta neumática para asegurarse de que la configuración del regulador de presión de aire es la correcta para un funcionamiento óptimo de la herramienta neumática. Si usa una herramienta neumática que no se incluyó originalmente en la lista de contenido del paquete (no necesariamente incluido con el modelo de compresor de aire que compró), puede que su herramienta requiera un consumo de aire mayor del que este compresor de aire está diseñado para suministrar. Siempre lea el manual de la herramienta neumática del propietario para unir el suministro de aire correcto con su herramienta neumática y prevenir daños a la herramienta o riesgos de lesiones personales.

⚠ ADVERTENCIA:

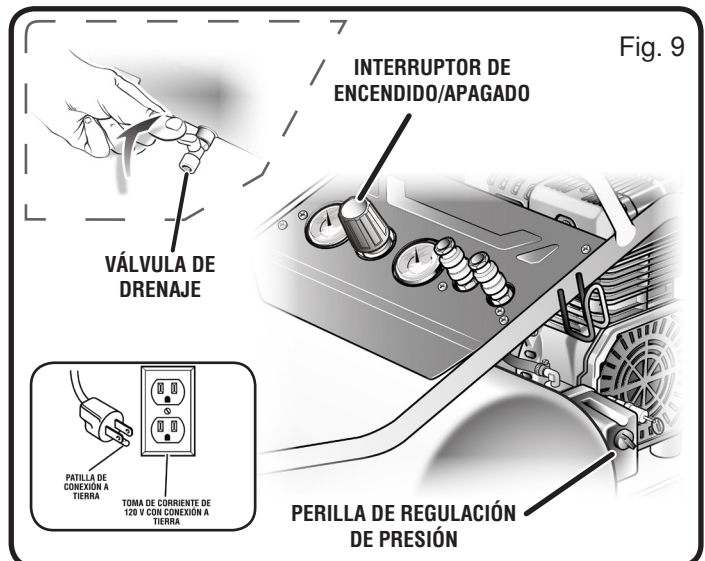
No permita que su familiarización con el compresor y las herramientas lo vuelva descuidado. Tenga presente que un descuido de un instante es suficiente para causar una lesión grave.

⚠ ADVERTENCIA:

Cuando utilice compresores, póngase siempre gafas de seguridad o anteojos protectores con protección lateral. La inobservancia de esta advertencia puede causar el lanzamiento de objetos a los ojos, y por consecuencia posibles lesiones serias.

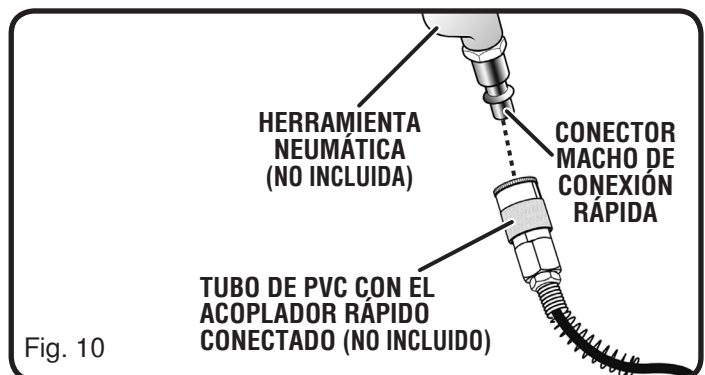
PRECAUCIÓN:

No utilice la unidad en ningún entorno polvoriento o contaminado de cualquier forma. Si se utiliza el compresor de aire en este tipo de entorno puede dañarse.



⚠ ADVERTENCIA:

Siempre asegúrese de que el interruptor esté en la posición de apagado (O) y el manómetro regulador indique cero antes de cambiar de herramienta de aire o desconectar la manguera de la salida de aire. La inobservancia de esta advertencia puede causar lesiones corporales serias.



FUNCIONAMIENTO

DRENADO DEL TANQUE

Vea la figura 11.

Como ayuda para impedir la corrosión del tanque y mantener el aire libre de humedad, debe drenarse diariamente el tanque del compresor.

Para drenar el tanque:

- Asegúrese de que el compresor está apagado.
 - Sujetándolo por la manilla, inclinar el compresor hacia las válvulas de drenaje de tal manera que éste se encuentre en la posición más baja.
 - Abra las válvulas de drenaje girando la manilla de las válvulas de drenaje a la izquierda en 1/4 de vuelta.
 - Mantener el compresor inclinado hasta que toda la humedad salga del tanque.
 - Drene la humedad del tanque, recibéndola en un recipiente adecuado.
- NOTA:** La humedad condensada es material contaminante y debe desecharse de conformidad con los reglamentos locales.
- Si se tapa la válvula de drenaje, purgue toda la presión de aire, retire la válvula, límpiela y vuelva a instalarla.

⚠ ADVERTENCIA:

Desconecte el compresor de aire y suelte todo el aire del tanque antes de darle servicio. Si no se purga la presión del tanque antes de intentar retirar la válvula, pueden producirse lesiones serias.

- Cierre las válvulas de drenaje girando la manilla de las válvulas de drenaje a la derecha en 1/4 de vuelta.

REVISIÓN DE LA VÁLVULA DE SEGURIDAD

Vea la figura 12.

⚠ PELIGRO:

No intente forzar o alterar la válvula de seguridad. Cualquier pieza floja de este dispositivo puede volar y golpearlo. La inobservancia de esta advertencia podría causar lesiones serias, e incluso la muerte.

La válvula de seguridad está diseñada para soltar aire automáticamente si la presión del aparato receptor del aire sobrepasa el límite máximo prefijado. Debe revisarse la válvula cada día antes de usar la unidad; para ello, tire del aro con la mano.

- Encienda el compresor y permita que se llene el tanque. El compresor se apaga cuando la presión alcanza el límite máximo prefijado.
- Apague el compresor.
- Tire del aro de la válvula de seguridad para soltar aire durante tres a cinco segundos.
- Suelte el aro. Al soltar el aro, el aire debe dejar de salir de inmediato. Cualquier pérdida de aire que permanezca después de soltarse el aro de la válvula de seguridad indica un problema en ésta. Interrumpa el uso de la unidad y permita que se dé servicio a la misma antes de volver a usar el compresor.

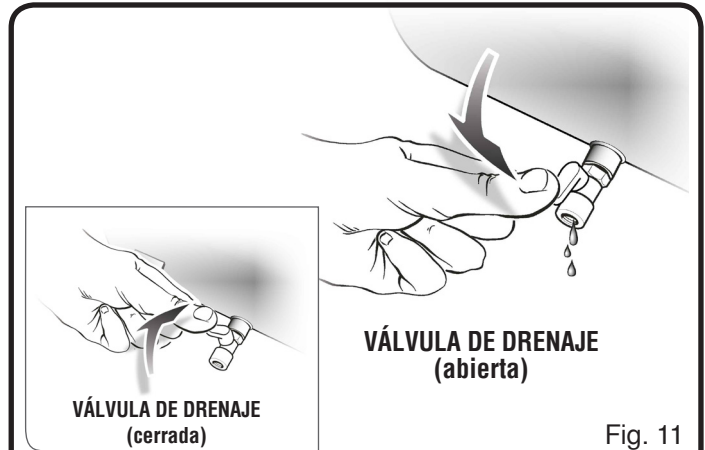


Fig. 11

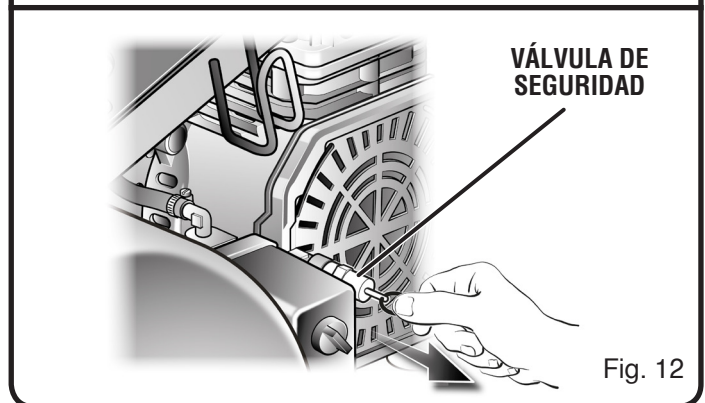


Fig. 12

⚠ ADVERTENCIA:

Si se fuga aire después de soltar el aro, o si está pegada la válvula y no puede accionarse con el aro, no utilice el compresor de aire, sino hasta haber reemplazado la válvula. Utilizar el compresor de aire en estas condiciones puede producir lesiones serias.

FIN DE LA OPERACIÓN / ALMACENAMIENTO

- Asegúrese de que el interruptor de alimentación de encendido y apagado (ON/OFF) se encuentra en la posición OFF (apagado).
- Desconecte el cable de alimentación de la red eléctrica y envuelva la zona del mango para evitar daños cuando no esté en uso.
- Colóquese unas gafas de protección y drene el tanque de aire tirando de la anilla colocada en la válvula de seguridad. Use la otra mano para evitar que la corriente rápida de aire vaya dirigida hacia su rostro.
- Drene el tanque de condensación abriendo la válvula de drenaje que hay en el fondo del tanque. La presión del tanque debería ser inferior a 10 psi durante el proceso de drenaje del mismo.
- La manguera de aire debería permanecer desconectada del compresor y colgada con ambos extremos abiertos y hacia abajo para que se drene toda la humedad.
- El compresor y la manguera deben almacenarse en un lugar fresco y seco.
- El compresor se puede almacenar en posición horizontal y vertical.

⚠ ADVERTENCIA:

Drene siempre el tanque antes de almacenar el compresor en posición vertical.

MANTENIMIENTO

ADVERTENCIA:

Al dar servicio a la unidad, sólo utilice piezas de repuesto idénticas. El empleo de piezas diferentes puede causar un peligro o dañar el producto.

ADVERTENCIA:

Siempre use gafas de seguridad o anteojos protectores con protección lateral al usar compresores o al soplar el polvo con aire comprimido. Si la operación genera mucho polvo, también póngase una mascarilla contra el polvo.

ADVERTENCIA:

Siempre purgue toda la presión, desconecte la unidad del suministro de corriente y permita que se enfríe antes de limpiarla o efectuarle reparaciones.

Evite el empleo de solventes al limpiar piezas de plástico. La mayoría de los plásticos son susceptibles a diferentes tipos de solventes comerciales y pueden resultar dañados. Utilice paños limpios para eliminar la suciedad, el polvo, el aceite, la grasa, etc.

ADVERTENCIA:

No permita en ningún momento que fluidos para frenos, gasolina, productos a base de petróleo, aceites penetrantes, etc., lleguen a tocar las piezas de plástico. Las sustancias químicas pueden dañar, debilitar o destruir el plástico, lo cual a su vez puede producir lesiones corporales serias.

MANTENIMIENTO GENERAL

La humedad del aire causa se condensa en el tanque. Esta humedad condensada debe drenarse diariamente y/o cada hora siguiendo las instrucciones encontradas en el apartado **Drenado del tanque**.


La válvula de seguridad está diseñada para soltar aire automáticamente si la presión del aparato receptor del aire sobrepasa el límite máximo prefijado. Revise la válvula de seguridad cada vez antes de usar la unidad siguiendo las instrucciones indicadas en el apartado **Revisión de la válvula de seguridad**.

Inspeccione anualmente el tanque para ver si tiene herrumbre, picaduras u otras imperfecciones que pudieran afectar la seguridad de la unidad.

LUBRICACIÓN

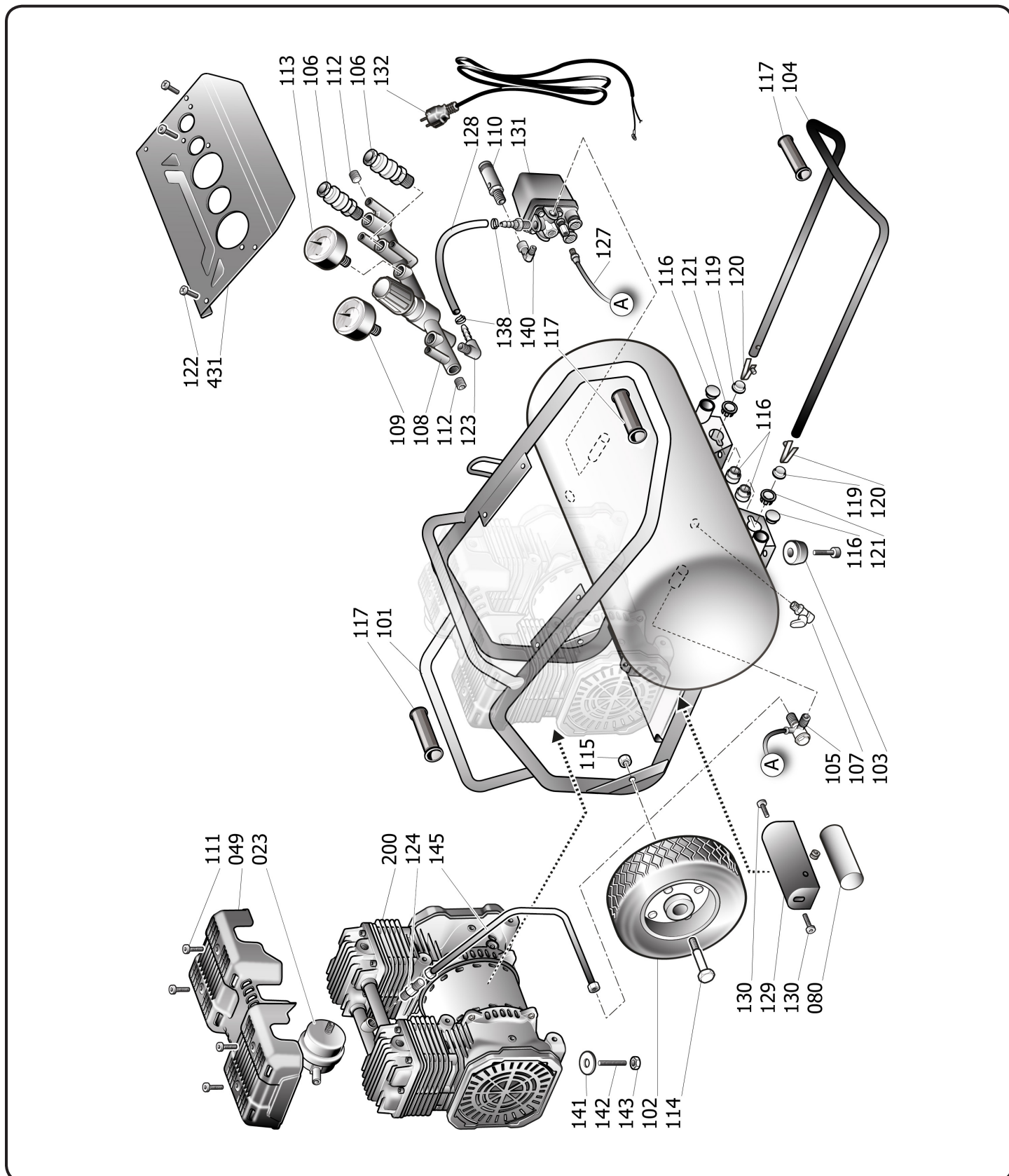
Todos los cojinetes de este compresor están lubricados con suficiente cantidad de aceite de alta calidad para toda la vida útil de la unidad en condiciones normales de funcionamiento. Por lo tanto, no se necesita lubricación adicional de los cojinetes.

SOLUCIÓN DE PROBLEMAS

Problema	Causa	Solución
El compresor no arranca	<p>El tanque tiene suficiente presión.</p> <p>No hay energía eléctrica. Fusibles de casa/taller fundidos. El Disyuntor de casa/taller salta.</p> <p>Sobrecarga térmica activada.</p> <p>Pérdida de potencia o sobrecalentamiento.</p> <p>El interruptor de presión es defectuoso.</p>	<p>El compresor se enciende cuando la presión del tanque desciende a la presión de anaque.</p> <p>Asegurase de que la unidad esté enchufada.</p> <p>Reemplazar el fusible de casa/taller.</p> <p>Restablecer el disyuntor del taller o casa y determinar la causa del problema.</p> <p>Primero desconecte el compresor, drene la presión del depósito y espere hasta que se enfríe. Una vez enfriado, será posible utilizarlo nuevamente.</p> <p>Para un uso apropiado, comprobar la extensión del cable.</p> <p>Remplazar el interruptor de presión.</p>
El motor zumba pero no funciona o lo hace con lentitud	<p>Voltaje bajo.</p> <p>Cordón de extensión de calibre o longitud equivocados.</p> <p>El devanado del motor tiene corto o esté abierto.</p> <p>Válvula de retención o de seguridad defectuosa.</p>	<p>Revisar con voltímetro.</p> <p>Verifique que el calibre y la longitud del cable sean los correctos.</p> <p>Póngase en contacto con el Servicio de Atención al Cliente de ROLAIR (800) 310-3573.</p> <p>Póngase en contacto con el Servicio de Atención al Cliente de ROLAIR (800) 310-3573.</p>
Los fusibles se funden o el disyuntor del circuito se dispara continuamente	<p>Fusible de capacidad incorrecta, sobrecarga en el circuito.</p> <p>Cordón de extensión de calibre o longitud equivocados.</p> <p>Válvula de retención o de seguridad defectuosa.</p>	<p>Verifique que el fusible sea de la capacidad correcta, use un fusible con retardo de tiempo, desconecte otros aparatos eléctricos del circuito o conecte el compresor a un subcircuito exclusivo.</p> <p>Verifique que el calibre y la longitud del cable sean los correctos.</p> <p>Lleve el compresor a un centro de servicio.</p>
El protector contra sobrecarga térmica interrumpe la corriente continuamente	<p>Voltaje bajo.</p> <p>Ventilación insuficiente / temperatura ambiental demasiado elevada.</p> <p>Cordón de extensión de calibre o longitud equivocados.</p>	<p>Revise con voltímetro.</p> <p>Lleve el compresor a un lugar bien ventilado.</p> <p>Verifique que el calibre y la longitud del cable sean los correctos.</p>
La presión del aparato receptor del aire desciende cuando se apaga el compresor.	<p>Conexiones flojas (adaptadores, mangueras, etc.).</p> <p>Válvula de drenaje floja.</p> <p>Revise para ver si hay fugas en la válvula.</p>	<p>Revise todas las conexiones con solución de agua y jabón, y apriételas.</p> <p>Apriete la válvula de drenaje.</p> <p>Póngase en contacto con el Servicio de Atención al Cliente de ROLAIR para obtener asistencia.</p> <div style="border: 1px solid black; border-radius: 10px; padding: 5px; margin-top: 10px;"> <p> PELIGRO: No desmonte la válvula de retención teniendo aire en el tanque; vacíe el tanque.</p> </div>
Humedad excesiva en el aire de descarga	<p>Cantidad excesiva de agua en el tanque de aire.</p> <p>Alta humedad.</p>	<p>Drene el tanque.</p> <p>Lleve la unidad a un lugar de menor humedad; use un filtro de aire en línea.</p>
El compresor funciona continuamente	<p>Válvula de drenaje del tanque o válvula de inflado abiertas.</p> <p>Interruptor de presión defectuoso.</p> <p>Uso excesivo de aire.</p>	<p>Asegúrese de que la válvula de drenaje del tanque y la válvula de inflado estén cerradas.</p> <p>Lleve el compresor a un centro de servicio.</p> <p>Disminuya el consumo de aire; el compresor no tiene la suficiente capacidad para las necesidades de la herramienta.</p>
El compresor vibra	<p>Afloje los pernos de montaje.</p>	<p>Apriete los pernos de montaje.</p>
Producción de aire más baja de lo normal	<p>Válvulas de entrada descompuestas.</p> <p>Hay conexiones con fugas.</p>	<p>Póngase en contacto con el Servicio de Atención al Cliente de ROLAIR para obtener asistencia.</p> <p>Aplicar la cinta selladora de roscas para ajustar y tensar.</p>

LISTA DE PIEZAS DE REPUESTO (continúa)

DIAGRAMA DE LAS PIEZAS – COMPRESOR DE AIRE



LISTA DE PIEZAS DE REPUESTO (continúa)

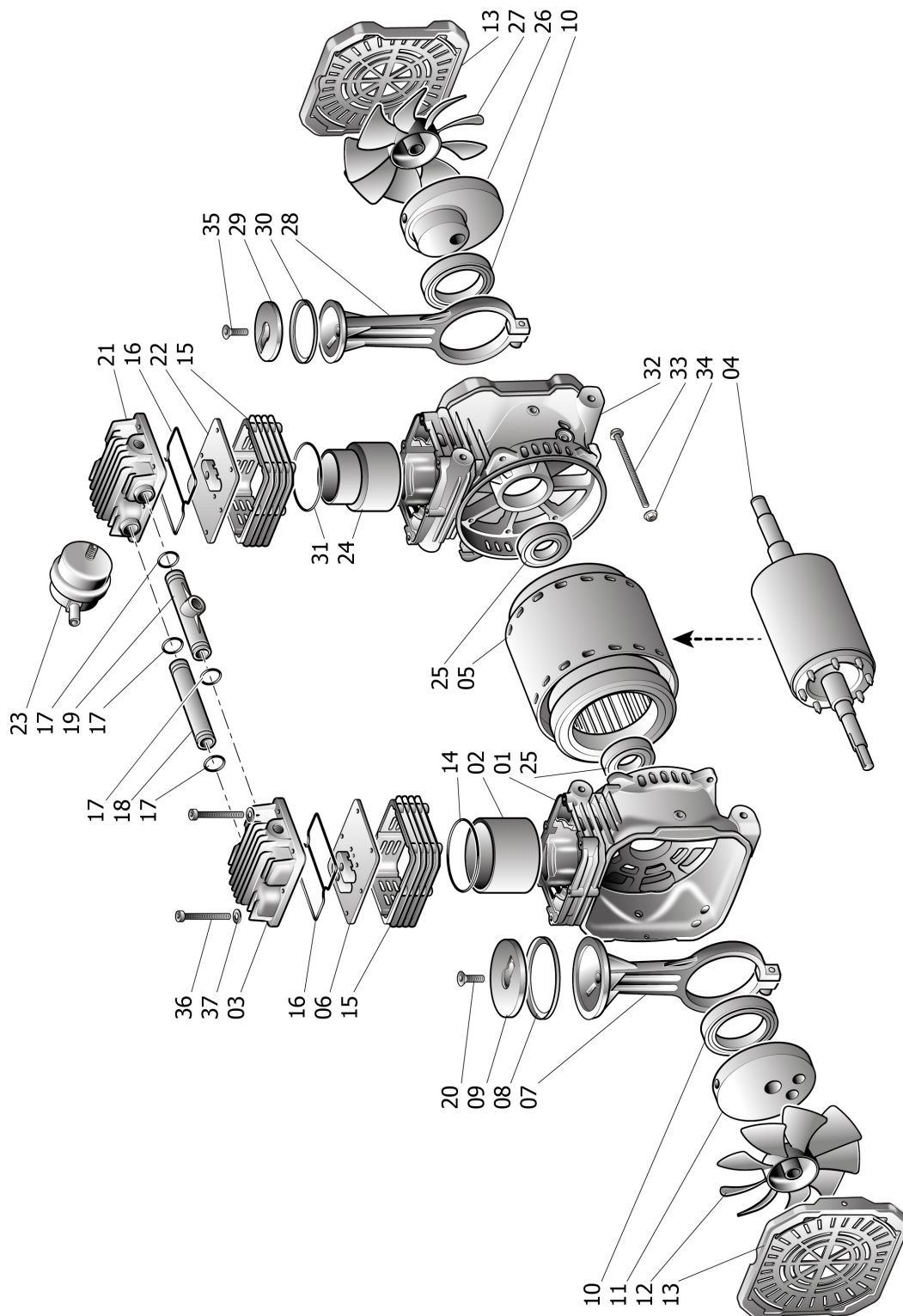
LISTA DE PIEZAS - COMPRESOR DE AIRE - N. DE MODELO FCOL22LS6

El número de modelo se encuentra en una placa adherida al tanque de aire. Siempre mencione el número del modelo en toda correspondencia relacionada con el **COMPRESOR DE AIRE** o al hacer pedidos de piezas de repuesto.

N° de schéma #	Pièce #	Description	Qty.
023	FCB280100	FILTRO AIRE	1
049	FC9069385	TAPA DE CABEZAL DE PLÁSTICO	1
080	FC9067059	CONDENSADOR	1
101	FC9413843215	DEPÓSITO DE AIRE CON BASTIDOR Y MANGO	1
102	FC9415668	RUEDA	2
103	FCB_SST108	PIE DE GOMA	2
104	FC9083743021	MANILLA	1
105	FC9048147	VÁLVULA DE REGULACIÓN	1
106	FC9047061	ACOPLADOR RÁPIDO	2
107	FC9047091	VACIADO DE DEPÓSITO VÁLVULA DE BOLA	1
108	FC9050798	DISTRIBUIDOR	1
109	FC9052282	MANÓMETRO 2"	1
110	FCB_N022549	VÁLVULA DE SEGURIDAD	1
111	FC9104024	TORNILLO M5 x 1.25 x 16 mm	4
112	FC9054020	TAPÓN	2
113	FC9052270	MANÓMETRO 2"	1
114	FC9011084	PERNO DEL EJE	2
115	FC9122362	TUERCA M10	2
116	FC9038352	TAPÓN DE LA MANILLA	2
117	FC9038599	MANILLA DE GOMA	3
119	FCB_A16379	INSERTO DE LA MANILLA	2
120	FC9083428	BOTÓN DE PARADA PARA MANILLA	2
121	FC9069380	INSERTE EL RETÉN	2
122	FC9104139	TORNILLO M6 x 1.25 x 12 mm	4
123	FC127QC0181	RACOR DE LENGÜETA	1
124	FC9050797	RACOR RECTO	1
127	FC9270046	TUBO DE NYLON MÉTRICO	0,2 m
128	FC9270051	TUBO	0,25 m
129	FCN012530	TAPA DEL CONDENSADOR	1
130	FCB_D28104	TORNILLO 1/4" x 1/2"	2
131	FC9063317	PRESÓSTATO	1
132	FC4100188	CABLE CON ENCHUFE	1
138	FCB_A20009	ABRAZADERA DE MANGUERA	2
140	FC9050702	CODO 1/4"	1
141	FC9004008	ARANDELA 8,5 x 30 x 5	4
142	FC9101777	PERNO PRISIONERO M8 x 16	4
143	FC9122463	TUERCA DE BLOQUEO M8	4
145	FC9043908	TUBO DE DESCARGA	1
200	FCB2A0061	CONJUNTO MOTOR/BOMBA COMPLETO	1
431	FC9083747021	PANEL	1

LISTA DE PIEZAS DE REPUESTO (continúa)

DIAGRAMA DE LAS PIEZAS – BOMBA



LISTA DE PIEZAS DE REPUESTO

LISTA DE PIEZAS DE LA BOMBA DE DOS ETAPAS

Mencionar siempre el número de modelo cuando se hace un pedido de piezas de repuesto.

N° de schéma #	Pièce #	Description	Qté
01	FCB260504	CÁRTER (Baja presión)	1
02	FCB230100	BARRIL CILINDRO (Baja presión)	1
03	FCB260102	CABEZA (Baja presión)	1
04	FC9067766	ROTOR/EJE	1
05	FC9067765	ESTATOR	1
06	FC9417998	CONJUNTO DE PLACA DE VÁLVULAS (Baja presión)	1
07	FCB210101	BIELA (Baja presión)	1
08	FC9040054	ANILLO DEL PISTÓN (Baja presión)	1
09	FCB260301	TAPÓN BIELA (Baja presión)	1
10	FC9170138	RODAMIENTO 61909	2
11	FCB260403	CONTRAPESO (Baja presión)	1
12	FC9069360	VENTILADOR Q2 2ST (IZQUIERDA)	1
13	FC9069362	PROTECTOR DE VENTILADOR	2
14	FC9417873	JUNTA PLACA VÁLVULA (Baja presión)	1
15	FCB260200	CILINDRO DEL DISTANCIADOR	2
16	FCB250100	JUNTA CABEZAL	2
17	FC9417871	JUNTA TÓRICA 3056	8
18	FC9050765	TUBO DE CONEXIÓN DEL CABEZAL	1
19	FC9050766	TUBO DE CONEXIÓN DEL CABEZAL EN "T"	1
20	FC9103287	TORNILLO TSEI M8 x 25	1
21	FCB260103	CABEZA (Alta presión)	1
22	FC9417999	CONJUNTO DE PLACA DE VÁLVULAS (Alta presión)	1
23	FCB280100	FILTRO AIRE	1
24	FC9418048	KIT BARRIL / ASIENTO CILINDRO (Alta presión).....	1
25	FC9170144	RODAMIENTO 6204	2
26	FCB260400	CONTRAPESO (Alta presión).....	1
27	FC9069361	VENTILADOR (DERECHA)	1
28	FCB210100	BIELA (Alta presión)	1
29	FCB260300	TAPÓN BIELA (Alta presión)	1
30	FC9040053	ANILLO DEL PISTÓN (Alta presión)	1
31	FC9417872	JUNTA PLACA VÁLVULA (Alta presión)	1
32	FCB260500	CÁRTER (Alta presión)	1
33	FC9101601	TORNILLO TCEI M5 x 135	4
34	FC9416606	FLANGE NUT M5.8	4
35	FC9103284	TORNILLO TSEI M6 x 20	1
36	FC#014011043	TORNILLO TCEI M6 x 70	12
37	FC#014008008	ARANDELA DE RESORTE D6.1 x 1.6	12

A series of horizontal dotted lines for writing.

A series of horizontal dotted lines spanning the width of the page, providing a guide for handwriting practice.



Garantía

Associate Engineering Corporation garantiza que todas las compresoras ROLAIR estarán libres de defectos de material y mano de obra durante un periodo de 12 meses a partir de la fecha de la compra original al minorista, o 18 meses a partir de la fecha de fabricación, lo que ocurra primero.

Cuando se informe cualquier inconformidad del producto con esta garantía dentro del periodo mencionado, la empresa corregirá dicha inconformidad mediante la reparación correspondiente o, a su propia discreción, mediante una parte de reemplazo con cotización F.O.B. en nuestra fábrica, después de que el comprador haya enviado la compresora a nuestra planta con flete prepago.

Associate Engineering Corporation no será responsable de las reparaciones, reemplazos y ajustes de la compresora que no hayan sido autorizados, ni de los costos de mano de obra realizada por el comprador.

Esta garantía sustituye expresamente todas las demás garantías expresas, implícitas o legales (lo que incluye, entre otras, las garantías de comerciabilidad y de idoneidad para un fin específico) y todas las demás obligaciones y/o responsabilidades por parte de Associate Engineering Corporation. Associate Engineering Corporation tampoco asume, ni autoriza a otras personas para que asuman en su nombre, cualquier otra obligación o responsabilidad relacionada con cualquier compresora.

Associate Engineering Corporation no será responsable, en ningún caso, de los daños consecuentes, incidentales o especiales ni de la selección incorrecta de cualquier compresora para una aplicación específica.

Calidad

Associate Engineering Corporation está comprometida con el control de calidad continuo y la investigación exhaustiva de los productos que fabricamos. Nuestro propósito es brindarle a usted, el usuario, toda la experiencia e ingeniería disponible en la producción de cada pieza de equipo que producimos.

Nuestra línea cubre todas las necesidades del variado uso de aire de la actualidad. Confíe en ROLAIR para obtener las mejores y más recientes funciones que están disponibles en las compresoras modernas.

