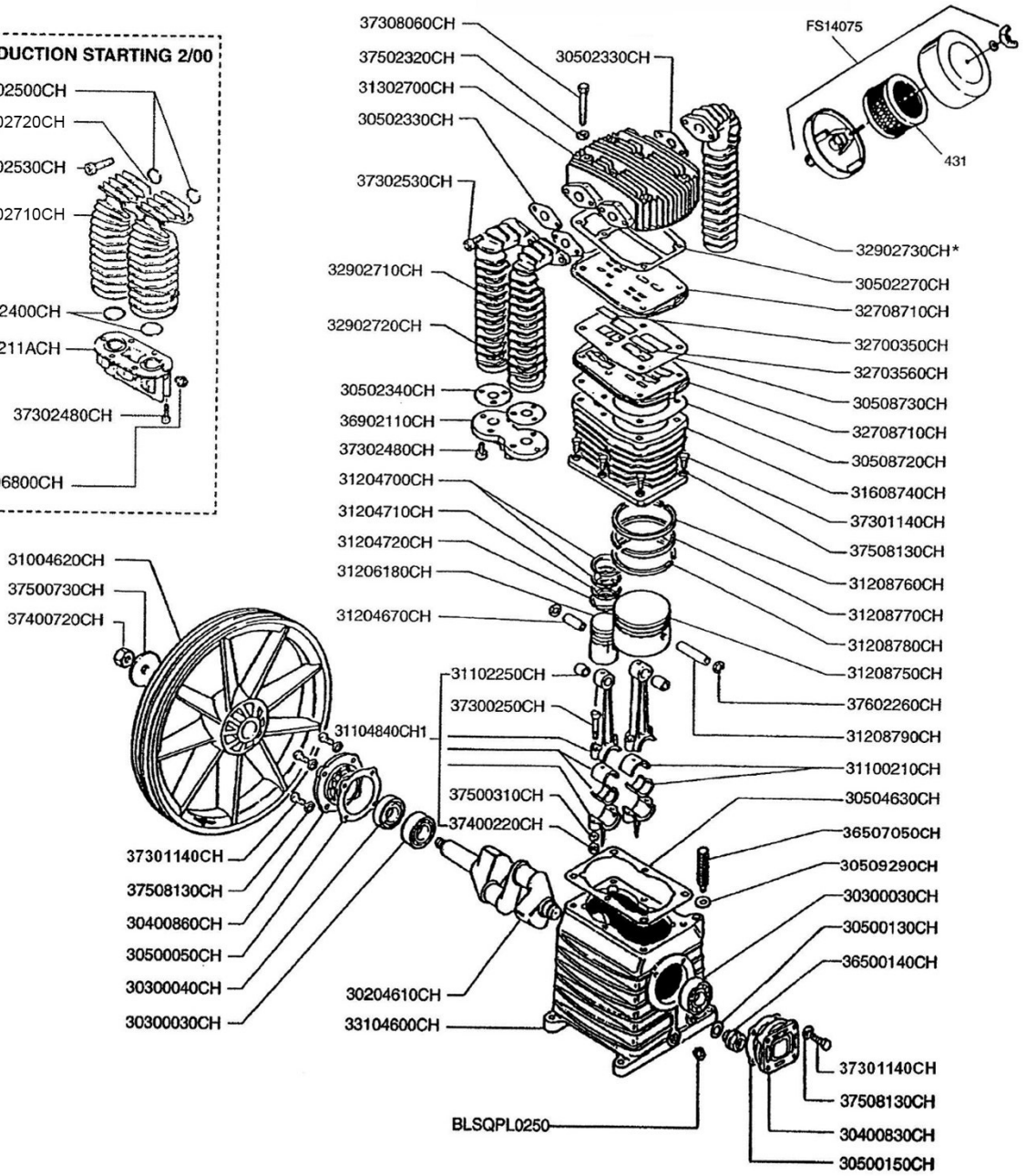
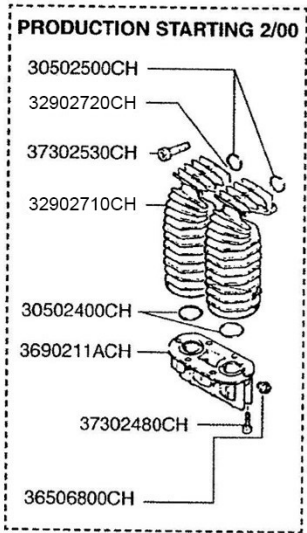
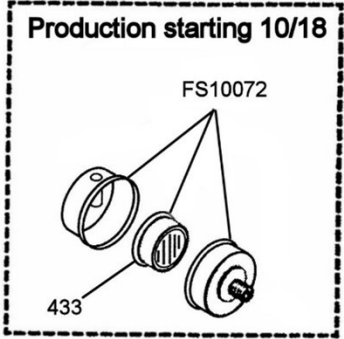
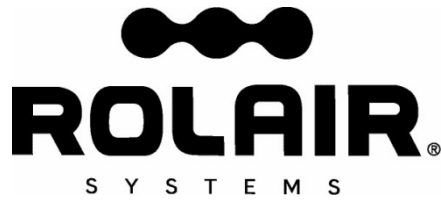


# ROLAIR®

SCHEMATIC FOR  
PMP22K28



\*Aftercooler Optional



## PARTS LIST FOR PMP22K28

Description	Part #	Qty.	Description	Part #	Qty.
Crankshaft	30204610CH	1	Crankcase	33104600CH	1
Bearing	30300030CH	2	Sight Gauge (Includes 30500130CH Gasket)	36500140CH	1
Oil Seal	30300040CH	1	3/8" Breather/Oil Fill Plug (Includes 30509290CH)	36507050CH	1
Bearing Carrier	30400830CH	1			
Bearing Carrier	30400860CH	1	Connector	3690211ACH	1
Gasket	30500050CH	1	Bolt	37300250CH	4
Gasket	30500130CH	1	Bolt	37301140CH	14
Gasket	30500150CH	1	Bolt	37302480CH	6
O-Ring	30509290CH	1	Bolt	37302530CH	6
Gasket	30502270CH	1	Bolt	37308060CH	6
Gasket	30502330CH	3	Nut	37400220CH	4
Gasket	30502340CH	2	Nut	37400720CH	1
Gasket	30504630CH	1	Washer	37500310CH	4
Gasket	30508720CH	1	Washer	37500730CH	1
Gasket	30508730CH	1	Washer	37508130CH	14
Flywheel	31004620CH	1	Snap Ring	37602260CH	4
Bearing Shell	31100210CH	2	Plug	BLSQL0250	1
Bushing*	31102250CH	2	Intake Filter Assembly (before 10/18)	FS14075	1
Connecting Rod Assembly	31104840CH1	2			
Piston Pin - HP	31204670CH	1	Intake Filter Assembly (after 10/18)	FS10072	1
Ring - HP	31204700CH	2			
Ring - HP	31204710CH	1	Filter Element for FS14075	431	1
Ring - HP	31204720CH	1	Filter Element for FS10072	433	1
Piston - HP	31206180CH	1	Ring Set	K28RINGS	1
Piston - LP	31208750CH	1	Gasket Set	K28GASKETS	1
Ring - LP	31208760CH	1	Valve Plate Assembly (Reed Valves, Valve Plates & Upper 3 Gaskets)	2800VK28	1
Ring - LP	31208770CH	1			
Ring - LP	31208780CH	1	Valve Kit (Reed Valves & Upper 3 Gaskets)	VKK28	1
Piston Pin - LP	31208790CH	1	<b>INTERCOOLER/AFTERCOOLER PARTS STARTING</b>		
Head	31302700CH	1	<b>12/99</b>		
Cylinder	31608740CH	1	O-Ring - Connector	30502400CH	2
Valve - HP	32700350CH	2	Plug	36506800CH	1
Valve - LP	32703560CH	2	Connector	3690211ACH	1
Valve Plate	32708710CH	2	Bolt	37302480CH	6
Left Intercooler	32902710CH	1	Bolt	37302530CH	6
Right Intercooler	32902720CH	1	O-Ring - Head	30502500CH	2
Aftercooler**	32902730CH	1			

\*Bushing is not machined to fit piston pin if ordered separate from connecting rod.

\*\*Optional part, not normally included with standard pump

