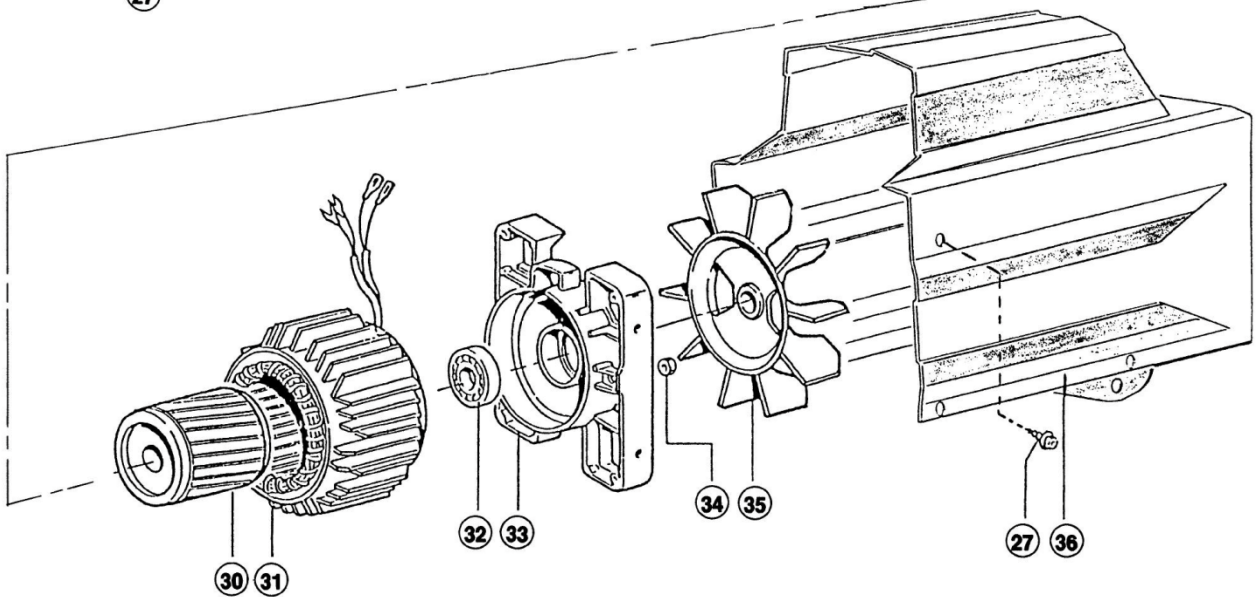
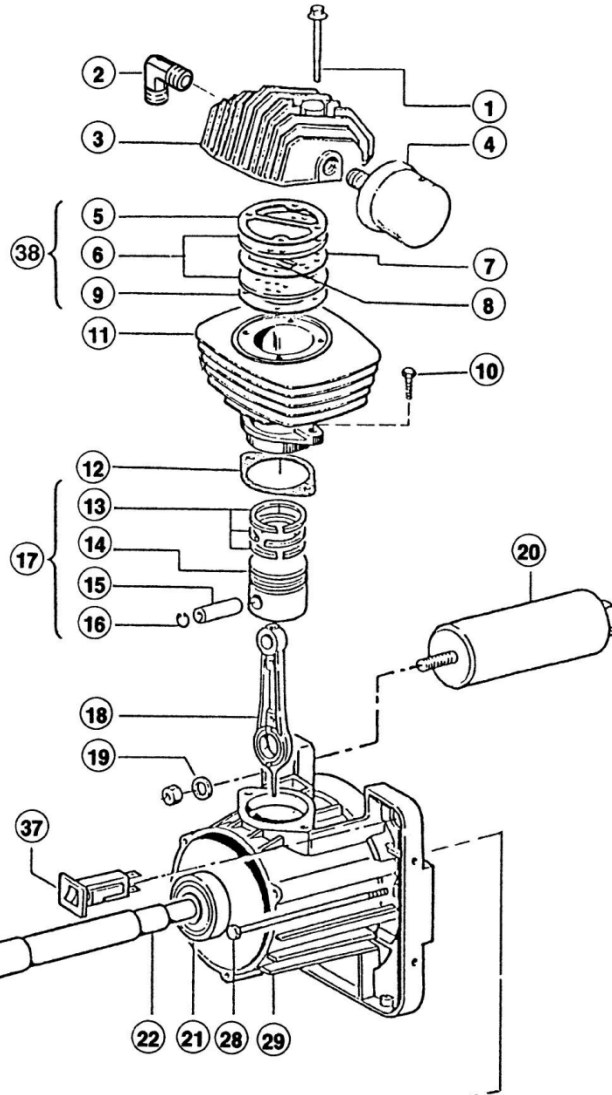
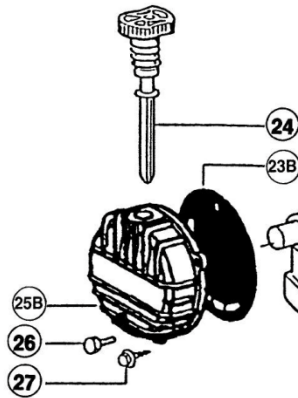
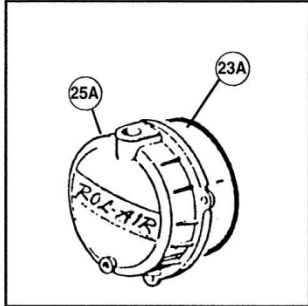


ROLAIR
SCHEMATIC FOR
PMP11MK200FISH





PARTS LIST FOR PMP11MK200FISH

Schematic #	Description	Part #	Qty.
1	Bolt	014002021F	4
2	Brass Elbow	BREL0500X037539	1
3	Head	116001001F	1
4	Intake Filter Assembly	317013000F	1
	Filter Element	317013004FE	1
5	Gasket	U1100	1
6	Valve Plate	U1103	2
7	Gasket	U1101	1
8	Valve	U1104	2
9	Gasket	U1102	1
10	Bolt	MIS10049	2
11	Cylinder	116032060F	1
12	Gasket	116022023F	1
13	Ring Set**	NLA	1
14	Piston**	NLA	1
15	Piston Pin	U1115	1
16	Snap Ring	U1116	2
17	Complete Piston/Connecting Rod Assembly (Includes Ref# 13, 14, 15, 16 & 18)	U1105	1
18	Connecting Rod	U1106	1
19	Washer	014005006F	1
20	Capacitor	U1107	1
21	Bearing	U1114	1
22	Crankshaft	116032006F	1
23A	O-Ring	010013000F	1
23B	Diaphragm	116001025F	1
24	Dipstick	012035000F	1
25A	Crankcase Cover	116022006F	1
25B	Crankcase Cover*	NLA	1
26	Drain Plug	014013024F	1
27	Screw	014006121F	5
28	Bolt	116011038F	2
29	Motor Housing	116022051F	1
30	Rotor	116092003F	1
31	Stator	416092641F	1
32	Bearing	U1113	1
33	End Bell	U1108	1
34	Nut	014003002F	2
35	Fan	U1109	1
36	Shroud	U1112	1
37	Manual Reset Button	U1013	1
38	Valve Plate Assembly	116022100F	1
	Gasket Set	216032001F	1
	Valve Kit (Includes Ref#5,7,8,9)	VKMK246	1
Repair Kit Includes: Gasket Set, Ring Set, (2) Valves, Filter Element		MK200REPKITLVP	
Repair Kit Includes: Gasket Set, Ring Set, (2) Valve Plates, (2) Valves, Filter Element		MK200REPKITWVP	

*Use 116022006F cover and 116001025F diaphragm

**Order Ref#17, Part#U1105

