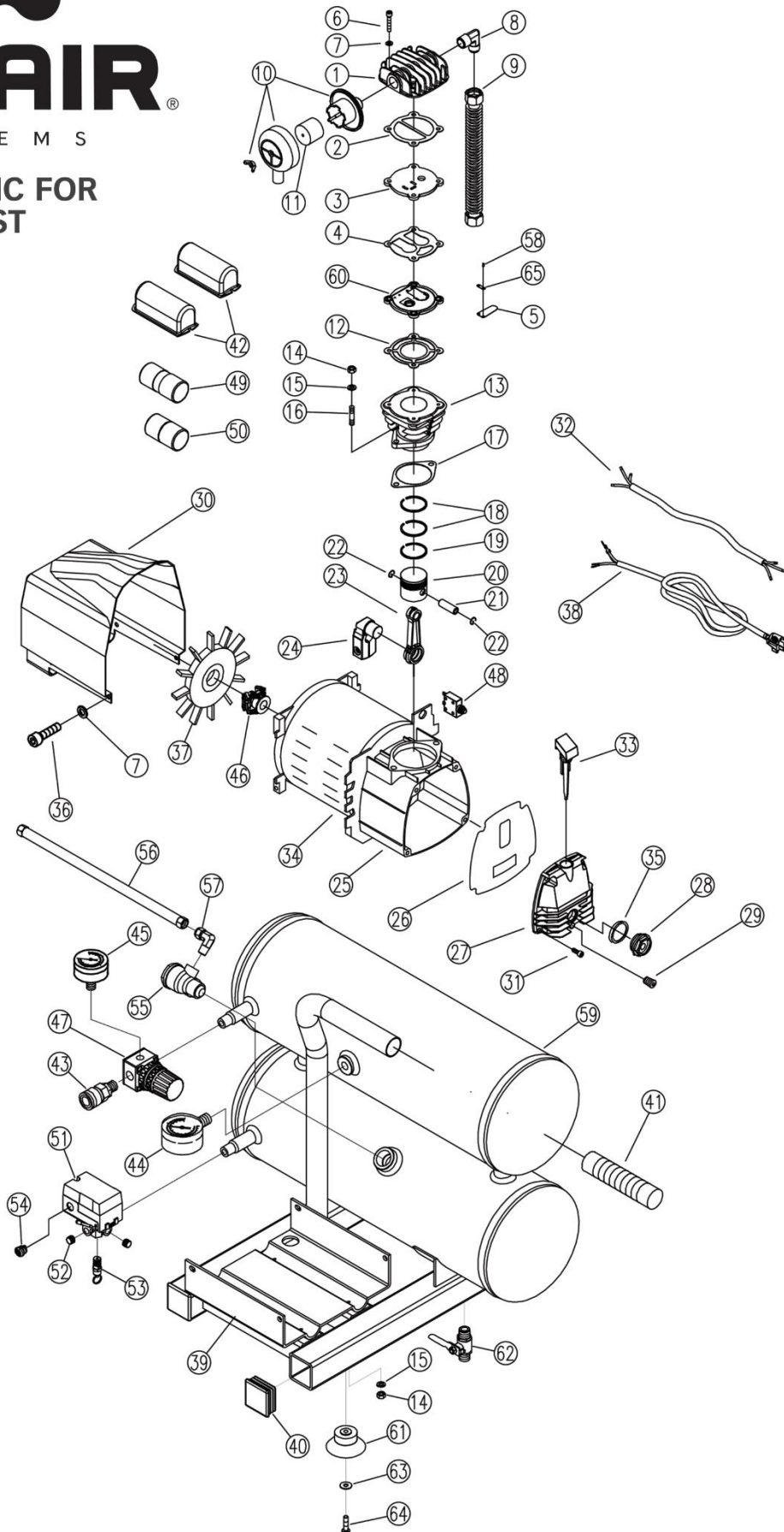
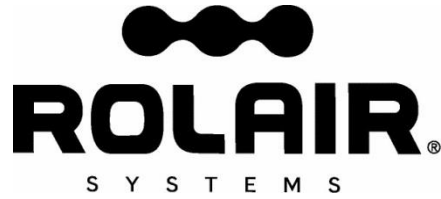


ROLAIR[®]

S Y S T E M S

SCHEMATIC FOR VT20ST





PARTS LIST FOR MODEL VT20ST

Schem. #	Description	Part #	Qty.	Schem. #	Description	Part #	Qty.
1	Head	VT101001	1	35	Gasket*	use VT321001	1
2	Gasket	VT211011	1	36	Bolt	VT352071	4
3	Valve Plate	VT104001	1	37	Fan	VT431012	1
4	Gasket	VT212004	1	38	Power Cord	VT452018	1
5	Reed Valve	VT125001	2	39	Base Plate	VT488051-06F	1
6	Bolt	VT352087	4	40	Plug	VT439012	4
7	Washer	MIS10098	8	41	Handle Grip	VT435002	1
8	Elbow	VT151404	1	42	Capacitor Cover	VT435002	2
9	Braided Discharge Tube	VT242060	1	43	Quick Coupler	VT447013	1
10	Intake Assembly	VT170006	1	44	Gauge - Tank	VT411049	1
11	Element	VT171002	1	45	Gauge - Regulator	VT411035	1
12	Gasket	VT213010	1	46	Centrifugal switch	VT459001	1
13	Cylinder	VT201017	1	47	Regulator	VT410030	1
14	Nut	VT371005	6	48	Motor Reset	VT458001	1
15	Washer	VT382005	6	49	Start Capacitor	CAPVTSN460008	1
16	Stud Bolt	VT358001	2	50	Run Capacitor	CAPVTRN462010	1
17	Gasket	VT214010	1	51	Pressure Switch	VT412024	1
18	Compression Ring	VT206003	2	52	Pipe Plug	VT360011	2
19	Oil Ring	VT207003	1	53	Safety Relief Valve	VT407009	1
20	Piston	VT203011	1	54	Box Connector	VT457002	2
21	Piston Pin	VT204003	1	55	Check Valve	VT409016	1
22	Snap Ring	VT205001	2	56	Tubing	VT240060	1
23	Connecting Rod	VT316001	1	57	Elbow	VT151001	1
24	Crankshaft	VT302001	1	58	Valve Pin	VT126001	4
25	Crankcase	VT301001	1	59	Tank Assembly	VT401196	N/A
26	Diaphragm	VT215001	1	60	Valve Plate	VT114001	1
27	Crankcase Cover	VT304012	1	61	Rubber Foot	VT434002	4
28	Oil Sight Gauge with Gasket	VT321001	1	62	Drain Valve	VT413008	1
29	Drain Bolt	VT360001	1	63	Washer	VT381021	4
30	Shroud	VT433001	1	64	Screw	VT353024	4
31	Bolt	VT352091	5	65	Valve Keeper	VT127001	2
32	Cord	VT453076	1		Valve Kit (Includes Ref#2, 4, 5, 12, 58, 65)	VKVT20	1
33	Crankcase Vent	VT324004	1		Gasket Set	VT20GASKETS	1
34	Complete Motor/Pump	PMP11VT20TB	1		Ring Set	VT20RINGS	1

* Gasket is not available separately but included with VT321001 sight glass.

