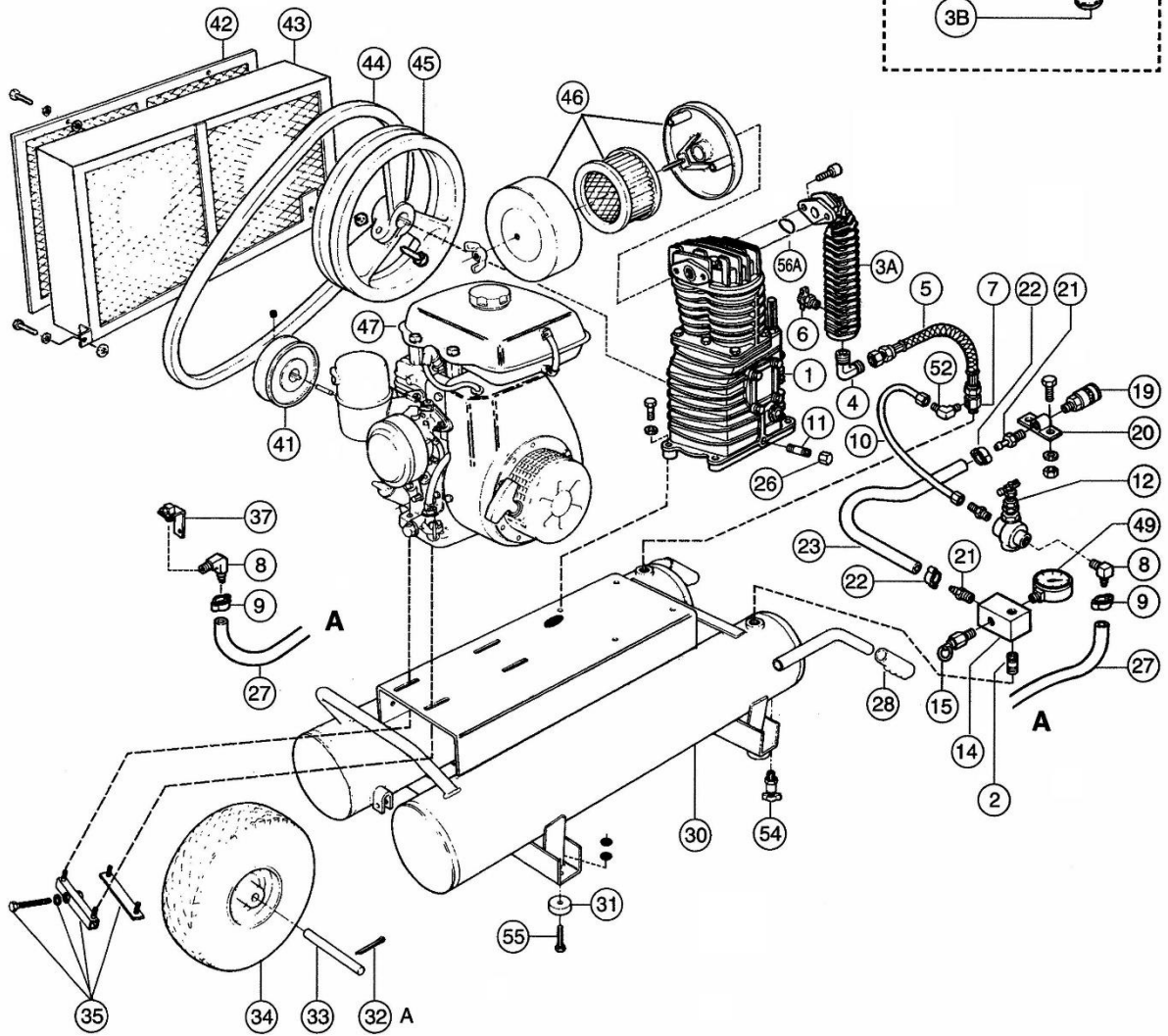
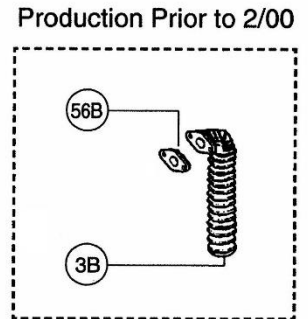
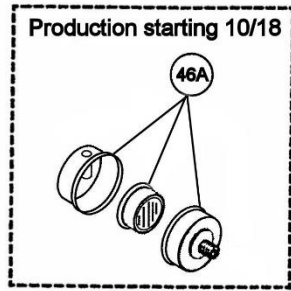
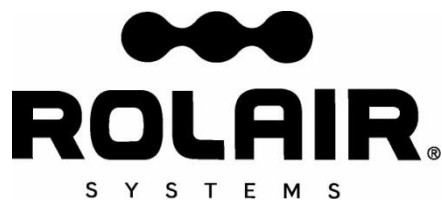


# ROLAIR®

**SCHEMATIC FOR MODELS**  
**1040K18                      2040K18**  
**1040HK18                  2040HK18**  
**1040RK18                  2040RK18**



2040K18 Model uses (2) WLS50



## PARTS LIST FOR MODELS

1040K18 2040K18  
 1040HK18 2040HK18  
 1040RK18 2040RK18

Schem #	Description	Part #	Qty.	Schem #	Description	Part #	Qty
1	Twin-Cylinder Pump with Flywheel	PMP12K18CH	1	34	Foam-Filled Flat-Free Tire	WLS50	1
	Twin-Cylinder Pump,less Flywheel	PMP12K18CHLF	1	35	Belt Tightener/Mounting Kit - 1040K18 & 2040K18	SBT8HPKO-ANGLE*	1
2	Nipple	BLNP0500X1500	1		1040HK18, 2040HK18, & 1040RK18, 2040RK18	SBT8HPHO&KAK17-ANGLE*	1
3A	Aftercooler	3290146ACH	1	37	Throttle Control Kit	Specify Engine	1
3B	Aftercooler	Use 3290146ACH	1	41	Pulley	PUAK49X1000	1
4	Brass Elbow	145D	1	42	Belt-Guard Cover	NLA	1
5	Discharge Tube	FDT9	1	43	Belt-Guard (Base & Cover)	BG9140ASY	1
6	Drain Valve	132	1	44	Belt	BT4L510/A49	1
7	Check Valve	CV4X4TA-A175	1	45	Flywheel	31007280CH	1
	Safety Valve (1/8")**	SRV0125A175	1	46	Intake Filter Assembly (before 10/18)	FS14050	1
8	Brass Elbow	BREL0250X0125H16	2		Filter Element for FS14050	431	1
9	Hose Clamp	177	2	46A	Intake Filter Assembly (after 10/18)	FS10052	1
10	1/4" Nylon Tubing – 14.4"	178D	1.2'		Filter Element for FS10052	433	
11	Nipple	BLNP0250X1500	1	47	Kohler Engine – Models 1040K18 & 2040K18	N.L.A.	
12	Pilot Unloader Valve	131B	1		Honda Engine –& Models 1040HK18 2040HK18	ENG09H01	1
14	Aluminum Block Manifold	154	1	Optional Engine Drain Extension for Above	HDE8	1	
15	Safety Relief Valve	SRV0250A165	1	Robin Engine – Models 1040RK18 & 2040RK18	N.L.A.		
19	Quick Disconnect	309A	1	49	Gauge	GA0250200GC	1
20	Accessory Bracket	210	1	52	Brass Elbow	BREL0250X012539	1
21	Brass Coupler	BRCP0375X0375- H12	2	54	Drain Valve	132BV	2
22	Hose Clamp	177A	2	55	Screw	MIS10008	4
23	3/8" Rubber Hose – 16"	178A	1.34'	56A	O-Ring	30502510CH	1
26	Cap	BLCA0250	1	56B	Gasket	30501490CH	1
27	1/4" Rubber Hose – 36"	178	3'				
28	Handle Grip	328	2				
30	Twin-Tank Assembly	Specify Model	1				
31	Rubber Foot	219	4				
32	Cotter Pin - 2040 Models	181B	2				
32A	Cotter Pin - 1040 Models	181A	2				
33	Axle for 1040K18, 1040HK18, & 1040KK18 Models	181	1				

As an added safety measure, belt driven models built after July 1, 2015 include additional safety valve on check valve.

\*For units built prior to February 2005, order SBT8HP-SQUARE or SBT8HPHO&KA17-SQUARE respectively.

\*\*Safety valve not shown but may be ordered separately.

