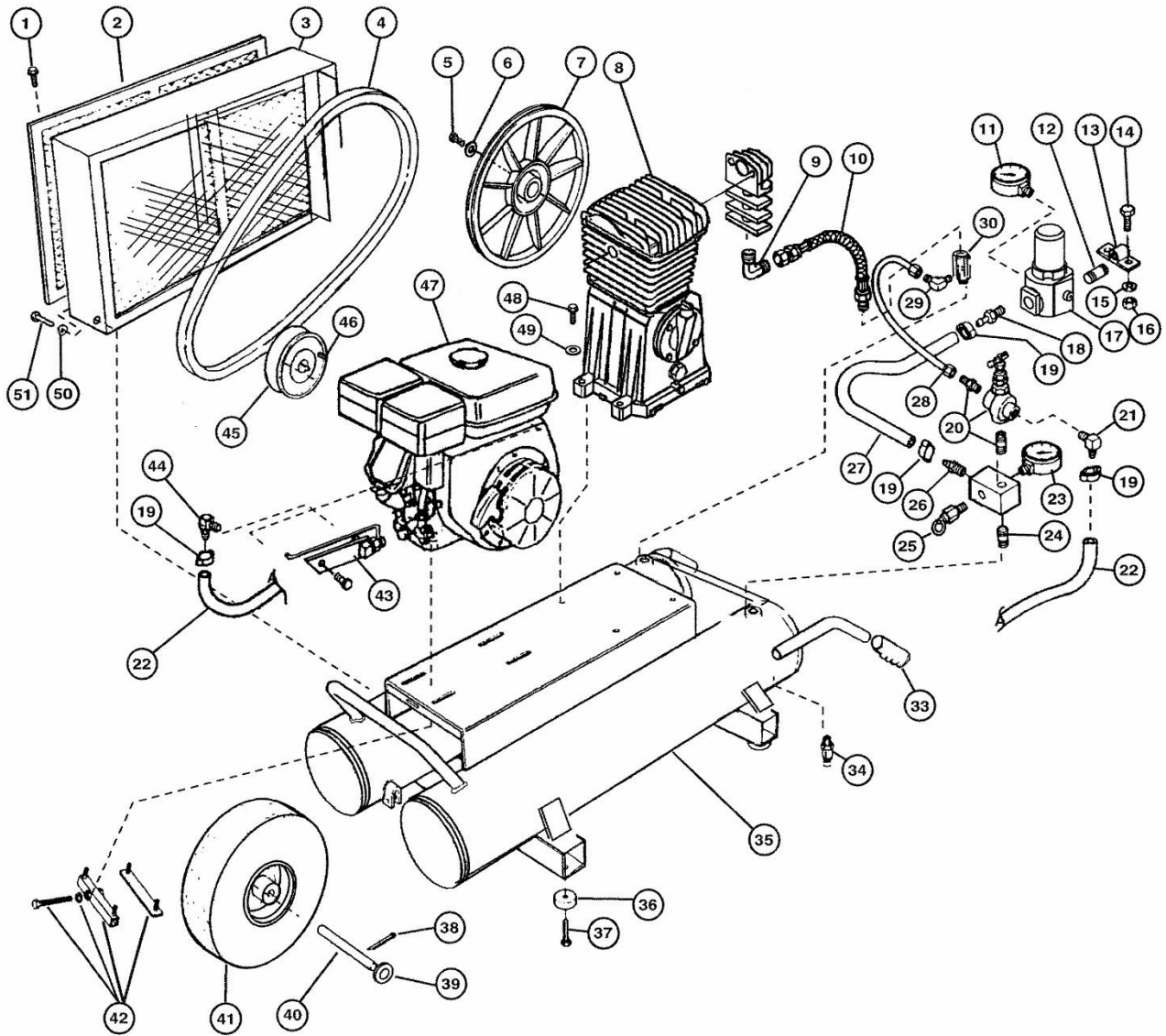
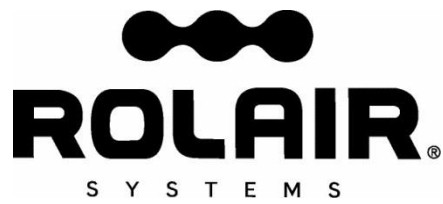


**ROLAIR**  
SCHEMATIC FOR  
4090HMK103





## PARTS LIST FOR MODELS 4090HMK103

Schem #	Description	Part #	Qty.	Schem #	Description	Part #	Qty.
1	Bolt	MIS10094	5	27	3/8" Rubber Hose - 16"	178A	1.34'
2	Belt-Guard Cover	NLA	1	28	1/4" Nylon Tubing - 14"	178D	1.2'
3	Belt-Guard (Base & Cover)	BG9140ASY	1		Brass Nut	BRNT0250	2
4	Belt	BT4L510/A49	1		Brass Ring	BRRG0250	2
5	Bolt - Left-Hand Thread (MK103H5-9P)	FC014001053	1		Brass Sleeve	BRSL0250	2
	Bolt - Left-Hand Thread (MK113H5-9P, MK113H6.5-9P)	FC114001043	1	29	Brass Elbow	BREL0250X012539	1
6	Washer	FC014005001	1	30	Check Valve	CV4X4TA-A175	1
				33	Handle Grip	328	2
6	Washer	FC014005001	1	34	Drain Valve	132BV	2
7	Flywheel (MK103H5-9P)	FC013160010	1	35	Tank Assembly	TNKASY4090K17	1
	Flywheel (MK113H5-9P, MK113H6.5-9P)	FC013164011	1	36	Vibration Pad	219	4
8	Pump with Flywheel (MK103H5-9P)	PMP12MK103	1	37	Screw	MIS10008	4
	Pump with Flywheel (MK113H5-9P, MK113H6.5-9P)	PMP12MK113	1	38	Cotter Pin	181A	2
9	Elbow Brass	145D	1	39	Washer	MIS10104	6
				40	Axle	181	1
10	Braided Discharge Line	FDT15	1	41	Foam-Filled Flat-Free Tire	WLS50	1
11	Gauge	GA0250200GC	1	42	Belt-Tensioner Kit	SBT5HP-ANGLE	1
12	Nipple	BLNP0375X1500	1	43	Throttle Control Kit	192EGX160K1QX	1
13	Accessory Bracket	210	1	44	Brass Coupler	BREL0250X0125H16	1
14	Bolt	MIS10022	2	45	Pulley (MK103H5-9P)	PUAK44X0750	1
15	Lock Washer	MIS10099	2		Pulley (MK113H5-9P, MK113H6.5-9P)	PUAK49X0750	1
16	Nut	MIS10020	2	46	Key	MIS10095C	1
17	Regulator	REG0375	1		47	Engine (MK103H5-9P, MK113H5-9P)	ENG05H01
18	Brass Coupler	BRCP0375X0375H12	1	48	Engine (MK113H6.5-9P)	ENG06H01	1
19	Clamp	177A	3		48	Bolt (MK103H5-9P)	MIS10032
20	Pilot Unloader Valve	131B	1	49	Bolt (MK113H5-9P, MK113H6.5-9P)	MIS10027	4
21	Brass Elbow	BREL0250X0125H16	1		49	Washer	MIS10099
22	1/4" Rubber Hose - 36"	178	3'	50	Washer	MIS10108	2
23	Gauge	GA0250200GC	1	51	Bolt	MIS10022	2
24	Nipple	BLNP0500X1500	1				
25	Safety Relief Valve	SRV0250A165	1				
26	Brass Coupler	BRCP0375X0375H12	1				

\* As an additional safety measure, twin-tank gas models built after July 1, 2015 include additional safety valve on check valve.

