

INSTRUCTION MANUAL

MANUAL DE INSTRUCCIONES ESPAÑÓLES – PÁGINA 17

MODEL: 8422HK30

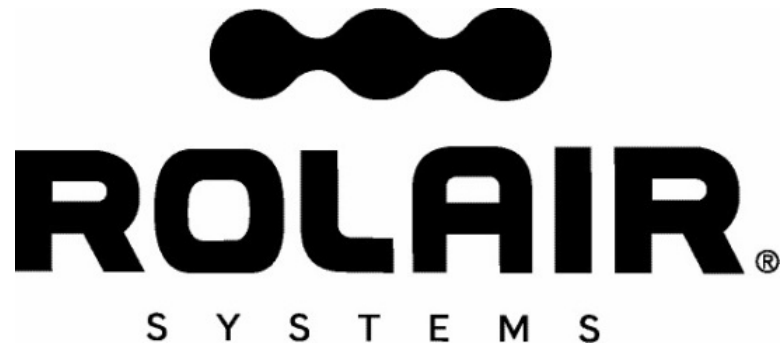
SERIAL NUMBER: _____

Thank you for purchasing a ROLAIR!

If after reading this manual you have any questions whatsoever on the proper installation, operation, or maintenance of your air compressor please feel free to contact our Customer Service Department at 1-800-310-3573.

We would love to hear from you!





PORTABLE AIR COMPRESSOR OWNER'S MANUAL

PARTS

Genuine ROLAIR replacement parts are sold nationwide through a network of authorized dealers and service centers. Please contact the dealership where your air compressor was purchased or our factory Customer Service Department if you need help troubleshooting, obtaining parts, or locating an authorized ROLAIR service representative.

To order replacement parts:

1. Give compressor model number
2. Give compressor serial number
3. Name of part
4. Part number
5. Quantity required

RECORD OF PERTINENT INFORMATION

Make a permanent record of the model and serial number of your new air compressor here. You'll save time and expense by including this reference information when requesting service or replacement parts.

Place & Date of Purchase		Volts
Model		HZ
Serial #		HP

With the tank gauge at 0 PSI and air line(s) disconnected, close drain valve(s) and record the amount of time it takes to build tank pressure on the space provided. Periodically test your air compressor against this pump-up time to determine if it is operating correctly. If time test is considerably off, contact your local ROLAIR representative to arrange service.

From 0 to _____ *PSI		
Date	Min	Sec

From 0 to _____ *PSI		
Date	Min	Sec



TABLE OF CONTENTS

Introduction and Definitions of Safety Warnings	2
Safety Warnings	3-7
Identification of System Controls	8-9
Pre-Start Checklist	10
Operation	11-12
Maintenance	12-14
Troubleshooting	15
Guarantee	16

INTRODUCTION


Congratulations on the purchase of your new ROLAIR air compressor!


With over 50 years experience building ROLAIR air compressors specifically designed for the professional, Associate Engineering Corporation has earned a reputation for providing a product unsurpassed in quality and reliability. We are committed to continuing this tradition by analyzing and adapting to the changing needs and rigorous demands of your industry. You can depend on ROLAIR because they are built to last.


This manual was compiled for the benefit of the operator. Do not use or allow anyone else to use your air compressor until this manual is read and all safety/operating instructions are understood. By reading and following the instructions contained in this manual, you can achieve years of trouble-free service from your new air compressor. If you have any additional safety or operating questions after reading this manual, please contact your distributor or our customer service department. Do not remove or paint over any of the warning decals attached to the compressor. If any warning decal is missing or unable to be read, discontinue use and contact us for a free replacement (1-800-310-3573).

Definitions – Safety Warnings

Safety symbols are used throughout this manual to alert you to imminently hazardous and potentially hazardous situations. The following definitions describe the level of severity for each signal word.

 **DANGER:** Indicates an imminently hazardous situation which, if not avoided, WILL result in death or serious injury.

 **WARNING:** Indicates a potentially hazardous situation which, if not avoided, COULD result in death or serious injury.

 **CAUTION:** Indicates a potentially hazardous situation which, if not avoided, MAY result in minor or moderate injury or damage to the air compressor, or other property.

⚠️ WARNING: Do not start, operate, or service this machine until you read and fully understand owner’s manual. Failure to do so could result in death or serious injury. If you have any questions, call us toll free at 1-800-310-3573.

⚠️ WARNING: CONTAINS LEAD. May be harmful if eaten or chewed. May generate dust containing lead. Wash hands after use. Keep out of reach of children.

⚠️ WARNING: This product can expose you to chemicals including lead, which is known to the State of California to cause cancer and birth defects or other reproductive harm. For more information go to www.P65Warnings.ca.gov.

SAVE THESE INSTRUCTIONS!



⚠️ DANGER: RISK OF EXPLOSION OR FIRE

WHAT CAN HAPPEN

HOW TO AVOID IT

<ul style="list-style-type: none"> Electrical components within the motor and pressure switch will spark. This is normal. If electrical sparks from the compressor come into contact with flammable vapors, they may ignite, causing fire or explosion. Inadequate ventilation, or restrictions to any of the compressor’s ventilation openings, will cause serious overheating and could cause a fire. 	<ul style="list-style-type: none"> Always operate the compressor in a well-ventilated area away from any flammable vapors, liquid, paint, gasoline, or any other combustible material. Always locate compressor at least 20 ft. (6.1m) away from work area if spraying flammable materials. Store flammable materials in a secure location away from the compressor. Never place objects against or on top of an air compressor. Always operate air compressor at least 18” away from any wall or obstruction. Always operate in a clean, dry, and well-ventilated area.
<ul style="list-style-type: none"> Unattended compressors with leaks in the unit or air system could start unexpectedly and repeatedly and could result in overheating, fire, and personal injury or property damage. A fire can occur if spilled gas or vapors come into contact with hot engine parts, lit cigarettes, or other sources of ignition. 	<ul style="list-style-type: none"> Always remain in attendance with the compressor when it is operating. Always turn off and unplug the compressor when it is not in use. Never attempt to fill the gas tank while the engine is hot or running. Add fuel outdoors and in a well-ventilated area. Do not fill gas tank near lit cigarettes or near other sources of ignition.



⚠️ DANGER: RISK TO BREATHING (ASPHYXIATION)

WHAT CAN HAPPEN

HOW TO AVOID IT

<ul style="list-style-type: none"> Air from your compressor is not safe for breathing and may contain carbon monoxide, toxic vapors, or solid particles. Serious injury or death may occur from inhaling the compressed air from your air compressor. Sprayed materials such as paint, stucco, insecticides, solvents, etc. may contain harmful vapors and poisons. 	<ul style="list-style-type: none"> Never inhale compressed air directly from the pump, tank, receiver, or breathing device connected to the air compressor. The compressor is not equipped with suitable filters and in-line safety equipment for human consumption. Do not use discharge air for breathing. Operate compressor and perform work only in a well-ventilated area. Read and follow the safety instructions provided on the label or safety data sheets for the materials you are spraying. Always use certified safety equipment designed for your specific application.
<ul style="list-style-type: none"> For gas-powered compressors, engine exhaust fumes contain poisonous carbon monoxide which is odorless and colorless. Inhaling those fumes could lead to serious injury or death. 	<ul style="list-style-type: none"> Operate compressors only in well-ventilated areas. Avoid inhaling engine exhaust fumes, and never run a small gas-powered engine in a closed building or confined area without adequate ventilation.



⚠️ WARNING: RISK OF BURSTING

AIR TANK: Air tanks do not have an infinite life and should be inspected once every year to ensure they are still safe for use. To find your state pressure vessels inspector, look under the Division of Labor and Industries in the government section of a phone book or call us toll-free at 1-800-310-3573 for assistance.

The following conditions could lead to a weakening of the air tank, and result in a violent air tank explosion:

WHAT CAN HAPPEN	HOW TO AVOID IT
<ul style="list-style-type: none"> Failure to properly and regularly drain condensed water from the air tanks will lead to rust and thinning of the steel air tank can lead to a violent air tank explosion. Modifications, alterations, or attempted repairs made to the air tank can lead to a violent air tank explosion. 	<ul style="list-style-type: none"> Drain tanks daily or after every 4 hours of use. If a tank develops a leak, replace it immediately with a new air tank, or new complete compressor. Never drill into, dent, weld, patch, or modify the air tank, or its attachments in any way. If you are in possession of a tank in which it appears any of those conditions exist or were attempted, discontinue use and replace air tank immediately. Never attempt to repair a damaged or leaking air tank. Replace with a new tank immediately.
<ul style="list-style-type: none"> Unauthorized modifications to the safety valve, pressure switch, pilot unloader valve, or any other component which controls air tank pressure can lead to a violent air tank explosion. 	<ul style="list-style-type: none"> The air compressor is designed to safely operate and withstand specific factory set pressure. Never make adjustments or parts substitutions to components that control air tank pressure or factory set operating pressures. Do not make alterations to the factory operating pressure settings. Before starting, and with air tank pressure at zero, pull the ring on the safety valve to make sure it moves freely. Never operate without a factory approved safety valve.

Attachments & Accessories:

<ul style="list-style-type: none"> Exceeding the pressure rating of air tools, spray guns, accessories, tires, or any other inflatables can cause them to explode or fly apart. 	<ul style="list-style-type: none"> Do not use air tools or attachments before reading the owner's manual to determine the safe maximum pressure rating. Never exceed the manufacturer's maximum allowable pressure ratings. Never use the compressor to inflate small low pressure objects such as children's toys, balls, etc.
--	--



⚠️ DANGER: RISK OF INJURY OR PROPERTY DAMAGE WHEN TRANSPORTING OR STORING

WHAT CAN HAPPEN	HOW TO AVOID IT
<ul style="list-style-type: none"> Oil from the compressor can leak or spill and could result in fire or breathing hazard; serious injury or death can result. Oil leaks will damage carpets, paint, or any other surfaces. 	<ul style="list-style-type: none"> Always keep compressor level and never lay on its side. When transporting, always place compressor on a protective mat to prevent against damage from leaks. Always remove compressor from vehicle immediately upon arrival at your destination. If an oil leak is found, follow all local safety codes for cleanup of hazardous materials.



⚠ WARNING: RISK OF ELECTRICAL SHOCK

WHAT CAN HAPPEN

HOW TO AVOID IT

- **Electrical Grounding:** Failure to provide adequate grounding to the compressor could result in serious injury or death from electrocution.
- Your air compressor is powered by electricity. Like any electrically powered device, if it is not used properly it may cause electric shock.

- Always make certain that the electrical circuit to which the compressor is connected provides proper electrical grounding, correct voltage, and adequate fuse protection. If you are unsure, or have any questions about proper electrical grounding, correct voltage, or adequate fuse protection please call us toll-free at 800-310-3573.

- Serious injury or death can occur if repairs are attempted by unauthorized personnel.

- Never operate the compressor outdoors when it is raining, snowing, or in wet conditions.
- Never let your electrical cord lay in water.
- Never operate the compressor with a damaged power cord, or with protective covers damaged or removed.
- Never touch plug with wet hands.
- Never pull on electric cord to disconnect from the outlet.
- Any electrical repairs or wiring performed on this compressor should only be performed by ROLAIR authorized service personnel and in accordance with all national and local electrical codes.



⚠ WARNING: RISK FROM FLYING OBJECTS

WHAT CAN HAPPEN

HOW TO AVOID IT

- Serious injury and property damage can occur from loose debris being propelled at high speeds from the compressed air stream.

- Always wear certified safety equipment: ANSI Z87.1 eye protection (CAN/CSA Z94.3) with side shields when using the compressor.
- Never direct the air stream, nozzle, or sprayer towards any part of your body, other people, or animals.
- Always turn off the compressor and drain tank pressure completely before attempting maintenance or attaching air hose or tools.



⚠ WARNING: RISK OF HOT SURFACES

WHAT CAN HAPPEN

HOW TO AVOID IT

- Serious burn injuries can result from touching exposed metal parts such as the engine or motor, pump, or any part of the copper/braided discharge lines and components. These parts will become hot during operation and stay hot for an extended period of time even after the compressor is shut down.

- Never touch any of the exposed metal parts during operation and for an extended period of time after shut down.
- Do not reach around shrouds or attempt any maintenance until the unit has been allowed to completely cool.



⚠️ WARNING: RISK FROM MOVING PARTS

WHAT CAN HAPPEN

HOW TO AVOID IT

- Serious injury or death can occur if moving parts such as belts, flywheels, pulleys, or fans come into contact with you or your clothing.
- An electric air compressor can restart at any time when plugged in, and an unexpected startup can result in serious injury, death, or property damage.
- Attempting to operate the compressor with any damaged or missing parts, protective guards, shrouds, or covers will expose you to moving parts and can result in serious injury or death.

- Prior to operation, always make sure all protective guards and covers are in good condition, and never operate the compressor if any guard or cover has been removed or damaged.
- Always keep your hair, jewelry, clothing, and gloves away from moving parts as they can be caught.
- It is common for air vents to cover moving parts, so they should be avoided as well.
- Always unplug the compressor when not in use.
- Always drain air tank pressure completely before attempting any repairs or maintenance.
- Never allow children or adolescents to operate the air compressor.
- Any repairs to the air compressor must only be made by ROLAIR factory authorized personnel.



⚠️ WARNING: RISK FROM LIFTING

WHAT CAN HAPPEN

HOW TO AVOID IT

- Serious injury can result from attempting to lift an object that is too heavy.

- Always obtain assistance from others before attempting to lift any object that is too heavy for you.



⚠️ WARNING: RISK OF FALLING

WHAT CAN HAPPEN

HOW TO AVOID IT

- A compressor may vibrate and move during the course of normal operation resulting in a fall from a table, workbench, roof, or other platform causing damage to the compressor, property damage, and could result in serious injury or death to anyone nearby.

- Always operate air compressor in a stable and secure position to prevent accidental movement of the unit. Never operate compressor on a roof or other elevated position. Use air hose to reach high locations.



⚠️ WARNING: RISK FROM NOISE

WHAT CAN HAPPEN

HOW TO AVOID IT

- Under some conditions and duration of use, noise from this product may contribute to hearing loss.

- Always wear certified safety equipment: ANSI S12.6 (S3.19) hearing protection.



WARNING: RISK OF UNSAFE OPERATION

WHAT CAN HAPPEN

HOW TO AVOID IT

- Serious injury or death can occur to you or others if air compressor is used in an unsafe manner.
- Review and understand all instructions in your owner’s manual.
- Know how to stop the air compressor at all times.
- Do not operate until you are thoroughly familiar with all of the controls.
- Do not operate the compressor if you are fatigued, under the influence of alcohol or drugs, or in any other state which might impair judgment.
- Stay alert while operating the compressor and pay close attention to the task at hand.



CAUTION: RISK OF DAMAGE TO AIR COMPRESSOR OR PROPERTY

WHAT CAN HAPPEN

HOW TO AVOID IT

- Failure to transport or operate the compressor properly may result in major repair expenses.
- Check oil levels daily and maintain proper oil levels.
- Always operate compressor in a secure and level position.
- Do not operate without an air filter or in a corrosive environment.

FOR GAS ENGINE POWERED AIR COMPRESSORS – Please note that your gas powered air compressor may not be equipped with a spark arresting muffler. If the compressor is operated around flammable materials or agricultural crops, brush, forests, and grasslands, an approved spark arrestor must be installed, maintained and in good working order. An approved spark arrestor is legally required in the state of California under sections 4442 and 4443 of the California Public Resources Code Statute section 130050. Check your local and state regulations to determine if a spark arrestor is needed for your area of operation.

FOR HONDA ENGINES EQUIPPED WITH OPTIONAL ELECTRIC START – Review the instructions provided in the Honda owner’s manual included with your air compressor. If you’re unable to locate that manual please visit <http://engines.honda.com>, click on SUPPORT & SERVICE, Owner’s Manual, & GX Series engines. Find the specification & serial number etched into the engine block and choose the appropriate owner’s manual.

HONDA SPECIFICATIONS & RECOMMENDATIONS (FOR ENGINES EQUIPPED W/ELECTRIC START)

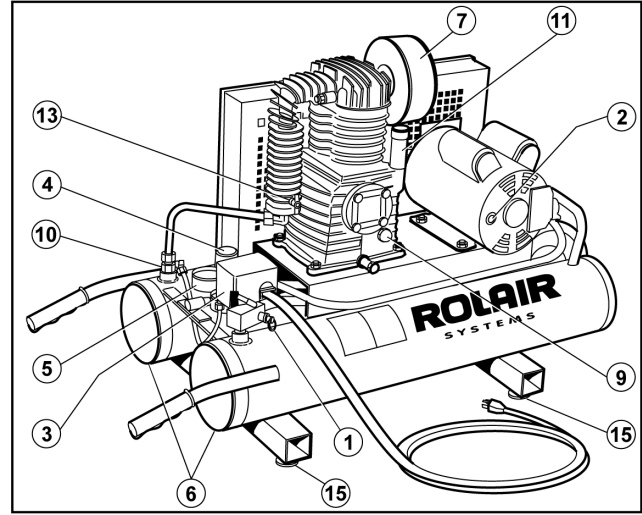
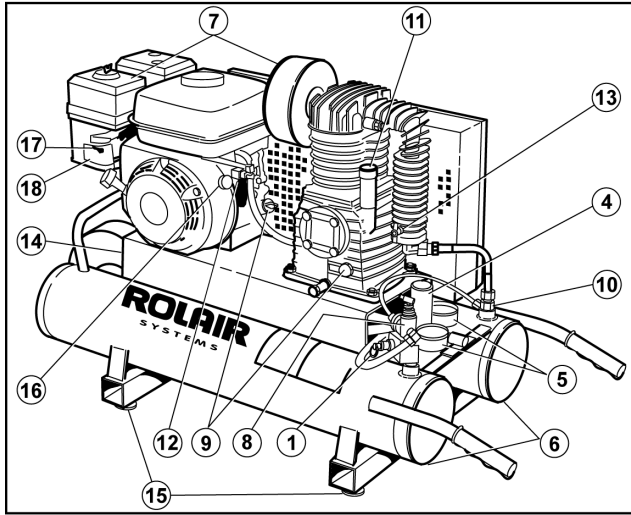
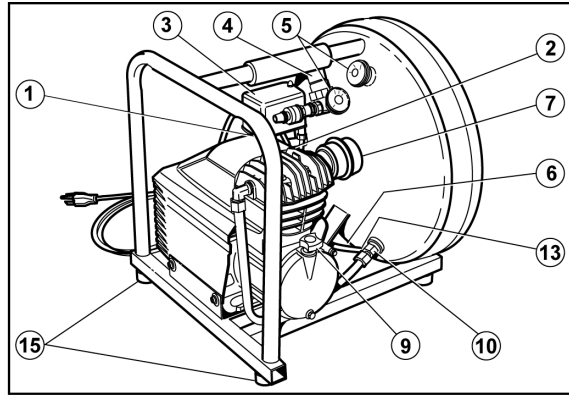
Engine	Charging System (A)	Fuse Size (A)	Battery	Minimum Battery Capacity
GX120, GX160, GX200	3.0 A	15 A	12V	18 AH
GX240, GX270, GX340, GX390	3.0 A	15 A	12V	24 AH
GX630 (V-Twin)	17.0 A	30 A	12V	45 AH

Positive cable: AWG No. 4 x 1.5 m (5.0 ft.) maximum
Negative Cable: AWG No. 4 x 2.3 m (7.5 ft.) maximum

ROLAIR RECOMMENDATIONS (FOR ENGINES EQUIPPED W/ELECTRIC START)

- Always drain the air compressor tank pressure completely and leave drain valve open prior to and after starting the engine.
- Allow the air compressor to run, with the tank drain open for 30-40 seconds, before closing the drain to build tank pressure and cycle the engine between full throttle & idle speed.
- Locate & install battery terminal caps (boots) over the battery terminals & the open (+) starter solenoid post. For examples of the types of terminal caps to use search the following part numbers online: 444L8V02 or 444R8V02 (Insulator Red Battery L or R Post), 444L8V14 or 444R8V14 (Insulator Black Battery L or R Post), and 470N9V02 (Insulator Boot, Starter Terminal).
- The use of battery terminal caps (boots) are required by Honda to protect the terminals & posts from accident shorts that could lead to a fire and to reduce the exposure to moisture and debris that will corrode the terminals & posts prematurely.

SYSTEM CONTROLS



(1) SAFETY-RELIEF VALVE Every ROLAIR air compressor is equipped with a safety-relief valve which is designed to discharge tank pressure at a predetermined setting when a systems failure occurs. Check the safety valve daily by pulling on the ring only when the tank pressure is completely drained. The spring loaded valve should move freely within the safety valve body. An inoperable safety valve could allow an excessive amount of tank pressure to build causing the air tank to violently rupture or explode.



Do not tamper with or attempt to eliminate the safety relief valve.

(2) MANUAL OVERLOAD / MOTOR RESET Every ROLAIR electric air compressor is built with manual overload protection. If the motor overheats, the overload sensor will *trip* the reset button to protect the motor. If this occurs, please allow the motor to cool for approximately five minutes. Locate and push in the reset button. The use of an undersized or excessive length of extension cord may be the cause of overheating. Re-evaluate the power source and gauge/length of extension cord being used. (Refer to chart on page 10)

(3) PRESSURE SWITCH Most electric air compressors are operated by the use of a pressure switch. Always make sure the lever is in the "Off" position before plugging in the power cord. By moving the lever to the "On/Auto" position, the compressor will start and stop automatically within the settings of the pressure switch which are typically 105 – 130 PSI. Do not attempt to stop the compressor by unplugging the power cord. To stop, simply move the lever to the "Off" position. The lever operates a relief valve that dumps off head pressure and allows the compressor to restart without load the next time it is used.

(4) REGULATOR – WORKING PRESSURE To adjust the output/line pressure, simply lift up on the regulator adjustment knob and rotate clockwise to increase working pressure or counterclockwise to decrease. Push adjustment knob back down to lock in setting. Never exceed the manufacturer's maximum allowable pressure rating of the tool being used or item being inflated.

(5) PRESSURE GAUGE(S) Typically, most compressors are designed with a gauge to measure tank or storage pressure and another gauge attached to the regulator that indicates output or working pressure.

(6) DRAIN VALVE(S) One or more drain valves are installed to allow moisture to be drained on a daily basis from the compressor storage tank(s). Open drains carefully and slowly to prevent scale, rust, or debris from becoming expelled at a high rate of speed.

(7) AIR INTAKE FILTER Air intake filters are installed to prevent foreign matter from entering the engine or compressor pump. Check intake elements on a regular basis and either clean or replace as needed. Warm soapy water or low compressed air may be used to clean the elements. Check intake canisters or elbow components for cracks or broken seals and replace if structural problems are found.

SYSTEM CONTROLS (continued)

(8) PILOT-UNLOADER VALVE A pilot-unloader valve is used on all gas-powered units and can be used on electric air compressors to operate in a continuous manner. When the storage tank reaches the top pressure setting of the pilot valve, the air being compressed is discharged to atmosphere instead of into the storage tank. When the tank pressure drops to the low pressure setting of the pilot valve, the compressed air will be redirected to the air tank. Do not attempt to replace the pilot valve without first draining the tank pressure completely. See Figure 3 for adjustment and fine-tuning instructions. Do not adjust above the following factory recommendations.

Classification	Pressure Setting
Direct Drive Compressor	105-130 PSI
I-Stage Compressor	110-135 PSI
II-Stage Compressor	130-150 PSI

(9) SIGHT GAUGE/DIPSTICK Prior to daily operation, make a habit of checking the oil level of the compressor pump and engine (if compressor is gas powered). Every direct-drive hand-carry air compressor has a dipstick to help check and maintain the proper oil level. The dipstick also functions as a crankcase vent. Never operate a direct-drive unit without the factory-supplied dipstick. Our belt-driven air compressors are equipped with a sight gauge to make the daily task of checking the oil level easier. Always maintain the oil level to read 2/3 full on the sight gauge.

(10) CHECK VALVE Every ROLAIR air compressor is built with a check valve to seal off and maintain tank pressure after the top end pressure setting of pilot valve or pressure switch is reached. The check valve works in conjunction with the pressure switch relief valve to provide a loadless start for the compressor system. A quick burst of air escaping from the pressure switch relief valve after an electric unit reaches top end indicates the check valve is working properly. If the compressor has a mysterious leak after stopping that cannot be traced elsewhere, the check valve may require servicing/replacing.

(11) BREATHER/OIL FILL PLUG All reciprocating air compressor pumps are built with a crankcase vent to relieve the pressure that is created by the downward movement of the piston in the pump cylinder. Our direct-drive air compressors vent the crankcase pressure through special ports in the dipstick. Our belt-drive units vent through the oil-fill plug. Never operate the air compressor without the dipstick or oil-fill plug.

(12) AUTOMATIC-IDLE CONTROL Every ROLAIR gas-powered air compressor is built with an engine idle control kit that automatically decreases the engine speed when the top end pressure setting of the pilot unloader valve is reached. The top RPM setting of the engine is factory set for maximum performance and service life. Do not alter the factory top RPM setting. The engine idle speed is factory set and controlled by a black plastic Philips head screw on the carburetor. A slight increase to the idle speed setting may be required when operating in colder temperatures. Turn screw clockwise in 1/4 turn increments to increase the idle speed. If the idle speed setting is too low, premature fouling of spark plug will occur.

(13) COLD-START VALVE Most ROLAIR direct-drive air compressors are built with an automatic cold-start valve that allows the motor/pump to warm up before being subjected to tank pressure. Our belt-driven portable units have a manual drain valve installed on the pump aftercooler to assist with cold weather starting. Open drain valve and allow the motor and pump to run *unloaded* for a minute to warm up. Close the drain and repeat the procedure if the motor or engine continue to struggle.

(14) SCHMIDT BELT-TIGHTENING DEVICE (FOR GAS UNITS ONLY) Every ROLAIR gas-powered belt-driven portable air compressor has a unique system for maintaining proper belt tension. Simply loosen the 1/2" locknuts (only until washers beneath spin freely) that secure the engine and rotate the fine thread bolt located on the wheel end of the base plate clockwise until the desired belt tension is achieved. (See drawing in section on operating instructions for proper tension) Re-tighten 1/2" locknuts to secure engine and maintain desired belt tension setting.

(15) VIBRATION DAMPENER(S) The rubber pads installed beneath every portable ROLAIR tank assembly are very important to the proper operation of the air compressor. They provide protection from vibration that left unchecked could cause damage to many system components.

(16) ENGINE KILL SWITCH A kill switch is installed to easily stop the engine. Do not attempt to move the throttle lever (as described in the Honda owner's manual) when stopping the engine. The engine throttle lever is factory set and locked down at a top RPM setting that will provide maximum performance and service life for the complete air compressor system. The kill switch must be moved to the "On" position prior to pulling the recoil rope assembly to start the engine.

(17) ENGINE CHOKE Moving the choke lever completely to the left (closed position) will help start a cold engine. Also see instructions for cold-start valve (Item #13). After start up, the choke lever must be moved completely to the right (open position) for the engine to operate properly. Fouling of spark plug and excessive internal carbon build up will occur if engine is operated with choke lever even partially closed.

(18) FUEL SHUT-OFF VALVE The fuel shut-off valve should only be moved to the "Open" position (completely to the right) when the engine is being operated. Always stop the flow of fuel by moving the shut-off valve completely to the left when the engine is not being operated. Do not move or transport the air compressor with the fuel valve in the open position.

PRE-START CHECKLIST

Read the owner's manual thoroughly. Make sure that you completely understand all of the safety warnings, system controls and instructions provided before attempting to operate this air compressor. Every effort has been made to provide you with the information needed to obtain many years of reliable and trouble-free service out of your new air compressor. It is your responsibility to operate the air compressor properly. To obtain the longest possible service life from your air compressor you must always keep the following instructions in mind.

1. ALWAYS OPERATE THE COMPRESSOR IN A LEVEL POSITION

All splash-lubricated pumps have a dipper on the bottom of the connecting rod that must remain submerged in the oil bath. Operation at more than a 10 degree angle will cause the pump to seize and void the product warranty

2. OPERATE IN A CLEAN, DRY AND WELL VENTILATED AREA

Allow at least 18" behind the belt guard for proper cooling of pump from flywheel blast. Do not operate in the rain or in areas of standing water. Never operate in an area where other gases, fumes or vapors are present which may become explosive when compressed. Do not operate compressor in an enclosed area.

3. CHECK OIL LEVEL DAILY AND CHANGE AT REGULAR INTERVALS

Refer to the maintenance section of this owner's manual for the correct type/weight of oil to use and how often the oil should be changed. Check oil levels daily.

4. INSPECT/CLEAN/CHANGE INTAKE ELEMENTS ON A REGULAR BASIS

The ingestion of dirt into the pump and engine is the primary cause of premature wear. Pay special attention to the intake filters. Check intake filters daily.

5. USE LONGER, PROPERLY SIZED AIR HOSE RATHER THAN EXTENSION CORDS

If an extension cord must be used, please refer to the chart below for the proper gauge and maximum length that can be used. The use of inadequately sized air hose will also lead to frictional pressure drops that could affect the proper performance of your air tools.

ELECTRIC EXTENSION CORD TABLE		
Minimum Wire Size		
Extension Cord Length	Motor 1/2 and 3/4 HP	Motor 1, 1-1/2, and 2 HP
Up to 25 ft.	14 Ga.	12 Ga.
25 – 50 ft.	12 Ga.	10 Ga.
50 – 100 ft.	10 Ga.	8 Ga.

6. DO NOT USE A GENERATOR AS THE POWER SOURCE

Air compressors use inductive motors that require 3-5 times the full-load amp draw to properly start. Most generators will not provide the wattage needed to properly start this type of electric motor.

7. CHECK TENSION OF BOLTS, BELTS, AND HARDWARE ON A REGULAR BASIS

Operation of any equipment with loose bolts and/or fittings will lead to excessive vibration and the premature failure of the compressor system control components.

8. MAINTAIN RUBBER VIBRATION PADS

Excessive vibration is a major cause of premature compressor failure. Always maintain the rubber vibration pads located beneath tank assembly. Operation without them will void your warranty.

9. DRAIN MOISTURE FROM AIR TANKS DAILY

Water is a natural byproduct of compressed air. Drain air tank(s) after each use to combat internal tank corrosion. Keep drain valve(s) closed if storing compressor for any length of time.

10. DO NOT ALTER FACTORY RPM SETTINGS ON GAS-POWERED COMPRESSORS. Engine throttle arm is factory set and locked into position at RPMs that will provide maximum performance, fuel consumption and service life. Alterations to this setting will void your warranty.

OPERATION

WARNING — Your safety and the wellbeing of others during the operation of every ROLAIR compressor is our main concern. Do not operate or permit anyone else to operate your air compressor until the information contained in this manual is read and completely understood. Please contact your distributor or our customer service department if you have any questions on the proper use of your air compressor.

WET CONDITIONS: Do not operate your compressor in damp or wet conditions, or after it has been exposed to rain/sleet/ice/snow or moisture of any kind. Failure to follow this warning could lead to electric shock and/or rust and ice forming on critical components, making the compressor dangerous to operate. Always operate and/or store compressor in a clean, dry location with good ventilation.

DIRECT-DRIVE ELECTRIC

Establish that the air compressor is ready to operate by reviewing the topics and information provided in the “Pre-Start Checklist” section of this manual. Slowly open tank drain to remove any condensate that has accumulated and keep drain open for a few seconds after starting to warm up motor/pump assembly. Make sure the pressure switch lever is in the “Off” position before plugging power cord into a properly grounded outlet. Move pressure switch lever to the “On/Auto” position to build and automatically maintain top end tank pressure setting. Rotate regulator adjustment knob counterclockwise until the gauge attached reads 0 PSI before attaching air hose and accessory. Set working pressure by rotating regulator adjustment knob clockwise and lock in working pressure according to specifications provided by the tool manufacturer. Always use the pressure switch “On(Auto)/Off” lever to start or stop the air compressor. **Never** stop the compressor by unplugging it from the power source. Store compressor in a warm/dry location and perform maintenance as indicated in manual.

BELT-DRIVE ELECTRIC

START/STOP OPERATION:

Follow same procedures described above for use of direct-drive electric compressors. Open drain valve located on pump aftercooler for cold starting purposes. An electric belt-driven motor should not be subjected to more than 15 starts per hour. Consult your dealer or any authorized ROLAIR service center for information on a conversion kit if you experience nuisance tripping of the motor overload due to an excessive amount of motor starts per hour.

CONSTANT-SPEED OPERATION:

Constant speed or continuous-running operation should be used during periods of heavy use to extend motor life and prevent overheating. **If your machine is built to only operate continuously, special care must be taken to safely start and stop the machine. Always shut off the power to the electrical outlet at the main breaker or optional on/off switch before plugging in or unplugging the power cord.** We also highly recommend complete draining of storage tank(s) and opening of aftercooler drain valve prior to starting, especially when operating in cold temperatures. **Never stop the compressor by pulling the plug from the outlet. Use the breaker or optional on/off switch to shut off the power to the outlet first.**

DUAL-CONTROL OPERATION:

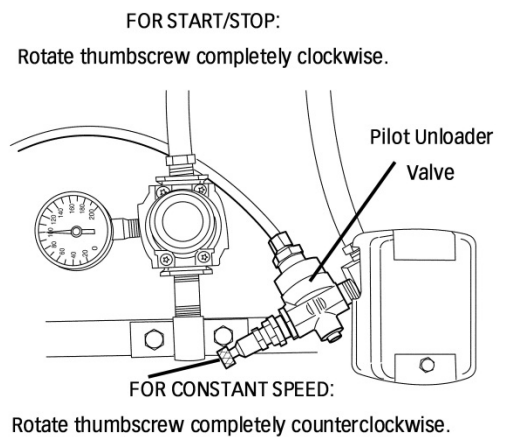
Dual controls allow an easy transition between start/stop and continuous-running operation. See figure 1 for instructions to switch operation from start/stop to constant speed. Always flip the lever on the pressure switch to the “off” position before plugging in or unplugging the power cord.

DUTY CYCLE:

All ROLAIR belt-driven air compressors are equipped with S1 or 100% duty cycle motors and pumps. Given proper ventilation and electrical power, your ROLAIR compressor is capable of operating continuously when set up for constant speed operation. However, an excessive amount of starts per hour may generate enough heat to trip the motor overload. Please contact our factory Customer Service Department if overload problems repeatedly occur.

Several ROLAIR direct-drive machines, Models FC1500HBP2, FC1500HS3 and JC10, are rated for 70% duty cycle. If subjected to continuous operation the internal overload will shut down the motor and only restart when sufficient cooling has occurred.

Figure 1



OPERATION (continued)

GAS POWERED

Refer to item numbers 12, 16, 17 & 18 in the "System Controls" section of this manual for information on the engine automatic idle control, kill switch, choke and fuel shut-off valve. Also note the engine throttle arm is locked into a top RPM setting that will provide maximum service life and does not need to be moved to start or stop the machine. Additional instructions can be found in the engine owner's manual. Use the drain valve located on the pump aftercooler or intercooler for cold-starting purposes. Take additional care to keep dirt/debris from entering the fuel tank or obstructing the air flow through the engine or past the pump. Make sure the air flow to the regulator is completely closed (gauge attached reads 0 PSI) before attaching air hose and accessory. A slight *hissing* noise caused by the air flow being directed to atmosphere during engine idle is normal. Store compressor in a warm/dry location and perform maintenance as indicated in your manuals.

FREEZING TEMPERATURES:

Proper fluid maintenance and warm up procedures are mandatory before attempting to start or operate an air compressor in freezing temperatures. Water, a natural byproduct of compressed air, could turn into ice and potentially block air flow into, through, and/or out of the pump, air tank(s), and air line(s). Drain air tanks/ lines after every use and leave drain valves open when not in use.

If all, or part, of the compressor may be frozen, you must completely thaw the compressor before attempting to start. Gradually increase the temperature above freezing and then drain moisture from the air tanks, intercoolers, and water traps.

Cold Weather Best Practices:

- Do not attempt to start a frozen compressor. Thaw completely first.
- Store your air compressor in a clean, dry area that stays consistently above freezing temperatures.
- Change the oil in the pump and engine to winter grade (check owner's manual).
- Prior to starting, open the tank drain(s) and allow the compressor to run for 45-60 seconds with the tank drain(s) open before closing to build tank pressure.
- Using a lubricator with de-icing fluid may also be needed to keep your air lines from freezing up/blocked by ice.
- Contact your ROLAIR dealer or our factory customer service department if you have additional questions.

High-Altitude Operation:

Due to a decrease in atmospheric pressure air compressor pumps produce less CFM at higher elevations. As a rule of thumb the output will decrease approximately three percent per 1000 feet of elevation. Also, because air at higher elevations is less dense and does not cool as well, electric motors cannot be subjected to the full nameplate service factor amp rating and may need to be upgraded to avoid repeated overheating.

Direct drive or hand-carry compressors built with cold-start valves may need to be modified when operated in higher elevations. Carburetors on gas-powered air compressors may also need to be rejetted to perform properly at higher elevations. Contact our factory Customer Service Department if your normally reliable air compressor fails to operate correctly at higher elevations.

MAINTENANCE

Your new air compressor represents the finest engineering and construction available. Even the best machinery requires periodic maintenance. Please stick to the maintenance schedule and consider the suggestions that follow to keep your compressor in peak condition.

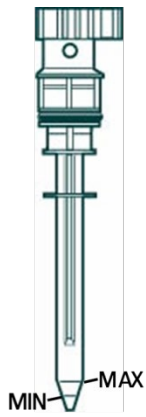
NOTE: Always unplug or shut down your compressor and drain the air tanks completely before attempting any type of maintenance. Wait for compressor to cool before servicing.

IMPORTANT: Replace the oil after the first 50 hours of operation.

MAINTENANCE HINTS:

- 1) Use a soap/water solution to check for air leaks.
- 2) Never clean filters with a flammable solvent.
- 3) Retorque head bolts only after pump has cooled.
- 4) Move motor 1/4" and roll belts back on to increase belt tension on electric units.
- 5) Never weld on air tank(s).
- 6) Use heat to loosen Loctite seal on drain valves, engine pulleys, and flywheels before attempting to remove.

MAINTENANCE (continued)



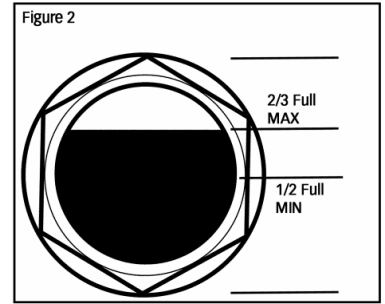
LUBRICATION

Prior to each use, make a habit of checking the pump oil level. Most direct-drive air compressors have a dipstick with casting marks that indicate the minimum and maximum acceptable levels of oil. Our belt-driven pumps have a sight gauge, located on the outside of the crankcase, to make the task even easier. Always maintain the oil level at the maximum mark on the dipstick or to 2/3 full in the sight gauge

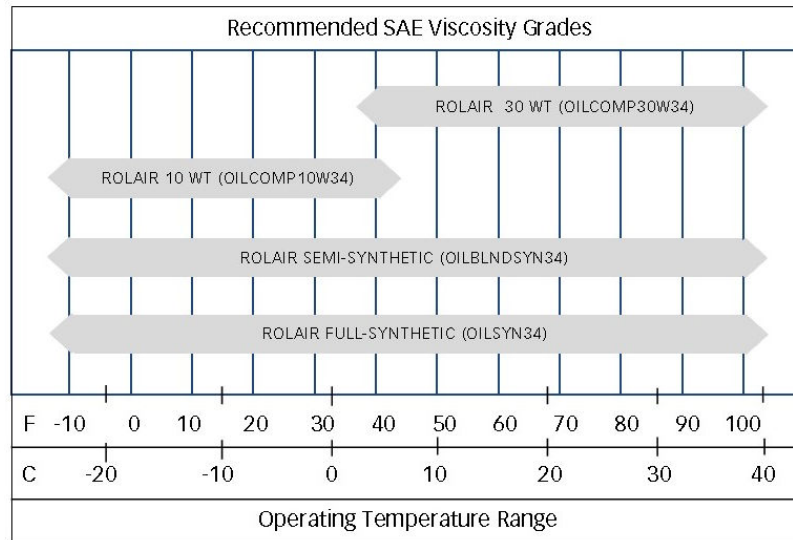
Do not operate the pump with an inadequate or excessive amount of oil. The cost of failures which occur due to incorrect oil levels will not be covered under warranty.

DO NOT USE A DETERGENT OIL!

NOTE: Unit must be level when in operation



OIL CHART



- ROLAIR Standard 10 WT or 30 WT Should be changed every 200-400 hours after the break-in period
- ROLAIR Semi-synthetic should be changed every 1,000 - 2,000 hours
- ROLAIR Full-synthetic should be changed every 2,000 - 4,000 hours

MAINTENANCE SCHEDULE

Recommendation	Daily	Weekly	Monthly	Quarterly	Annually
Check Oil Level	X				
Drain Moisture from Tank(s) 1	X				
Inspect Air Filter(s) 4	X				
Check for Unusual Noise or Vibration 2	X				
Inspect Belt Guard	X				
Check for Air or Oil Leaks 3	X				
Clean Exterior of Air Compressor 5		X			
Check Condition of Vibration Pads		X			
Tighten/Retorque Bolts 6		X			
Check Belt Tension 9		X			
Check Operation of Safety Valve 10		X			
Change Compressor Oil			X		
Clean/Change Air Filter 7			X		
Perform Pump Up Time Test 8			X		
Check Operation of System Controls 11				X	
Check Air Tanks for Dents/Leaks 12				X	
Tank Inspection by Certified Inspector 13					X

MAINTENANCE (continued)

TORQUE CHART (INCH/LB)

Pump Type	Direct Drive	K12	K17	K18	K24	K28	K30
Head Bolts	96	243	243	243	243	347	347
Cylinder Bolts	120	182	182	182	182	330	330
Bearing-Carrier Bolts	N/A	130	130	130	130	130	130
Connecting-Rod Bolts	N/A	121.5	121.5	121.5	121.5	121.5	173.6
Flywheel Nut (left-hand thread)	N/A	243	382	382	382	477	477

Determine pump type using suffix of Model number (Example: 4090HK17 uses K17 pump)

PILOT VALVE ADJUSTMENT

NOTE: Should only be performed by ROLAIR factory authorized personnel.

RESETTING DIFFERENTIAL (2)

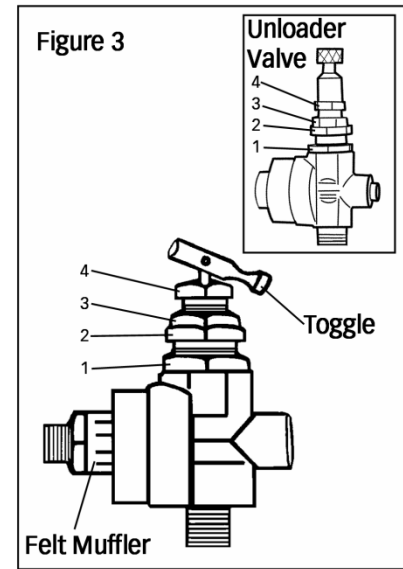
Make sure the top toggle lever is positioned as shown. (See Figure 3). Loosen locknut (1) by turning counterclockwise several full turns. Gently turn differential setting (2) clockwise only until the internal rod makes contact with the steel ball inside. After making contact, turn differential (2) counterclockwise 1/4 turn. Secure position by tightening locknut (1) and proceed to top end setting.

TOP-END SETTING (4)

Loosen locknut (3) by turning counterclockwise several full turns. (4) is the top end setting. Turning (4) clockwise will increase the top end pressure setting. Turning counterclockwise will decrease the top end pressure setting. Begin at a low setting by turning counterclockwise one full turn. Proceed to fine tuning instructions.

FINE-TUNING INSTRUCTIONS

Start engine/motor and observe tank pressure gauge. As tank pressure approaches 100-130 P.S.I.G., the pilot valve should begin unloading at felt muffler and cause gas engine to slow down to idle speed. If pilot valve does not unload as tank pressure approaches 130 P.S.I.G., slowly turn top end setting (4) counterclockwise until pilot starts to unload prematurely (at 100 P.S.I.G.), turn top end setting (4) clockwise in 1/4 turn increments, tap down on the internal rod at toggle attachment and repeat until desired top end setting is reached. If pilot valve begins to rattle (sputter), fine tune differential setting (2) 1/16 turn in either direction until rattling stops. After fine tuning, secure setting by turning locknuts (1 & 3) clockwise until tight. Hold setting (2 & 4) in place while turning locknuts to secure.



SCHMIDT BELT-TIGHTENING DEVICE

(FOR GAS UNITS ONLY)

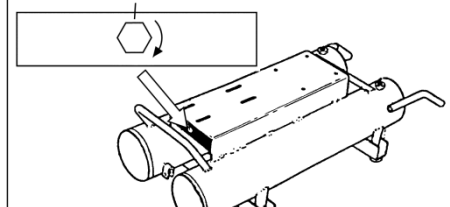
NOTE: Should only be performed by ROLAIR factory authorized personnel.

To tighten belt tension, proceed as follows:

1. Loosen locknuts for engine hold-down bolts only until washers beneath spin freely.
2. Rotate 1/2" adjusting bolt clockwise until desired tension is reached. (See Figure 4).
3. Retighten locknuts to secure engine.

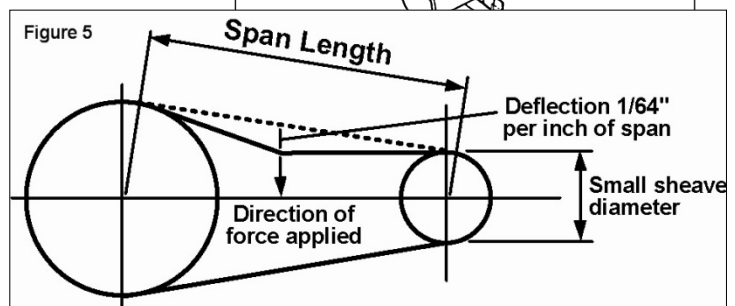
Figure 4

Clockwise rotation of 1/2" bolt will increase belt tension



DRIVE PULLEYS

Drive pulleys must be properly aligned and drive belt tension set to specification. Improper pulley alignment and belt tension can cause motor overloading, excessive vibration and premature belt and/or bearing failure. (See Figure 5).



GASOLINE ENGINE RPM SETTINGS

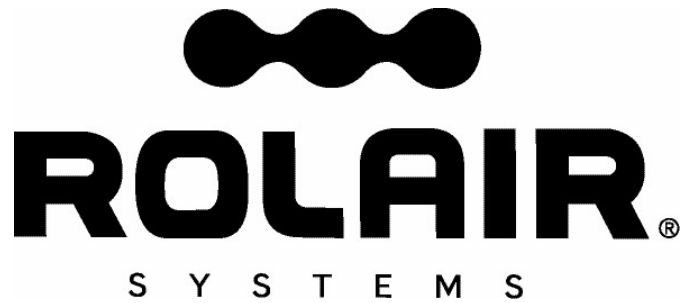
Model	Top RPM	Idle RPM	Pump RPM
4090 Series	2950	1900	1025
1040 & 2040 Series	2775	1900	1175
6590 Series	3150	1900	1125
8422 & 8230 Series	3000	1900	900

NOTE: Engine RPM's (High – Low Settings) are factory set for maximum efficiency. Adjusting RPM's above factory specification will void the warranty.

TROUBLESHOOTING

WARNING - Make sure you completely understand all of the safety warnings and operation of each system control component before attempting any maintenance or repair. Always drain the tank pressure completely, make sure the power cord is unplugged, and unit has time to cool before performing any maintenance or service operations.

PROBLEM	CAUSE	SOLUTION
Pump is slow to build tank pressure	Loose/slipping belt	Adjust belt tension
	Excessive leaks in system	Correct air leaks
	Blown gasket	Replace head gaskets
	Broken reed valve	Replace reed valves
	Obstructed intake filter	Clean or replace intake element
	Leaking regulator	Replace regulator
	Defective pilot valve	Replace pilot valve
Excessive oil consumption	Too much oil in crankcase	Drain to proper level
	Improper weight of oil	Replace with proper oil
	Obstructed crankcase vent	Replace dipstick or oil fill plug/crankcase vent
	Dirty/plugged intake filter	Clean/replace intake filter
	Worn piston rings	Take unit in for service
Knocking noise	Scored cylinder	Take unit in for service
	Loose pulley or flywheel	Tighten appropriate parts
Overheating compressor	Loose belts	Adjust belt tension
	Internal pump problem	Take unit in for service
	Poor ventilation	Relocate compressor
Electric motor dead, will not even hum	Improper pump rotation	Contact an electrician
	Internal pump problem	Take unit in for service
	Thermal overload tripped	Locate and push reset button
	Reset physically broken	Replace overload/reset
Motor trips overload/reset button	Loose motor leads or electrical connection	Locate and correct loose electrical connection(s)
	Short in power cord	Replace power cord
	Motor is starting/stopping excessively	Install constant speed or dual control kit
	Overload is defective/weak	Replace overload
	Improper gauge of extension cord	Use longer lengths of air hose or heavier cord
Gasoline engine is hard to start	Stripped or poorly tightened motor thru bolts	Retighten or replace stripped thru bolts
	Cracks in end bell or housing	Take unit in for service
	Fouled, incorrect, or improperly gapped spark plug	Install proper spark plug after gapping to factory specs
	Improper engine oil level	Fill to top of threads for oil plug
Gasoline engine is hard to start	Improper weight of pump or engine oil	Change to proper weight of oil for operating temperature
	Improper or old gas	Take unit in for service



Guarantee

Associate Engineering Corporation warrants that all ROLAIR compressors will be free of defects in material and workmanship for a period of twelve months from the date of initial retail purchase, or eighteen months from the date of manufacture, whichever may occur first.

Should any failure to conform to this warranty be reported to the company within said period, the company shall, upon purchaser shipping the compressor to our plant transportation prepaid, correct such nonconformity by suitable repair or, at its option, furnish a replacement part F.O.B. our plant.

Associate Engineering Corporation shall not be liable for any unauthorized repairs, replacements, adjustments to the compressors, or the costs of labor performed by the purchaser.

This warranty is expressly in lieu of all other warranties expressed, implied or statutory (including, but not limited to, warranties of merchantability and fitness for purpose) and of any other obligations, and/or liabilities on the part of Associate Engineering Corporation. Associate Engineering Corporation neither assumes nor authorizes any other person to assume for it any other obligations or liability in connection with or with respect to any compressor.

Associate Engineering Corporation shall in no event be liable neither for any consequential, incidental or special damages nor for the improper selection of any compressor for a particular application.

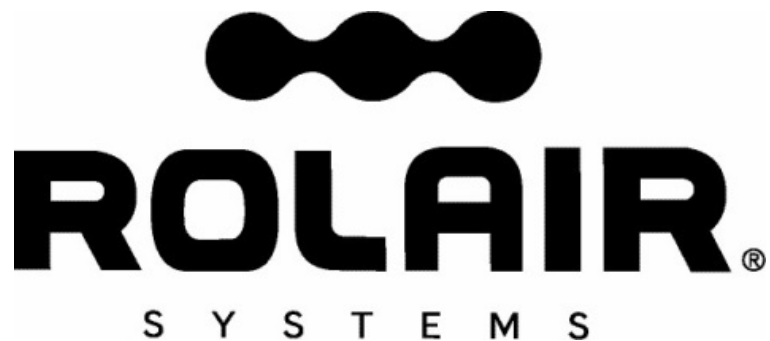
Quality

Associate Engineering Corporation is devoted to continual quality control and thorough research of the products we build. It is our creed to give you, the user, all of the experience and engineering available in the production of every piece of equipment we produce.

Our line covers the complete needs of today's varied air requirements. Rely on ROLAIR for all the newest and finest features that are available for the modern compressor.



606 South Lake Street > P.O. Box 346 > Hustisford, WI 53034-0346 > 920.349.3281 > fax 920.349.8861 > www.rolair.com



COMPRESORA DE AIRE PORTÁTIL MANUAL DEL PROPIETARIO

PARTES

Las partes genuinas de repuesto de ROLAIR se venden en todo el país a través de una red de distribuidores y centros de servicio autorizados. Contacte al distribuidor donde adquirió su compresora de aire o a nuestro departamento de servicio al cliente en nuestra fábrica si necesita ayuda para solucionar problemas, obtener partes o localizar a un representante de servicio autorizado de ROLAIR.

Para solicitar partes de repuesto:

1. Proporcione el número de modelo de la compresora
2. Proporcione el número de serie de la compresora
3. Nombre de la parte
4. Número de parte
5. Cantidad requerida

REGISTRO DE INFORMACIÓN PERTINENTE

Haga aquí un registro permanente del modelo y el número de serie de su nueva compresora de aire. Ahorrará tiempo y gastos si incluye esta información de referencia al solicitar servicio o partes de repuesto.

Lugar y fecha de compra		Voltios
Modelo		Hz
N.º de serie		C. F.

Con el medidor del tanque a 0 psi (0 kPa) y las líneas de aire desconectadas, cierre las válvulas de drenado y registre el tiempo que tarda en acumularse la presión del tanque en el espacio que se proporciona. Pruebe la compresora periódicamente para comparar el resultado con este tiempo de bombeo a fin de determinar si funciona correctamente. Si el resultado de la prueba de tiempo difiere considerablemente, comuníquese con el representante local de ROLAIR para solicitar servicio.

De 0 a ____ *psi (kPa)		
Fecha	Min.	Seg.

De 0 a ____ *psi (kPa)		
Fecha	Min.	Seg.



ÍNDICE

Introducción y definiciones de advertencias de seguridad	18
Advertencias de seguridad	19-23
Identificación de los sistemas de control	24-26
Lista de comprobaciones previas al inicio	26-27
Operación	27-28
Mantenimiento	29-31
Solución de problemas	32
Garantía	33

INTRODUCCIÓN

¡Felicitaciones por la compra de su nueva compresora de aire ROLAIR!

Con más de 50 años de experiencia en la fabricación de compresoras de aire ROLAIR específicamente diseñadas para profesionales, Associate Engineering Corporation se ha ganado la reputación de proporcionar un producto insuperable en cuanto a calidad y confiabilidad. Estamos comprometidos con seguir con esta tradición mediante el análisis y la adaptación a las necesidades cambiantes y a las demandas rigurosas de la industria. Usted puede confiar en ROLAIR porque están fabricadas para durar.

Este manual fue escrito para beneficio del operador. No utilice ni permita que alguien más utilice su compresora de aire sin antes haber leído y comprendido todas las instrucciones operativas y de seguridad de este manual. Mediante la lectura y seguimiento de las instrucciones de este manual, podrá alcanzar años de vida útil sin problemas de su nueva compresora de aire. Si después de leer este manual tiene alguna pregunta adicional sobre la seguridad o el funcionamiento, comuníquese con su distribuidor o con nuestro departamento de servicio al cliente. No quite ni pinte ninguna de las calcomanías de advertencia adheridas a la compresora. Si cualquier etiqueta de advertencia está ausente o es ilegible, suspenda el uso y contáctenos para un reemplazo gratuito (1-800-310-3573).

Definiciones: Advertencias de seguridad

Los símbolos de seguridad son usados en todo este manual para alertarlo a usted sobre situaciones inminentemente o potencialmente peligrosas. Las siguientes definiciones describen el nivel de gravedad de cada palabra de señalización.




PELIGRO: Indica una situación peligrosa inminente que, si no se evita, PROVOCARÁ lesiones graves o la muerte.



ADVERTENCIA: Indica una situación potencialmente peligrosa que, si no se evita, PODRÍA provocar lesiones graves o la muerte.



PRECAUCIÓN: Indica una situación potencialmente peligrosa que, si no es evitada, PUEDE resultar en heridas menores o moderadas, o daños en el compresor de aire u otras pertenencias.

 **ADVERTENCIA:** No arranque, no opere y no realice un servicio en esta máquina, hasta haber leído y comprendido completamente el manual del dueño. El no seguir esta advertencia, puede resultar en muerte o serias heridas. Si usted tiene preguntas, por favor, llame a nuestro número libre de cargo, 1-800-310-3573.

⚠️ ADVERTENCIA: CONTIENE PLOMO. Puede ser dañino si se ingiere o se mastica. Puede generar polvo que contenga plomo. Lávese las manos después del uso. Manténgalo fuera del alcance de los niños.

⚠️ ADVERTENCIA: Este producto puede exponerle a químicos incluyendo plomo, que es conocido por el Estado de California como causante de cáncer y defectos de nacimiento u otros daños reproductivos. Para mayor información, visite www.P65Warnings.ca.gov.

¡GUARDE ESTAS INSTRUCCIONES!



⚠️ PELIGRO: RIESGO DE EXPLOSIÓN O INCENDIO

QUÉ PUEDE OCURRIR

CÓMO EVITARLO

- | | |
|---|--|
| <ul style="list-style-type: none"> Los componentes eléctricos dentro del motor y el interruptor de presión emiten chispas. Esto es normal. Si las chispas eléctricas del compresor entran en contacto con vapores inflamables, pueden encenderse, causando incendio o explosión. | <ul style="list-style-type: none"> Siempre opere el compresor en un área bien ventilada lejos de todo vapor, líquido, pintura o gasolina inflamables, o cualquier otro material combustible. Siempre sitúe la compresora a al menos 20 pies (6 m) de distancia del área de trabajo si va a rociar materiales inflamables. Almacene los materiales inflamables en un sitio seguro, alejados del compresor. |
| <ul style="list-style-type: none"> Una ventilación inadecuada o restricciones a cualquiera de las aberturas de ventilación de los compresores, causarán serios sobrecalentamientos y pueden provocar un incendio. | <ul style="list-style-type: none"> Nunca coloque objetos contra o encima de un compresor de aire. Siempre opere el compresor de aire por lo menos a 45 cm (18 pulgadas) de distancia de toda pared u obstrucción. Siempre opere en un área limpia, seca y bien ventilada. |
| <ul style="list-style-type: none"> Los compresores desatendidos, con fugas en la unidad o en el sistema de aire, pueden arrancar inesperada y repetidamente, y eso puede resultar en sobrecalentamiento, incendio y heridas personales o daños a la propiedad. | <ul style="list-style-type: none"> Siempre permanezca atendiendo al compresor cuando el mismo esté funcionando. Siempre apague y desenchufe el compresor cuando no esté en uso. |
| <ul style="list-style-type: none"> Puede ocasionarse un incendio si gas o vapores derramados entran en contacto con piezas del motor calientes, cigarrillos encendidos u otras fuentes de ignición. | <ul style="list-style-type: none"> Nunca intente llenar el tanque de gasolina mientras el motor esté caliente o en funcionamiento. Agregue el combustible en el exterior y en un área bien ventilada. No llene el tanque de gasolina cerca de cigarrillos encendidos ni cerca de otras fuentes de ignición. |



⚠️ PELIGRO: RIESGO PARA LA RESPIRACIÓN (ASFIXIA)

QUÉ PUEDE OCURRIR

CÓMO EVITARLO

- | | |
|--|--|
| <ul style="list-style-type: none"> El aire de su compresor no es seguro para respirar y puede contener monóxido de carbono, vapores tóxicos o partículas sólidas. La inhalación del aire comprimido de su compresor de aire puede causar serias heridas o muerte. | <ul style="list-style-type: none"> Nunca inhale aire comprimido directamente de la bomba, el tanque, el receptor, o un dispositivo para respirar conectado con el compresor de aire. El compresor no está equipado con filtros adecuados y equipos de seguridad en línea para consumo humano. No use el aire de descarga para respirar. |
| <ul style="list-style-type: none"> Materiales rociados tales como pintura, estuco, insecticidas, solventes, etc. pueden contener vapores nocivos y venenos. | <ul style="list-style-type: none"> Opere el compresor y realice los trabajos solamente en áreas bien ventiladas. Lea y siga las instrucciones de seguridad proporcionadas en el rótulo o en las fichas de datos de seguridad de los materiales que usted esté rociando. Siempre use equipo de seguridad certificado y diseñado para su aplicación específica. |
| <ul style="list-style-type: none"> En los compresores accionados a gas, los gases del escape del motor contienen monóxido de carbono venenoso que es inodoro e incoloro. La inhalación de esos gases puede llevar a lesiones serias o muerte. | <ul style="list-style-type: none"> Opere los compresores solamente en áreas bien ventiladas. Evite inhalar los vapores del escape del motor y nunca haga funcionar un motor pequeño a gasolina en un edificio cerrado o en un área cerrada sin la ventilación adecuada. |



⚠️ ADVERTENCIA: RIESGO DE EXPLOSIÓN

EL TANQUE DE AIRE: Los tanques de aire no tienen una vida infinita y deben ser inspeccionados una vez por año para asegurar que todavía son seguros para el uso. Para encontrar un inspector de recipientes presurizados en su estado, busque bajo "Division

of Labor and Industries” (División de trabajo e industrias) en la sección de gobierno de la guía telefónica o llámenos sin cargo al 1-800-310-3573 para recibir asistencia.

Las siguientes condiciones pueden llevar a un debilitamiento del tanque de aire, y resultar en una explosión violenta del tanque de aire:

QUÉ PUEDE OCURRIR	CÓMO EVITARLO
<ul style="list-style-type: none"> El incumplimiento del drenaje apropiado y regular del agua condensada en los tanques de aire llevará a la corrosión, y la disminución del espesor del tanque de aire de acero puede ocasionar una explosión violenta del tanque de aire. Las modificaciones, las alteraciones o los intentos de reparaciones realizados en el tanque de aire pueden llevar a una explosión violenta del tanque de aire. 	<ul style="list-style-type: none"> Drene los tanques diariamente o después de cada 4 horas de uso. Si el tanque tiene una fuga, reemplácelo inmediatamente por un nuevo tanque de aire, o un nuevo compresor completo. Nunca perforo, abolle, suelde, emparche o modifique el tanque de aire o sus accesorios de ninguna manera. Si usted posee un tanque en el que cualquiera de esas condiciones pareciera existir o haber sido intentada, discontinúe el uso y reemplace el tanque de aire inmediatamente. Nunca intente reparar un tanque dañado o con fugas. Reemplácelo por un nuevo tanque inmediatamente.
<ul style="list-style-type: none"> Las modificaciones no autorizadas sobre la válvula de seguridad, el interruptor de presión, la válvula descargadora del piloto, o cualquier otro componente que controle la presión del tanque de aire, puede llevar a una explosión violenta del tanque de aire. 	<ul style="list-style-type: none"> El compresor de aire está diseñado para operar seguramente y soportar una presión específica fijada en la fábrica. Nunca realice ajustes o sustituya piezas componentes que controlen la presión del tanque de aire o las presiones operativas fijadas en la fábrica. No altere la configuración de fábrica de la presión operativa. Antes de comenzar, y con la presión del tanque de aire en cero, tire del anillo en la válvula de seguridad para asegurarse de que se mueve libremente. Nunca encienda la compresora sin una válvula de seguridad aprobada por la fábrica.

Aditamentos y accesorios:

<ul style="list-style-type: none"> Excediendo la capacidad de presión de las herramientas neumáticas, las pistolas rociadoras, los accesorios, los neumáticos o cualquier otro artículo inflable, puede causar la explosión de los mismos o su rotura en pedazos. 	<ul style="list-style-type: none"> No use herramientas neumáticas ni aditamentos antes de leer el manual del dueño, para determinar la capacidad de presión máxima de seguridad. Nunca supere la capacidad nominal de presión máxima permitida del fabricante. Nunca use el compresor para inflar objetos pequeños de baja presión, tales como juguetes para niños, pelotas, etc.
--	--



⚠ PELIGRO: RIESGOS DE HERIDAS O DAÑOS A LA PROPIEDAD DURANTE EL TRANSPORTE O EL ALMACENAMIENTO

QUÉ PUEDE OCURRIR	CÓMO EVITARLO
<ul style="list-style-type: none"> El aceite del compresor puede fugarse o derramarse, lo que puede ocasionar incendios o peligros para la respiración, causando heridas serias o muerte. Las fugas de aceite dañan alfombras, pintura o cualquier otra superficie. 	<ul style="list-style-type: none"> Siempre mantenga el compresor nivelado y nunca acostado lateralmente. Durante el transporte, siempre coloque el compresor sobre un tapete protector para evitar daños ocasionados por posibles fugas. Siempre retire el compresor del vehículo inmediatamente al llegar a su destino. Si se encuentra una fuga de aceite, siga todos los códigos de seguridad locales para la limpieza de materiales peligrosos.



⚠ ADVERTENCIA: RIESGO DE DESCARGA ELÉCTRICA

QUÉ PUEDE OCURRIR	CÓMO EVITARLO
<ul style="list-style-type: none"> Conexión eléctrica a tierra: El incumplimiento de proporcionar una conexión a tierra adecuada para el compresor puede resultar en heridas serias o muerte causadas por choques eléctricos. 	<ul style="list-style-type: none"> Siempre asegúrese de que el circuito eléctrico al cual el compresor está conectado proporciona conexión eléctrica a tierra apropiada, voltaje correcto y protección de fusibles adecuada. Si usted no está seguro, o si tiene alguna pregunta sobre correctas conexiones eléctricas a tierra, voltaje correcto o protección de fusibles adecuada, por favor llámenos sin cargo al número 800-310-3573.
<ul style="list-style-type: none"> Su compresor de aire funciona con electricidad. Como cualquier dispositivo eléctrico, si no es usado apropiadamente, puede causar descargas eléctricas. 	<ul style="list-style-type: none"> Nunca opere el compresor en el exterior cuando esté lloviendo, nevando o en condiciones húmedas.

- Pueden ocurrir serias heridas o muerte si se intentan realizar reparaciones por personal no autorizado.
- Nunca deje que su cable eléctrico permanezca dentro del agua.
- Nunca opere el compresor con un cable eléctrico dañado o con las cubiertas protectoras dañadas o retiradas.
- Nunca toque el enchufe con las manos mojadas.
- Nunca tire del cable eléctrico para desconectarlo de la toma de corriente.
- Todas las reparaciones o instalaciones eléctricas realizadas en este compresor deben ser llevadas a cabo solamente por personal de servicio autorizado por ROLAIR y de acuerdo con todos los códigos de electricidad nacionales y locales.



ADVERTENCIA: RIESGO DE OBJETOS VOLANTES

QUÉ PUEDE OCURRIR

- Pueden ocurrir serias heridas o daños a la propiedad causados por residuos disparados a altas velocidades por los chorros de aire comprimido.

CÓMO EVITARLO

- Siempre use equipo de seguridad certificado: gafas protectoras para los ojos ANSI Z87.1 (CAN/CSA Z94.3) con protectores laterales, cuando usa el compresor.
- Nunca dirija la corriente de aire, la boquilla o el rociador hacia ninguna parte de su cuerpo, otras personas o animales.
- Siempre desconecte el compresor y drene la presión del tanque completamente antes de efectuar el mantenimiento o la sujeción de la manguera de aire o las herramientas.



ADVERTENCIA: RIESGO DE SUPERFICIES CALIENTES

QUÉ PUEDE OCURRIR

- Serias quemaduras y heridas pueden resultar al tocar piezas metálicas expuestas, tales como el motor, la bomba o cualquier pieza de las líneas de descarga de cobre/trenzado y sus componentes. Estas piezas se calientan durante la operación y permanecen calientes por un período extendido de tiempo, aun después de haber apagado el compresor.

CÓMO EVITARLO

- Nunca toque una pieza metálica expuesta durante la operación, ni por un período de tiempo extendido después de apagar el compresor.
- No se acerque a las envolturas ni intente realizar ningún mantenimiento hasta que la unidad esté completamente fría.



ADVERTENCIA: RIESGOS DE PARTES EN MOVIMIENTO

QUÉ PUEDE OCURRIR

- Serias heridas o muerte pueden ocurrir si piezas móviles, tales como correas, volantes, poleas o ventiladores están en contacto con su cuerpo o sus ropas.

CÓMO EVITARLO

- Previamente a la operación, siempre asegúrese de que todos los protectores y cubiertas estén en buenas condiciones, y nunca opere el compresor si un protector o cubierta ha sido quitado o dañado.
- Siempre mantenga su pelo, sus joyas, sus ropas y sus guantes alejados de las piezas móviles, pues pueden quedar enganchados.
- Es común que las ventilaciones de aire cubran piezas móviles, y por lo tanto, también deben ser evitados.
- Siempre desenchufe el compresor cuando no esté en uso.
- Siempre drene completamente la presión del tanque de aire antes de intentar cualquier reparación o mantenimiento.
- Un compresor de aire eléctrico puede volver a arrancar en cualquier momento mientras está enchufado, y un arranque inesperado puede resultar en serias heridas, muerte o daño a la propiedad.

- Intentar operar el compresor con cualquier pieza, protector, envoltura o cubierta, dañados o faltantes, lo expondrá a usted a las piezas móviles, y eso puede resultar en heridas serias o muerte.

- Nunca deje operar el compresor de aire a los niños o a los adolescentes.
- Toda reparación del compresor de aire solamente debe ser realizada por personal autorizado por la fábrica ROLAIR.



⚠️ ADVERTENCIA: RIESGO AL LEVANTAR

QUÉ PUEDE OCURRIR

- Se pueden producir lesiones graves al tratar de levantar un objeto que es demasiado pesado.

CÓMO EVITARLO

- Siempre obtenga asistencia de otras personas antes de intentar levantar cualquier objeto muy pesado para usted.



⚠️ ADVERTENCIA: RIESGO DE CAÍDAS

QUÉ PUEDE OCURRIR

- Un compresor puede vibrar y moverse durante el curso de una operación normal, resultando en una caída desde una mesa, un banco de trabajo, un techo u otra plataforma, causando daños al compresor, a la propiedad y resultando en heridas serias o muerte a cualquier persona en la cercanía.

CÓMO EVITARLO

- Siempre opere el compresor de aire en una posición estable y segura para evitar movimientos accidentales de la unidad. Nunca opere el compresor sobre un techo u otra posición elevada. Use la manguera de aire para alcanzar sitios altos.



⚠️ ADVERTENCIA: RIESGO DE RUIDO

QUÉ PUEDE OCURRIR

- Bajo algunas condiciones y duración del uso, el ruido proveniente de este producto puede contribuir a pérdida auditiva.

CÓMO EVITARLO

- Siempre use equipo de seguridad certificado: protección auditiva ANSI S12.6 (S3.19).



⚠️ ADVERTENCIA: RIESGO DE OPERACIÓN PELIGROSA

QUÉ PUEDE OCURRIR

- Serias heridas o muerte pueden ocurrirle a usted o a otras personas si el compresor de aire es usado de una manera peligrosa.

CÓMO EVITARLO

- Revea y entienda todas las instrucciones en su manual del dueño.
- Sepa como detener el compresor de aire en todo momento.
- No la utilice hasta que se haya familiarizado completamente con todos los controles.
- No opere el compresor si usted se encuentra fatigado, bajo la influencia de alcohol o de drogas, o en cualquier otro estado que pueda impedirle el juicio.
- Manténgase alerta mientras opera el compresor y preste mucha atención a la tarea que realiza.





**PRECAUCIÓN: RIESGO DE DAÑOS A LA COMPRESORA DE AIRE O LA PROPIEDAD
QUÉ PUEDE OCURRIR**

- El incumplimiento del transporte o la operación correctos del compresor puede resultar en grandes costos de reparación.

CÓMO EVITARLO

- Revise los niveles de aceite y mantenga los niveles de aceite adecuados.
- Siempre opere el compresor en una posición segura y nivelada.
- No la utilice sin un filtro de aire o en un entorno corrosivo.

PARA COMPRESORES DE AIRE CON MOTOR A GAS – Por favor, observe que su compresor de aire accionado a gas puede no estar equipado con un amortiguador de chispas. Si el compresor es operado cerca de materiales inflamables o cultivos agrícolas, malezas, bosques y praderas, se debe instalar un amortiguador de chispas, que debe ser mantenido en buen funcionamiento. La sección 130050 del Código de Recursos Públicos de California, secciones 4442 y 4443, establece el uso obligatorio de un corta chispas aprobado en el estado de California. Verifique sus reglamentaciones locales y estatales para determinar si es necesaria la instalación de un amortiguador de chispas en su área operativa.

PARA MOTORES HONDA EQUIPADOS CON ARRANQUE ELÉCTRICO OPCIONAL – Examine las instrucciones proporcionadas en el manual del dueño Honda incluido con su compresor de aire. Si no puede encontrar ese manual, por favor visite <http://engines.honda.com>, haga "clic" en *SUPPORT & SERVICE, Owner's Manual* y *GX Series engines*. Localice la especificación y el número de serie grabado en el bloque del motor, y seleccione el manual del dueño apropiado.

ESPECIFICACIONES Y RECOMENDACIONES HONDA (PARA MOTORES EQUIPADOS CON ARRANQUE ELÉCTRICO)

Motor	Sistema de carga (A)	Tipo de fusible (A)	Batería	Capacidad mínima de la batería
GX120, GX160, GX200	3 A	15 A	12V	18 Ah
GX240, GX270, GX340, GX390	3 A	15 A	12V	24 Ah
GX630 (2 cil. en V)	17 A	30 A	12V	45 Ah

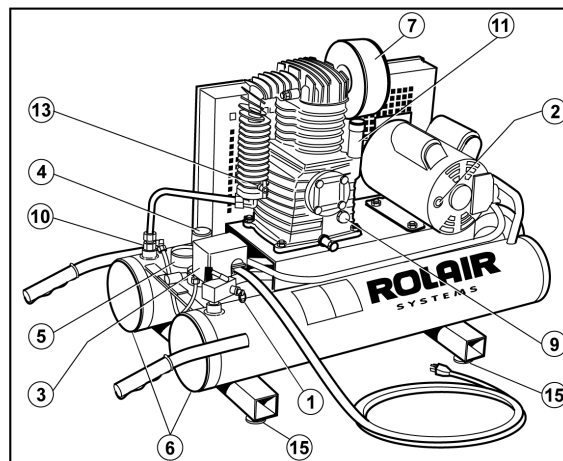
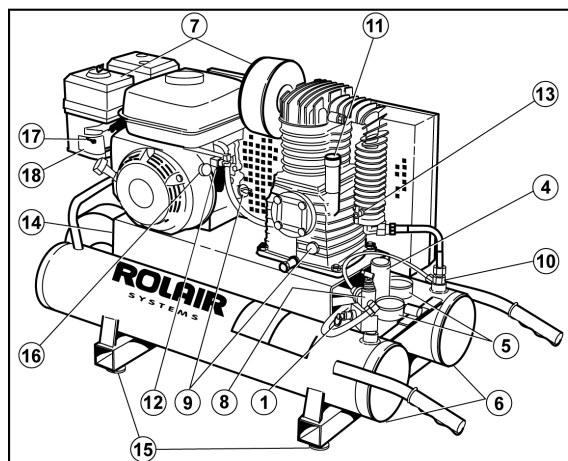
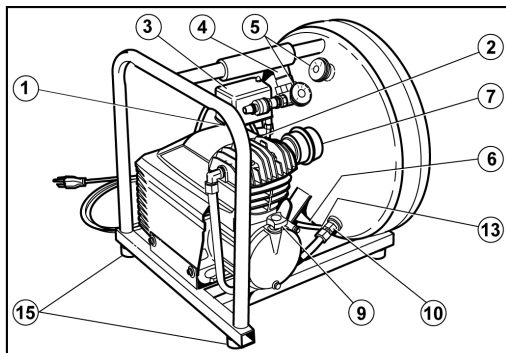
Cable positivo: AWG n°4 x 1,5 m (5 pies) máximo

Cable negativo: AWG n°4 x 2,3 m (7,5 pies) máximo

RECOMENDACIONES ROLAIR (PARA MOTORES EQUIPADOS CON ARRANQUE ELÉCTRICO)

- Siempre drene completamente la presión del tanque del compresor de aire y deje abierta la válvula de drenaje antes y después de arrancar el motor.
- Deje funcionar el compresor de aire, con el drenaje del tanque abierto durante 30-40 segundos, antes de cerrar el drenaje, para aumentar la presión dentro del tanque, y haga correr el motor en un ciclo entre la aceleración máxima y el ralentí.
- Localice e instale los capuchones de los terminales de la batería (fundas) sobre los terminales y sobre el poste abierto (+) del solenoide de arranque. Para ver ejemplos de los tipos de capuchones de terminales a utilizar, por favor busque en la red los siguientes números de piezas: 444L8V02 ó 444R8V02 (poste I o D rojo aislante), 444L8V14 ó 444R8V14 (poste I o D negro aislante) y 470N9V02 (funda aislante, terminal de arranque).
- El uso de los capuchones de terminales de batería (fundas) es requerido por Honda para proteger los terminales y los postes contra cortocircuitos accidentales que puedan ocasionar un incendio, y para reducir la exposición a la humedad y a los residuos que corroen prematuramente los terminales y los postes.

CONTROLES DEL SISTEMA



(1) VÁLVULA DE SEGURIDAD Cada compresora de aire ROLAIR está equipada con una válvula de seguridad que está diseñada para descargar la presión de descarga del tanque a un valor predeterminado cuando se presenta una falla en el sistema. Revise diaria la válvula de seguridad jalando el anillo solamente cuando se haya drenado completamente la presión del tanque. La válvula de resorte se deberá mover libremente dentro del cuerpo de la válvula de seguridad. Una válvula de seguridad no operativa puede permitir la acumulación de presión excesiva en el tanque, causando la rotura violenta o explosión del tanque de aire.



No altere la válvula de seguridad ni intente eliminarla.

(2) SOBRECARGA MANUAL/REINICIO DEL MOTOR Cada compresora de aire eléctrica ROLAIR está fabricada con protección de sobrecarga manual. Si el motor se sobrecalienta, el sensor de sobrecarga *accionará* el botón de reinicio para proteger el motor. Si esto ocurre, deje que el motor se enfríe durante aproximadamente cinco minutos. Localice y presione el botón de reinicio. El uso de un cable de extensión de calibre pequeño o de longitud excesiva podría ser la causa del sobrecalentamiento. Reevalúe la fuente de alimentación y el calibre o la longitud del cable de extensión que utiliza. (Consulte la tabla en la página 26)

(3) INTERRUPTOR DE PRESIÓN La mayoría de las compresoras de aire eléctricas funcionan mediante el uso de un interruptor de presión. Siempre asegúrese de que la palanca se encuentre en la posición de "Apagado" antes de conectar el cable de alimentación. Al mover la palanca a la posición de "Encendido/Automático", la compresora arrancará y se apagará automáticamente dentro de los valores del interruptor de presión que normalmente son de 105 a 130 psi (724 a 896 kPa). No trate de apagar la compresora desconectando el cable de alimentación. Para apagarla, simplemente mueva la palanca a la posición de "Apagado". La palanca acciona una válvula de seguridad que libera la presión del cabezal y permite que la compresora se reinicie sin carga la siguiente vez que se utilice.

(4) REGULADOR: PRESIÓN OPERATIVA Para ajustar la presión de línea/salida, levante la perilla de ajuste del regulador y gírela en el sentido de las manecillas del reloj para aumentar la presión operativa o en sentido contrario para reducirla. Presione la perilla de ajuste nuevamente hacia abajo para fijar el valor. Nunca supere la capacidad nominal de presión máxima permitida del fabricante de la herramienta que se utiliza o del artículo que se infla.

(5) MEDIDORES DE PRESIÓN Normalmente, la mayoría de las compresoras están diseñadas con un medidor que mide la presión de almacenamiento o del tanque y otro medidor conectado al regulador que indica la presión operativa o de salida.

(6) VÁLVULAS DE DRENADO Hay una o más válvulas de drenado instaladas que permiten drenar diariamente la humedad de los tanques de almacenamiento de la compresora. Abra las válvulas con cuidado y lentamente para evitar que escamas, óxido o residuos salgan disparados a gran velocidad.

CONTROLES DEL SISTEMA (continuación)

(7) FILTRO DE ADMISIÓN DE AIRE Los filtros de admisión de aire se instalan para evitar que se introduzca materia extraña al motor o a la bomba de la compresora. Revise los elementos de la admisión diariamente y límpielos o reemplácelos si es necesario. Se puede usar agua jabonosa tibia o aire comprimido a baja presión para limpiar los elementos. Revise los recipientes de entrada o los codos en busca de grietas o sellos rotos y reemplácelos si encuentra problemas estructurales.

(8) VÁLVULA DE DESCARGA DE PILOTO Se usa una válvula de descarga de piloto en todas las unidades a gasolina y se pueden usar en compresoras de aire eléctricas para funcionar de manera continua. Cuando el tanque de almacenamiento alcanza el valor de presión máxima de la válvula piloto, el aire comprimido se descarga en la atmósfera y no en el tanque de almacenamiento. Cuando la presión del tanque disminuye por debajo del valor de presión mínima de la válvula piloto, el aire comprimido se desvía al tanque de aire. No trate de reemplazar la válvula piloto sin drenar primero completamente la presión del tanque. Consulte la figura 3 para obtener instrucciones de ajuste y de afinación. No ajuste los valores de manera que estén fuera de las siguientes recomendaciones de fábrica.

Clasificación	Valor de presión
Compresora de acción directa	105-130 psi (724 a 896 kPa)
Compresora de etapa I	110-135 psi (758 a 931 kPa)
Compresora de etapa II	130-150 psi (896 a 1034 kPa)

(9) INDICADOR/VARILLA DE MEDICIÓN DEL NIVEL DE ACEITE Antes de la operación diaria, tenga el hábito de revisar el nivel de aceite de la bomba y el motor de la compresora (si la compresora funciona a gasolina). Todas las compresoras de aire de mano de acción directa tienen una varilla de medición del nivel de aceite que facilita la revisión y el mantenimiento del nivel de aceite adecuado. La varilla de medición del nivel de aceite también funciona como ventilación del cárter. Nunca haga funcionar una unidad de acción directa sin la varilla de medición del nivel de aceite que recibió de la fábrica. Nuestras compresoras de aire accionadas por correa están equipadas con un indicador que facilita la tarea diaria de revisar el nivel de aceite. Siempre mantenga el nivel de aceite en 2/3 del total del indicador.

(10) VÁLVULA DE RETENCIÓN Todas las compresoras de aire ROLAIR están fabricadas con una válvula de retención que sella y mantiene la presión del tanque después de haber alcanzado el valor de presión máxima de la válvula piloto o del interruptor de presión. La válvula de retención funciona en combinación con la válvula de seguridad del interruptor de presión para proporcionar un arranque sin carga a la compresora. Una breve ráfaga de aire que escapa de la válvula de seguridad del interruptor de presión después de que la unidad alcanza el valor máximo indica que la válvula de retención funciona correctamente. Si, después de detenerse, la compresora tiene una fuga misteriosa que no se puede encontrar en otra parte, es posible que la válvula de retención requiera una reparación o un reemplazo.

(11) RESPIRADERO/TAPÓN DE LLENADO DE ACEITE Todas las bombas de las compresoras de aire recíprocantes incluyen una ventilación de cárter que alivia la presión que se acumula debido al movimiento descendente del pistón en el cilindro de la bomba. Nuestras compresoras de aire de acción directa expulsan la presión del cárter a través de puertos especiales en la varilla de medición del nivel de aceite. Nuestras unidades accionadas por correa respiran a través del tapón de llenado de aceite. Nunca haga funcionar una compresora de aire sin la varilla de medición del nivel de aceite o sin el tapón de llenado de aceite.

(12) CONTROL DE RALENTÍ AUTOMÁTICO Todas las compresoras de aire a gasolina ROLAIR incluyen un kit de control de ralentí de motor que disminuye automáticamente la velocidad del motor cuando se alcanza el valor de presión máxima de la válvula de descarga de piloto. El valor de r.p.m. máximo del motor lo establece la fábrica para proporcionar el rendimiento y la vida útil máximos. No altere el valor de r.p.m. máximo del motor establecido por la fábrica. La velocidad de ralentí del motor se establece en la fábrica y se controla mediante un destornillador de cabeza Philips de plástico en el carburador. Puede ser necesario aumentar ligeramente la velocidad de ralentí cuando se utiliza en bajas temperaturas. Gire el tornillo en el sentido de las manecillas del reloj en incrementos de 1/4 de vuelta para aumentar la velocidad de ralentí. Si el valor de la velocidad de ralentí es demasiado bajo, se producirá una falla prematura de la bujía.

(13) VÁLVULA DE ARRANQUE EN FRÍO La mayoría de las compresoras de aire de acción directa tienen una válvula automática de arranque en frío que permite que el motor o la bomba se calienten antes de verse sometidos a la presión del tanque. Nuestras unidades portátiles accionadas por correa tienen una válvula de drenado manual instalada en el postenfriador de la bomba que ayuda en los arranques a bajas temperaturas. Abra la válvula de drenado y deje que el motor y la bomba funcionen *descargados* durante un minuto para calentarse. Cierre la válvula de drenado y repita el procedimiento si el motor tiene dificultades.

(14) DISPOSITIVO TENSOR DE CORREAS SCHMIDT (SOLO PARA UNIDADES A GAS) Todas las compresoras de aire portátiles a gas accionadas por correa ROLAIR tienen un sistema exclusivo para mantener la tensión adecuada de la correa. Afloje las contratueras de 1/2 pulgada (1.27 cm) (sólo hasta que las arandelas debajo de ella giren libremente) que sujetan el motor y gire el perno de rosca fina que se encuentra en el extremo del volante de la placa base en el sentido de las manecillas del reloj hasta alcanzar la tensión deseada de la correa. (Consulte el dibujo en la sección de instrucciones operativas para conocer la tensión adecuada) Vuelva a ajustar las contratueras de 1/2 pulgada (1.27 cm) para sujetar el motor y mantener el valor de tensión deseada de la correa.

(15) AMORTIGUADORES DE VIBRACIÓN Las almohadillas de hule instaladas debajo de cada unidad de tanque portátil ROLAIR son muy importantes para el funcionamiento adecuado de la compresora de aire. Proporcionan protección contra las vibraciones que, si no se controlan, podrían provocar daños a muchos componentes del sistema.

CONTROLES DEL SISTEMA (continuación)

(16) INTERRUPTOR DE PARO DEL MOTOR Se tiene instalado un interruptor de paro para apagar fácilmente el motor. No trate de mover la palanca de acelerador (como se describe en el manual del propietario de Honda) cuando apague el motor. La palanca de acelerador del motor está configurada en fábrica y está asegurada en un valor máximo de r.p.m. que brindará el máximo rendimiento y vida útil de toda la compresora de aire. El interruptor de paro se debe cambiar a la posición de “Encendido” antes de jalar la cuerda de rebobinado para arrancar el motor.

(17) AHOGADOR DEL MOTOR Mover la palanca del ahogador completamente a la izquierda (posición cerrada) ayudará a arrancar un motor frío. Consulte también las instrucciones de la válvula de arranque en frío (punto nº 13). Después del arranque, se debe mover la palanca del ahogador completamente a la derecha (posición abierta) para que el motor funcione correctamente. Si el motor se hace funcionar con la palanca del ahogador parcialmente cerrada, se producirá una falla de la bujía y la acumulación excesiva de carbón interno.

(18) VÁLVULA DE CIERRE DE COMBUSTIBLE La válvula de cierre de combustible se deberá mover a la posición de “Abierta” (completamente a la derecha) únicamente cuando el motor esté en funcionamiento. Siempre cierre el flujo de combustible moviendo la válvula de cierre completamente a la izquierda cuando el motor no esté en funcionamiento. No mueva ni transporte la compresora de aire con la válvula de combustible en posición abierta.

LISTA DE COMPROBACIONES PREVIAS AL INICIO

Lea el manual del propietario completamente. Asegúrese de comprender completamente todas las advertencias de seguridad, los sistemas de control y las instrucciones que se incluyen antes de tratar de hacer funcionar esta compresora de aire. Se han hecho todos los esfuerzos por ofrecerle la información necesaria para obtener muchos años de servicio confiable y sin problemas de su nueva compresora de aire. El uso correcto de la compresora de aire es su responsabilidad. Para obtener la máxima vida útil posible de la compresora de aire, siempre deberá tener presentes las siguientes instrucciones.

1. SIEMPRE HAGA FUNCIONAR LA COMPRESORA EN POSICIÓN NIVELADA

Las bombas que se lubrican por salpicadura tienen una varilla medidora en la parte inferior de la varilla de conexión que se debe mantener sumergida en el aceite. Hacer funcionar la unidad a un ángulo de más de 10 grados provocará que la bomba se obstruya, y esto anulará la garantía del producto.

2. UTILÍCELA EN UN ÁREA LIMPIA, SECA Y BIEN VENTILADA

Deje un espacio de al menos 18 pulgadas (45.72 cm) detrás de la protección de la correa para lograr un enfriamiento adecuado de la bomba con la corriente del volante. No haga funcionar la unidad bajo la lluvia o en áreas de agua estancada. Nunca la haga funcionar en un área en donde existan otros gases, humos o vapores que puedan explotar al comprimirse. No haga funcionar la compresora en un área cerrada.

3. REVISE DIARIAMENTE EL NIVEL DE ACEITE Y CÁMBIELO A INTERVALOS REGULARES

Consulte la sección de mantenimiento de este manual del propietario para conocer el tipo y viscosidad correctos del aceite que se debe usar y la frecuencia con la que se debe cambiar el aceite. Revise los niveles de aceite diariamente.

4. INSPECCIONE/LIMPIE/CAMBIE PERIÓDICAMENTE LOS ELEMENTOS DE ADMISIÓN

La introducción de suciedad en la bomba y el motor es la causa principal del desgaste prematuro. Ponga especial atención a los filtros de admisión. Revise diariamente los filtros de admisión.

5. UTILICE UNA MANGUERA DE AIRE DEL TAMAÑO ADECUADO EN VEZ DE CABLES DE EXTENSIÓN

Si es necesario usar un cable de extensión, consulte la tabla que aparece a continuación para conocer el calibre adecuado y la longitud máxima que se pueden usar. El uso de una manguera de aire del tamaño inadecuado también producirá caídas de presión por fricción que podrían afectar el rendimiento adecuado de sus herramientas neumáticas.

TABLA DE CABLES ELÉCTRICOS DE EXTENSIÓN		
Calibre mínimo del cable		
Extensión	Motor	Motor
Longitud del cable	1/2 y 3/4 caballos de fuerza	1, 1 1/2 y 2 caballos de fuerza
Hasta 25 pies (7.62 m)	14 galones (52.99 l)	12 galones (45.42 l)
25 a 50 pies (7.62 a 15.24 m)	12 galones (45.42 l)	10 galones (37.85 l)
50 a 100 pies (15.24 a 30.48 m)	10 galones (37.85 l)	12 galones (45.42 l)

6. NO UTILICE UN GENERADOR COMO FUENTE DE ALIMENTACIÓN

Las compresoras de aire utilizan motores inductivos que requieren consumir un amperaje de carga completa de 3 a 5 veces más para arrancar correctamente. La mayoría de los generadores no producirán la potencia necesaria para arrancar correctamente este tipo de motor eléctrico.

7. REVISE LA TENSIÓN DE LOS PERNOS, LAS CORREAS Y LOS ACCESORIOS PERIÓDICAMENTE

Utilizar cualquier equipo con pernos o conexiones flojos producirá una vibración excesiva y la falla prematura de los componentes de control de la compresora.

LISTA DE COMPROBACIONES PREVIAS AL INICIO (continuación)

8. MANTENGA LAS ALMOHADILLAS ANTIVIBRACIÓN DE HULE

La vibración excesiva es una causa principal de fallas prematuras de la compresora. Siempre mantenga las almohadillas antivibración de hule colocadas debajo de la unidad de tanque. Usar la unidad sin ellas anulará la garantía.

9. **DRENE DIARIAMENTE LA HUMEDAD DE LOS TANQUES DE AIRE**

El agua es un producto derivado natural del aire comprimido. Drene los tanques de aire después de cada uso a fin de combatir la corrosión interna de los mismos. Mantenga cerradas las válvulas de drenado si va a guardar la compresora durante algún tiempo.

10. **NO MODIFIQUE EL VALOR DE R.P.M. DE FÁBRICA DE LAS COMPRESORAS A GASOLINA.** El brazo del acelerador está configurado en la fábrica y asegurado en su posición a las r.p.m. que proporcionarán el máximo rendimiento, consumo de combustible y vida útil. Si modifica este valor la garantía quedará anulada.

OPERACIÓN

ADVERTENCIA: Su seguridad y el bienestar de otros durante la operación de todas las compresoras ROLAIR es nuestra principal preocupación. No haga funcionar la compresora de aire, ni permita que nadie más lo haga, hasta que haya leído y comprendido completamente la información de este manual. Comuníquese con su distribuidor o con nuestro departamento de servicio al cliente si tiene alguna pregunta acerca del uso correcto de su compresora de aire.

CONDICIONES HÚMEDAS: No opere su compresor en condiciones húmedas o mojadas, o después de haber estado expuesto a la lluvia, aguanieve, hielo, nieve o humedad de cualquier tipo. El incumplimiento de esta advertencia puede ocasionar descargas eléctricas y/o formación de hielo y óxido en componentes críticos, tornando peligrosa la operación del compresor. Siempre opere y/o guarde el compresor en un sitio limpio y seco con buena ventilación.

ELÉCTRICA DE ACCIÓN DIRECTA

Asegúrese de que la compresora de aire esté lista para funcionar revisando los temas y la información que se ofrecen en la sección “Lista de comprobaciones previas al arranque” de este manual. Abra lentamente el drenado del tanque para eliminar cualquier condensación que se haya acumulado y mantenga el drenado abierto durante unos cuantos segundos después de arrancar la unidad de motor/bomba para calentarla. Asegúrese de que la palanca del interruptor de presión esté en la posición de “Cerrado” antes de conectar el cable de alimentación en una toma de corriente con conexión a tierra. Mueva la palanca del interruptor de presión a la posición “Encendido/Automático” para acumular y mantener automáticamente el valor de presión máxima del tanque. Gire la perilla de ajuste del regulador en sentido contrario al de las manecillas del reloj hasta que el medidor integrado indique 0 psi (0 kPa) antes de conectar la manguera de aire y el accesorio. Establezca la presión operativa girando la perilla de ajuste del regulador en el sentido de las manecillas del reloj en presión operativa de acuerdo con las especificaciones que proporciona el fabricante de la herramienta. Siempre use la palanca del interruptor de presión “Encendido (automático)/Apagado” para arrancar o apagar la compresora de aire. **Nunca** detenga la compresora desconectándola de la fuente de alimentación. Guarde la compresora en un lugar tibio y seco y realice el mantenimiento como se indica en el manual.

ELÉCTRICA ACCIONADA POR CORREA

OPERACIÓN DE ARRANQUE/APAGADO:

Siga los mismos procedimientos descritos anteriormente para usar las compresoras eléctricas de acción directa. Abra la válvula de drenado ubicada en el postenfriador de la bomba para arrancar en frío. El motor eléctrico accionado por correa no deberá someterse a más de 15 arranques por hora. Consulte al distribuidor o a cualquier centro de servicio autorizado de ROLAIR para obtener información acerca de un kit de conversión si experimenta dificultades de accionamiento del dispositivo de sobrecarga del motor debido a una cantidad excesiva de arranques por hora.

FUNCIONAMIENTO A VELOCIDAD CONSTANTE:

Se debe usar una velocidad constante o funcionamiento continuo durante periodos de uso intenso para extender la vida útil del motor y evitar sobrecalentamientos. **Si la máquina está fabricada para funcionar solo continuamente, se deberá poner atención especial para arrancar y apagar la máquina de manera segura. Siempre desactive la electricidad de la toma de corriente desde el interruptor principal o el interruptor opcional de encendido y apagado antes de conectar o desconectar el cable de alimentación.** También se recomienda enfáticamente que complete el drenado de los tanques de almacenamiento y que abra la válvula de drenado del postenfriador antes de arrancar la unidad, en particular cuando se utilice en bajas temperaturas. **Nunca apague la compresora jalando del enchufe para sacarlo de la toma de corriente. Use el interruptor o el interruptor opcional de encendido y apagado para desactivar primero la electricidad de la toma de corriente.**

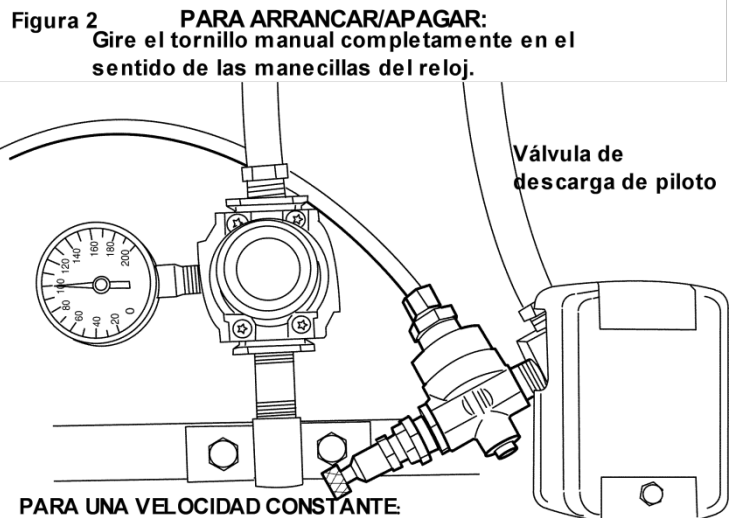
FUNCIONAMIENTO DE DOBLE CONTROL:

Los controles dobles permiten cambiar fácilmente de un funcionamiento de arranque y apagado a uno continuo, y viceversa. Consulte la figura 1 para obtener instrucciones para cambiar el funcionamiento de arranque y apagado a una velocidad constante. Siempre cambie la palanca del interruptor de presión a la posición de “apagado” antes de conectar o desconectar el cable de alimentación.

OPERACIÓN (continuación)

CICLO DE OPERACIÓN:

Todas las compresoras de aire accionadas por correa ROLAIR están equipadas con motores y bombas con ciclo de operación S1 o del 100 %. Si tiene una ventilación y energía eléctrica adecuadas, su compresora ROLAIR puede funcionar continuamente si la configura para que



funcione a una velocidad constante. Sin embargo, una cantidad excesiva de arranques por hora puede generar suficiente calor para sobrecargar el motor. Comuníquese con el departamento de servicio al cliente en nuestra fábrica si los problemas de sobrecarga ocurren reiteradamente.

Varias máquinas de acción directa ROLAIR, modelos FC1500HBP2, FC1500HS3 y JC10, están clasificadas para un ciclo de operación del 70 %. Si se somete una compresora a un funcionamiento continuo, la sobrecarga interna apagará el motor y únicamente se reiniciará cuando se haya enfriado lo suficiente.

DE GAS

Consulte los puntos 12, 16, 17 y 18 de la sección “Controles del sistema” de este manual para obtener información acerca del control automático de ralenti del motor, el interruptor de paro, el ahogador y la válvula de cierre de combustible. Tenga en cuenta también que el brazo del acelerador del motor está inmovilizado en un valor máximo de r.p.m. que proporcionará la máxima vida útil y no necesita moverse para arrancar o apagar la máquina. Puede encontrar más instrucciones en el manual del propietario del motor. Use la válvula de drenado que se encuentra en el postenfriador de la bomba o en el interenfriador para realizar arranques en frío. Ponga especial atención a evitar la introducción de suciedad y residuos en el tanque de combustible o la obstrucción del flujo de aire por el motor o por la bomba. Asegúrese de que el flujo de aire del regulador esté completamente cerrado (el medidor integrado indica 0 psi [0 kPa]) antes de conectar la manguera de aire y los accesorios. Es normal que se produzca un leve ruido de *siseo* debido al flujo de aire que se desvía a la atmósfera durante el ralenti del motor. Guarde la compresora en un lugar tibio y seco y realice el mantenimiento como se indica en los manuales.

TEMPERATURAS DE CONGELAMIENTO:

El mantenimiento del fluido apropiado y los procedimientos de calentamiento son obligatorios antes de intentar arrancar o de operar un compresor de aire en temperaturas de congelamiento. El agua, un subproducto natural del aire comprimido, puede transformarse en hielo e eventualmente bloquear el flujo de aire hacia adentro, a través y/o hacia afuera de la bomba, el/los tanque/s de aire y el/los conducto/s de aire. Drene los tanques y los conductos de aire después de cada uso y deje las válvulas de drenaje abiertas cuando el compresor no esté en uso. Si una parte o todo el compresor estuviera congelado, usted debe descongelarlo completamente antes de intentar arrancarlo. Aumente gradualmente la temperatura por encima del congelamiento y luego drene la humedad de los tanques de aire, los “intercoolers” y las trampas de agua.

Prácticas óptimas para uso en climas fríos:

- No intente arrancar un compresor congelado. Primero descongélelo completamente.
- Almacene su compresor de aire en un área limpia y seca que permanezca consistentemente por encima de temperaturas de congelamiento.
- Cambie el aceite de la bomba y del motor a un aceite de calidad adecuada para el invierno (vea el manual del dueño).
- Antes de arrancar, abra el/los drenaje/s del tanque y permita al compresor funcionar durante 45 a 60 segundos con el/los drenaje/s del tanque abiertos antes de cerrarlos, para aumentar la presión del tanque.
- También puede ser necesario usar un lubricante con fluido descongelante para evitar que sus conductos de aire se congelen o se bloqueen con hielo.
- Si tiene preguntas adicionales, por favor contacte a su concesionario ROLAIR o a nuestro departamento de servicio para el cliente en la fábrica.

FUNCIONAMIENTO A GRANDES ALTITUDES:

Debido a una disminución de la presión atmosférica, las bombas de las compresoras de aire producen menos CFM (pies³/min) a mayor elevación. Como regla general, la salida disminuirá aproximadamente un tres por ciento por cada 1000 pies (304 m) de elevación. Además, puesto que a mayor elevación el aire es menos denso y no se enfría tan bien, los motores eléctricos no pueden someterse a la capacidad completa de amperaje de factor de servicio de placa de identificación y es posible que deban acondicionarse para evitar el sobrecalentamiento reiterado.

Es posible que las compresoras de acción directa o de mano fabricadas con válvulas de arranque en frío deban modificarse al funcionar a mayor elevación. Es posible que los carburadores de las compresoras de aire a gasolina también deban cambiarse para que funcionen adecuadamente a mayor elevación. Comuníquese con el departamento de servicio al cliente en nuestra fábrica si su compresora de aire que normalmente funciona de manera confiable deja de funcionar correctamente a mayor elevación.

MANTENIMIENTO

Su nueva compresora de aire representa la mejor ingeniería y construcción que están disponibles. Hasta la mejor maquinaria requiere mantenimiento periódico. Aplique el cronograma de mantenimiento y considere las sugerencias siguientes para mantener su compresora en condiciones óptimas.

NOTA: Siempre desconecte o apague la compresora y drene los tanques de aire completamente antes de intentar dar cualquier tipo de mantenimiento. Espere a que la compresora se enfríe antes de darle servicio.

IMPORTANTE: Reemplace el aceite después de las primeras 50 horas de operación.

CONSEJOS DE MANTENIMIENTO:

- 1) Utilice una solución de agua jabonosa para revisar si hay fugas de aire.
- 2) Nunca limpie los filtros con un solvente inflamable.
- 3) Reajuste los pernos del cabezal sólo después de que la bomba se haya enfriado.
- 4) Mueva el motor 1/4 pulgada (0.63 cm) y vuelva a colocar las correas para aumentar la tensión de las mismas en las unidades eléctricas.
- 5) Nunca aplique soldadura en los tanques de aire.
- 6) Aplique calor para aflojar el sello Loctite en las válvulas de drenado, las poleas del motor y los volantes antes de tratar de quitarlo.

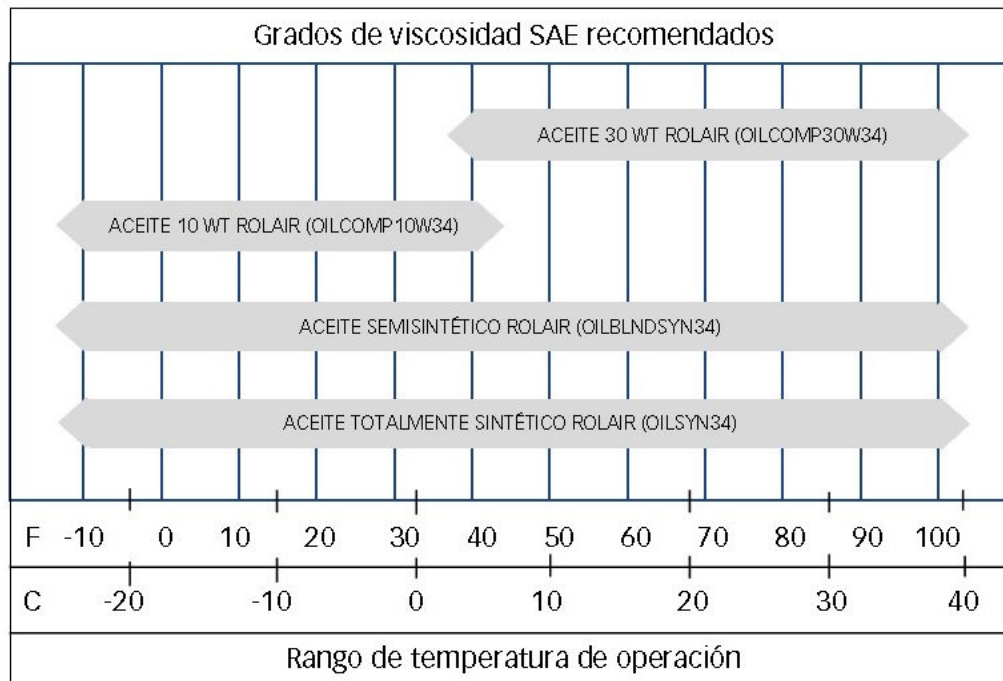
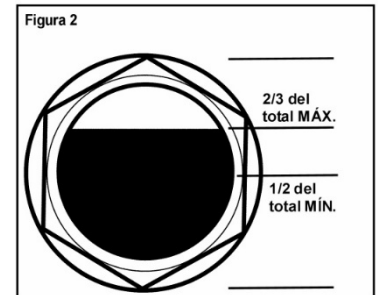
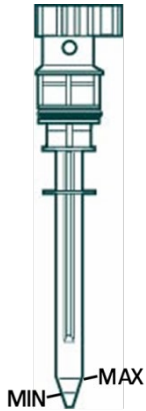
LUBRICACIÓN

Antes de cada uso, tenga el hábito de revisar el nivel de aceite de la bomba. La mayoría de las compresoras de aire de acción directa tienen una varilla de medición del nivel de aceite con marcas grabadas que indican los niveles mínimo y máximo aceptables de aceite. Nuestras bombas accionadas por correa tienen un indicador, que se encuentra en el exterior del cárter, para facilitar aún más la tarea. Siempre mantenga el nivel de aceite en la marca máxima de la varilla de medición del nivel de aceite o a 2/3 del total del indicador

No haga funcionar la bomba si tiene una cantidad inadecuada o excesiva de aceite. El costo de las fallas que ocurran debido a niveles de aceite incorrectos de aceite no estará cubierto por la garantía.

¡NO USE UN ACEITE DETERGENTE!

NOTA: La unidad deberá estar nivelada cuando esté funcionando



- El aceite 10 WT o 30 WT estándar ROLAIR debe cambiarse cada 200-400 horas después del período de asentamiento.
- El aceite semisintético ROLAIR debe cambiarse cada 1,000-2,000 horas.
- El aceite totalmente sintético ROLAIR debe cambiarse cada 2,000-4,000 horas.

MANTENIMIENTO (continuación)

CRONOGRAMA DE MANTENIMIENTO

Recomendación	Diariamente	Semanalmente	Mensualmente	Trimestralmente	Anualmente
Revisar nivel de aceite	X				
Drenar humedad de los tanques	X				
Inspeccionar filtros de aire	X				
Revisar si hay ruido o vibración inusuales	X				
Inspeccionar la protección de la correa	X				
Revisar si hay fugas de aire o aceite	X				
Limpiar el exterior de la compresora de aire		X			
Revisar la condición de las almohadillas antivibración		X			
Ajustar/reajustar los pernos		X			
Revisar la tensión de la correa		X			
Revisar el funcionamiento de la válvula de seguridad		X			
Cambiar el aceite de la compresora			X		
Limpiar/cambiar el filtro de aire			X		
Realizar una prueba de tiempo de bombeo			X		
Revisar el funcionamiento de los controles del sistema				X	
Revisar los tanques en busca de fugas o abolladuras				X	
Inspección del tanque por un inspector certificado					X

TABLA DE PARES DE TORSIÓN (PULGADAS/LIBRAS)

Tipo de bomba	De acción directa	K12	K17	K18	K24	K28	K30
Pernos del cabezal	96	243	243	243	243	347	347
Pernos del cilindro	120	182	182	182	182	330	330
Pernos del portacojinete	N/A	130	130	130	130	130	130
Pernos de la varilla de conexión	N/A	121.5	121.5	121.5	121.5	121.5	173.6
Tuerca de volante (Izquierdo hilo)	N/A	243	382	382	382	477	477

Determine el tipo de bomba mediante el sufijo o el número de modelo (ejemplo: 4090HK17 utiliza la bomba K17)

AJUSTE DE LA VÁLVULA PILOTO

NOTA: Debe ser realizado solamente por personal autorizado por la fábrica ROLAIR.
CÓMO RESTABLECER EL DIFERENCIAL (2)

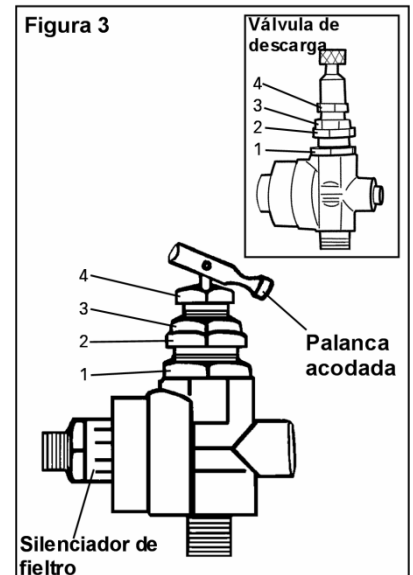
Asegúrese de que la palanca acodada superior esté colocada como se muestra. (Consulte la figura 3). Afloje la contratuerca (1) girándola varias vueltas completas en sentido contrario al de las manecillas de reloj. Cambie suavemente el valor del diferencial (2) en el sentido de las manecillas del reloj hasta que la varilla interna toque la bola de acero en el interior. Después de hacer contacto, gire el diferencial (2) en sentido contrario al de las manecillas del reloj 1/4 de vuelta. Asegure la posición ajustando la contratuerca (1) y prosiga con el valor máximo.

VALOR MÁXIMO (4)

Afloje la contratuerca (3) girándola varias vueltas completas en sentido contrario al de las manecillas de reloj. (4) es el valor máximo. Al girar (4) en el sentido de las manecillas del reloj aumentará el valor de presión máximo. Al girar en sentido contrario al de las manecillas del reloj disminuirá el valor de presión máximo. Comience con un valor bajo girando en sentido contrario al de las manecillas del reloj una vuelta completa. Prosiga con las instrucciones de afinación.

INSTRUCCIONES DE AFINACIÓN

Arranque el motor y observe el medidor de presión del tanque. Conforme la presión del tanque se acerque a los 100-130 P.S.I.G. (689 a 896 kPa de manómetro), la válvula piloto deberá comenzar a descargarse en el silenciador de fieltro y provocar que el motor a gasolina reduzca su velocidad hasta la velocidad de ralentí. Si la válvula piloto no se descarga cuando la presión del tanque se aproxima a 130 P.S.I.G. (896 kPa de manómetro), gire lentamente la perilla del valor máximo (4) en sentido contrario al de las manecillas del reloj hasta que el piloto comience a descargarse prematuramente (a 100 P.S.I.G. [689 kPa de manómetro]), gire la perilla del valor superior (4) en el sentido de las manecillas del reloj en incrementos de 1/4 de vuelta, dé golpes leves a la varilla interna en la conexión de la palanca acodada y repita la operación hasta alcanzar el valor máximo deseado. Si la válvula piloto comienza a hacer ruidos de pequeñas explosiones, afine el valor del diferencial (2) 1/16 de vuelta en cualquier dirección hasta que los ruidos cesen. Tras afinarlo, inmovilice la posición girando las contratuercas (1 y 3) en el sentido de las manecillas del reloj hasta que estén fijas. Mantenga la posición (2 y 4) en su sitio mientras gira las contratuercas para asegurarlas.



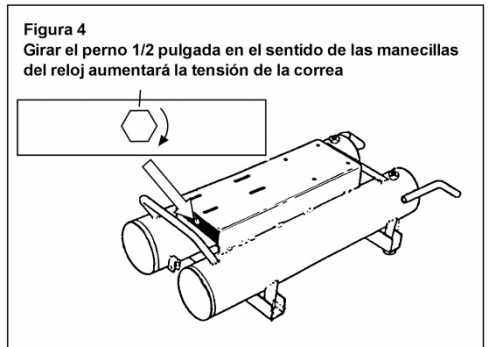
MANTENIMIENTO (continuación)

**DISPOSITIVO TENSOR DE CORREAS SCHMIDT
(SOLO PARA UNIDADES A GASOLINA)**

NOTA: Debe ser realizado solamente por personal autorizado por la fábrica ROLAIR.

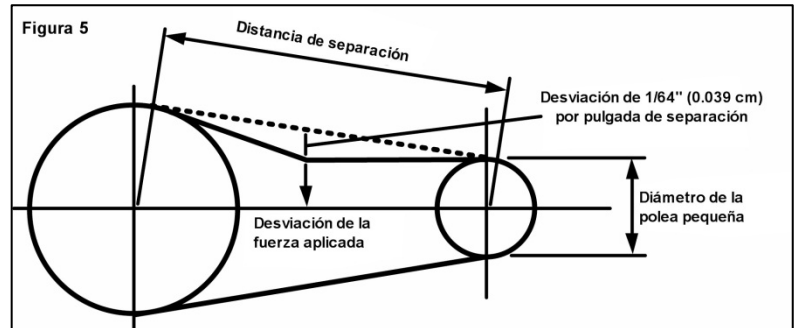
Para aumentar la tensión de la correa, realice lo siguiente:

1. Afloje las contratuercas de los pernos de sujeción del motor sólo hasta que las arandelas debajo de ellas puedan girar libremente.
2. Gire el perno de ajuste 1/2 pulgada (1.27 cm) en el sentido de las manecillas del reloj hasta alcanzar la tensión deseada. (Consulte la figura 4).
3. Vuelva a ajustar las contratuercas para asegurar el motor.



POLEAS DE TRANSMISIÓN

Las poleas de transmisión deben estar alineadas correctamente y la tensión de la correa de transmisión debe cumplir con las especificaciones. La incorrecta alineación de las poleas y tensión de la correa puede ocasionar una sobrecarga del motor, vibración excesiva y falla o desgaste prematuro de la correa. (Consulte la figura 5).



VALORES DE R.P.M. DEL MOTOR A GASOLINA

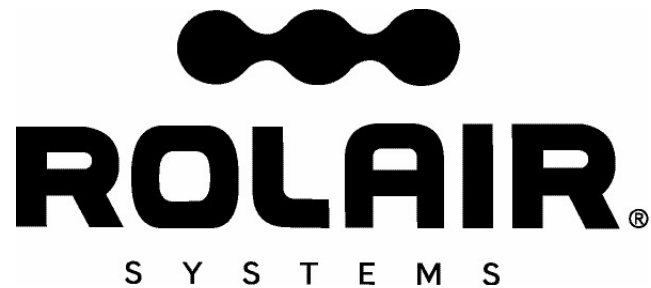
Modelo	R.p.m. máximas	R.p.m. en ralentí	R.p.m. de bomba
Serie 4090	2950	1900	1025
Series 1040 y 2040	2775	1900	1175
Serie 6590	3150	1900	1125
Series 8422 y 8230	3000	1900	900

NOTA: Las r.p.m. del motor (valores alto y bajo) han sido definidas en la fábrica para lograr la máxima eficiencia. Si ajusta las r.p.m. por encima de las especificaciones de fábrica, la garantía quedará anulada.

SOLUCIÓN DE PROBLEMAS

ADVERTENCIA: Asegúrese de entender completamente todas las advertencias de seguridad y el funcionamiento de cada componente de control del sistema antes de intentar cualquier mantenimiento o reparación. Siempre drene el tanque de presión completamente, asegúrese de que el cable de alimentación esté desconectado y que la unidad tenga tiempo de enfriarse antes de realizar cualquier operación de mantenimiento o servicio.

PROBLEMA	CAUSA	SOLUCIÓN
La bomba tarda en acumular presión en el tanque	Correa floja o que patina	Ajuste la tensión de las correas
	Fugas excesivas en el sistema	Repare las fugas de aire
	Empaquetadura rota	Reemplace las empaquetaduras del cabezal
	Válvula de lengüeta rota	Reemplace las válvulas de lengüeta
	Filtro de admisión obstruido	Limpie o reemplace el elemento de admisión
	Fuga en el regulador	Reemplace el regulador
	Válvula piloto defectuosa	Reemplace la válvula piloto
Consumo excesivo de aceite	Demasiado aceite en el cárter	Drene hasta alcanzar el nivel adecuado
	Viscosidad inadecuada del aceite	Reemplácelo por el aceite adecuado
	Ventilación del cárter obstruida	Reemplace la varilla de medición del nivel de aceite o el tapón de llenado de aceite/ventilación del cárter
	Filtro de admisión sucio o tapado	Limpie o reemplace el filtro de admisión
	Anillos de pistón desgastados	Lleve la unidad a reparación
	Cilindro rayado	Lleve la unidad a reparación
Ruido de golpeteo	Polea o volante flojos	Ajuste las partes correspondientes
	Correas flojas	Ajuste la tensión de las correas
	Problema interno de la bomba	Lleve la unidad a reparación
La compresora se sobrecalienta	Ventilación deficiente	Cambie la ubicación de la compresora
	Sentido de giro incorrecto de la bomba	Contacte a un electricista
	Problema interno de la bomba	Lleve la unidad a reparación
El motor eléctrico no funciona, ni siquiera emite un sonido	Accionamiento de la sobrecarga térmica	Localice y presione el botón de reinicio
	Dispositivo de reinicio roto físicamente	Reemplace el dispositivo de sobrecarga/reinicio
	Conectores del motor o conexión eléctrica flojos	Localice y corrija las conexiones eléctricas flojas
	Corto en el cable de alimentación	Reemplace el cable de alimentación
El motor acciona el botón de sobrecarga/reinicio	El motor arranca o se detiene excesivamente	Instale un kit de doble control o velocidad constante
	El dispositivo de sobrecarga es defectuoso o débil	Reemplace el dispositivo de sobrecarga
	Calibre inadecuado del cable de extensión	Utilice longitudes mayores de la manguera de aire o un cable más grueso
	Pernos de motor barridos o flojos	Vuelva a ajustar los pernos o reemplácelos si están barridos
	Grietas en el buje o la caja	Lleve la unidad a reparación
El motor a gasolina no arranca fácilmente	Bujía fallida, incorrecta o calibrada incorrectamente	Instale una bujía adecuada luego de calibrarla según las especificaciones de fábrica
	Nivel inadecuado de aceite del motor	Llene hasta la parte superior de las roscas para el tapón de aceite
	Viscosidad inadecuada del aceite de motor o bomba	Cambie a la viscosidad adecuada de aceite para la temperatura operativa
	Gasolina inadecuada o vieja	Lleve la unidad a reparación



Garantía

Associate Engineering Corporation garantiza que todas las compresoras ROLAIR estarán libres de defectos de material y mano de obra durante un periodo de 12 meses a partir de la fecha de la compra original al minorista, o 18 meses a partir de la fecha de fabricación, lo que ocurra primero.

Cuando se informe cualquier inconformidad del producto con esta garantía dentro del periodo mencionado, la empresa corregirá dicha inconformidad mediante la reparación correspondiente o, a su propia discreción, mediante una parte de reemplazo con cotización F.O.B. en nuestra fábrica, después de que el comprador haya enviado la compresora a nuestra planta con flete prepago.

Associate Engineering Corporation no será responsable de las reparaciones, reemplazos y ajustes de la compresora que no hayan sido autorizados, ni de los costos de mano de obra realizada por el comprador.

Esta garantía sustituye expresamente todas las demás garantías expresas, implícitas o legales (lo que incluye, entre otras, las garantías de comerciabilidad y de idoneidad para un fin específico) y todas las demás obligaciones y/o responsabilidades por parte de Associate Engineering Corporation. Associate Engineering Corporation tampoco asume, ni autoriza a otras personas para que asuman en su nombre, cualquier otra obligación o responsabilidad relacionada con cualquier compresora.

Associate Engineering Corporation no será responsable, en ningún caso, de los daños consecuentes, incidentales o especiales ni de la selección incorrecta de cualquier compresora para una aplicación específica.


Calidad

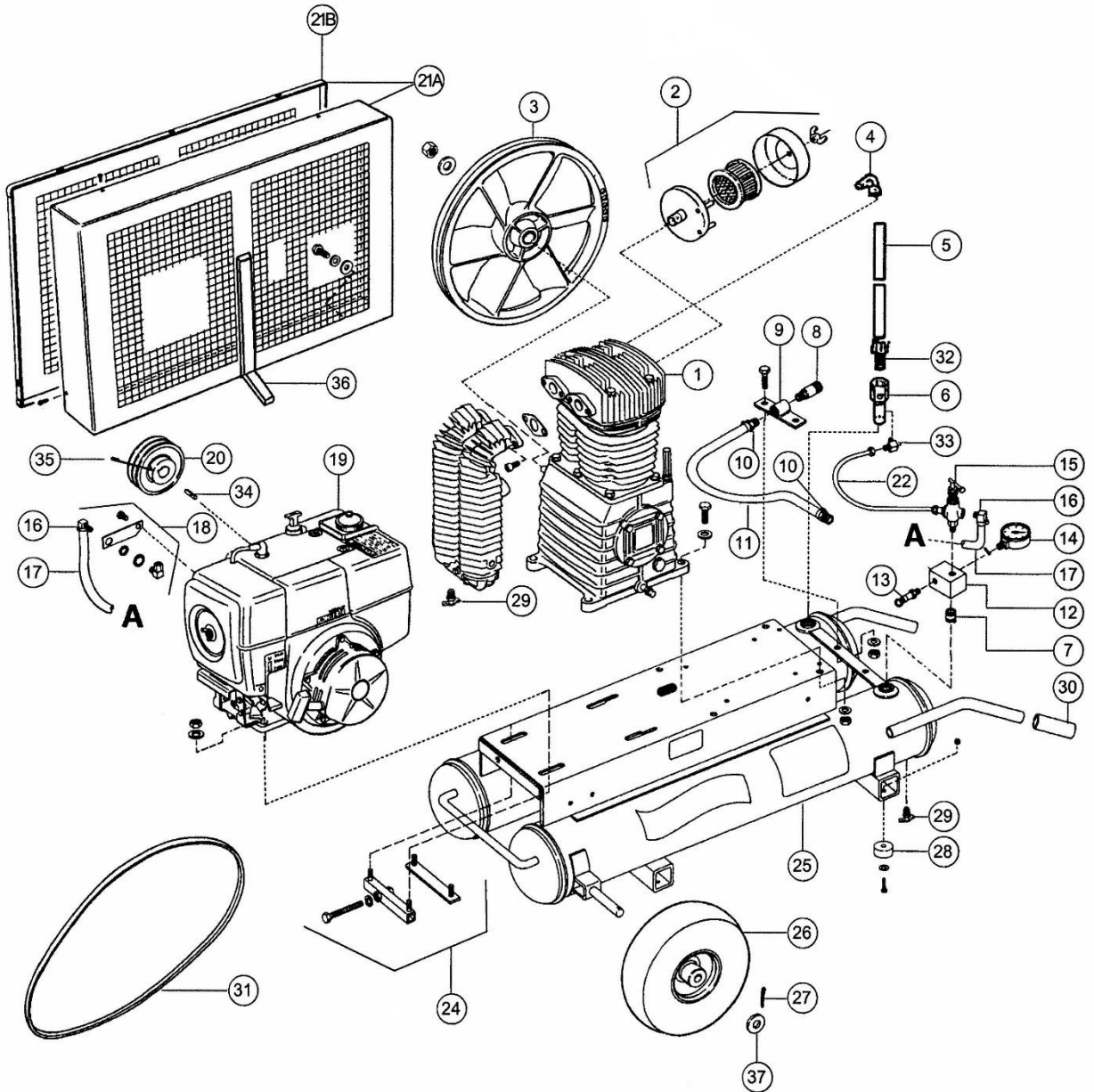
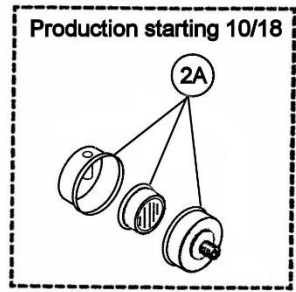
Associate Engineering Corporation está comprometida con el control de calidad continuo y la investigación exhaustiva de los productos que fabricamos. Nuestro propósito es brindarle a usted, el usuario, toda la experiencia e ingeniería disponible en la producción de cada pieza de equipo que producimos.

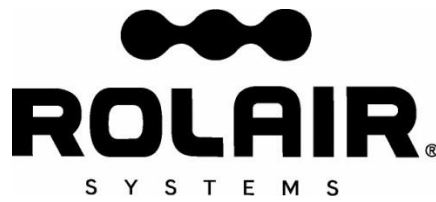
Nuestra línea cubre todas las necesidades del variado uso de aire de la actualidad. Confíe en ROLAIR para obtener las mejores y más recientes funciones que están disponibles en las compresoras modernas.



606 South Lake Street > P.O. Box 346 > Hustisford, WI 53034-0346 > 920.349.3281 > fax 920.349.8861 > www.rolair.com


ROLAIR[®]
 SCHEMATIC FOR MODELS
 7722HK28
 8422K30
 8422HK30





**PARTS LIST FOR MODELS
7722HK28 8422K30 8422HK30**

Sch #	Description	Part #	Qty.	Sch #	Description	Part #	Qty.	
1	II Stage Pump with Flywheel - Model 7722HK28	PMP22K28CH	1	15	Pilot Unloader Valve	131B	1	
	II Stage Pump less Flywheel - Model 7722HK28	PMP22K28CHLF	1	16	Brass Elbow	BREL0250X0125H16	2	
	II Stage Pump with Flywheel - Models 8422K30 & 8422HK30	PMP22K30CH	1	17	1/4" Rubber Hose – 36"	178	3'	
	II Stage Pump less Flywheel - Models 8422K30 & 8422HK30	PMP22K30CHLF	1		Hose Clamp	177B	2	
2	Intake Filter Assembly (before 10/18)	FS14075	1	18	Throttle Control Assembly – Kohler	191M8T	1	
	Filter Element for FS14075	431	1		Throttle Control Assembly - Honda	192EGX240QA	1	
	2A	Intake Filter Assembly (after 10/18)	FS10072	1	19	Kohler Engine	N.L.A.	
		Filter Element for FS 10072	433	1		Honda Engine	ENG09H01	1
3	Flywheel - Models 8422HK30 & 8422K30	31003040CH	1	Optional Engine Drain Extension for Above		HDE8	1	
4	Brass Elbow	BREL0750X075039	1	20	Pulley - Model 7722HK28	PU2AK54X1000	1	
	Model 7722HK28	31004620CH	1		Models 8422K30 & 8422HK30	PU2AK46X1000	1	
5	Discharge Tube - Model 7722HK28	7722HK28-DISCH TB	1	21A	Belt-Guard Assembly (Base & Cover)	BG8422K30ASSY	1	
	Model 8422HK30 – Honda*	8422HK30-DISCH TB	1		21B	Belt-Guard Cover	NLA	1
Model 8422K30 – Kohler*	8422K30-DISCH TB	1	10#-1/2" Sheet Metal Screw (current)	MIS10092		5		
6	Check Valve	CV4X4TA-A200	1	Spin-Lock Bolt (prior production)		MIS10094	5	
6	Safety Valve (1/8"***)	SRV0125A200	1	22	1/4" Copper Tubing – 12"	CTUBE14	1'	
	7	Nipple	BLNP0500X1500		1	24	Belt Tightener/Mounting Kit - Model 8422K30	SBT8HPKO-ANGLE**
8	Quick Disconnect	309A	1	Models 7722HK28 & 8422HK30	SBT8HPHO&KAK30-ANGLE**		1	
9	Accessory Bracket	210	1	25	Twin Tank Assembly		Specify Pump	1
10	Brass Coupler	BRCPO375X0375H12	2	26	Foam-Filled Flat-Free Tire	WLS50	2	
	3/8" Rubber Hose – 16"	178A	1.34'	27	Cotter Pin	181B	2	
11	Hose Clamp	177A	2	28	Rubber Foot	219	4	
	Aluminum Block Manifold	154	1	29	Drain Valve	132BV	3	
12	Safety Relief Valve	SRV0250A175	1	30	Handle Grip	328	2	
13	Gauge	GA0250300GC	1	31	Belt	BTA63	2	
				32	Brass Straight	BRST0750X050038	1	
				33	Brass Elbow	BREL0250X012539	1	
				34	Keystock	MIS10096C	1	
				35	Setscrew	MIS10020C	1	
				36	Field Kit-Belt Guard Bracket	BGB8K30	1	
				37	Washer	MIS10104	6	

As an added safety measure, belt driven models built after July 1, 2015 include additional safety valve on check valve.

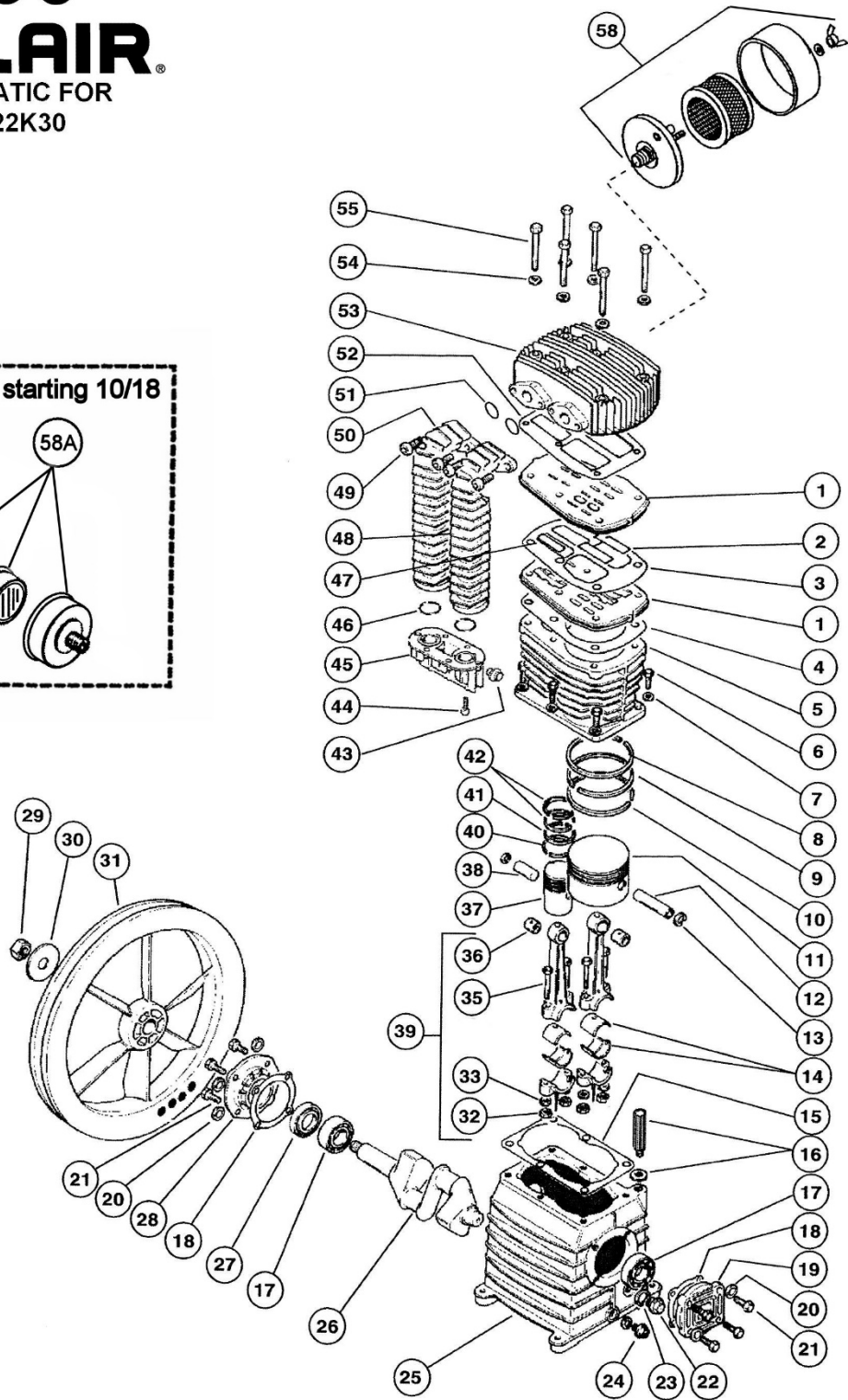
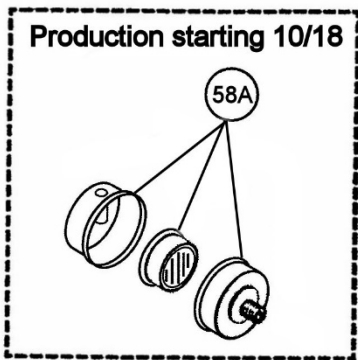
*Prior to January 1997, a discharge tube with a 90° bend was used in production. Please advise our Parts Department of the compressor's serial number when ordering this part.

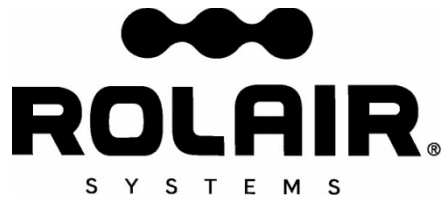
**For units built prior to February 2005, order SBT8HP-SQUARE or SBT8HPHO&KA17-SQUARE respectively.

***Safety valve not shown but may be ordered separately



ROLAIR
 SCHEMATIC FOR
 PMP22K30





PARTS LIST FOR PMP22K30

Sch. #	Description	Part #	Qty.	Sch. #	Description	Part #	Qty.
1	Valve Plate	32702750CH	2	36	Bushing*	31102250CH	2
2	Valve - LP	32702400CH	4	37	Piston - HP	31203050CH	1
3	Gasket	30502280CH	1	38	Piston Pin - HP	31202240CH	1
4	Gasket	30502290CH	1	39	Connecting Rod Assy.	31101990CH1	NLA
5	Cylinder	31602020CH	1		Connecting Rod Assy.**	311SL11005CH1	2
6	Bolt	37302420CH	6	40	Ring - HP	31202210CH	1
7	Washer	37504220CH	6	41	Ring - HP	31202200CH	1
8	Ring - LP	31202160CH	1	42	Ring - HP	31203390CH	2
9	Ring - LP	31202170CH	1	43	Plug	36506800CH	1
10	Ring - LP	31202180CH	1	44	Bolt	37302480CH	6
11	Piston - LP	31202190CH	1	45	Connector	3690211ACH	1
12	Piston Pin - LP	31202230CH	1	46	O-Ring	30502400CH	2
13	Snap Ring	37602260CH	4	47	Valve - HP	32702390CH	2
14	Bearing Shell (for 31101990CH connecting rod)	31102130CH	2	48	Right Intercooler	32902720CH	1
				49	Bolt	37302530CH	4
	Bearing Shell (for 311SL11005CH connecting rod)	3119013017CH	2	50	Left Intercooler	32902710CH	1
				51	O-Ring	30502500CH	2
15	Gasket	30502300CH	1	52	Gasket	30502270CH	1
16	3/8" Breather/Oil Fill Plug	36507050CH	1	53	Head	31302700CH	1
				54	Washer	37502320CH	6
17	Bearing	30302140CH	2	55	Bolt	37308060CH	6
18	Gasket	30502310CH	2	56	Bolt	37302530CH	2
19	Bearing Carrier	30402740CH	1	57	Aftercooler	32903730CH	1
20	Washer	37508130CH	8	58	Intake Filter Assembly (before 10/18)	FS14075	1
21	Bolt	37301140CH	8		Filter Element for FS14075	431	1
22	Sight Gauge (Includes 30500130CH Gasket)	36500140CH	1	58A	Intake Filter Assembly (after 10/18)	FS10072	1
23	Gasket	30500130CH	1		Filter Element for FS10072	433	1
24	Plug	BLSQPL0250	1	KITS			
25	Crankcase	33102030CH	1		Gasket Set (3,4,15,18,23,52)	K30GASKETS	1
26	Crankshaft	30202000CH	1		Ring Set (8,9,10,40,41,42)	K30RINGS	1
27	Oil Seal	30302150CH	1		Valve Plate Assembly (1,2,3,4,47,52)	3000VK30	1
28	Bearing Carrier	30402800CH	1		Piston Assembly – LP (8,9,10,11,12,13)	3000PLPK30	1
29	Nut	37403780CH	1		Piston Assembly – HP (13,37,38,40,41,42)	3000PHPK30	1
30	Washer	37502450CH	1		Valve Kit (2, 3, 4, 47, 52)	VKK30	1
31	Flywheel	31003040CH	1				
32	Nut	37402590CH	4				
33	Washer	17500230CH	4				
35	Bolt	37302460CH	4				

*Bushing is not machined to fit piston pin if ordered separate from connecting rod and must be bored to .005" over O.D. of piston pin after being pressed into place (For connecting rod with casting number of 31101990 only.)

**Has casting number of SL11165. Must order 311SL11005CH1 connecting rod assembly when replacing 31101990CH rod. Bearing shells used in 31101990CH and 311SL11005CH connecting rods are not interchangeable.

